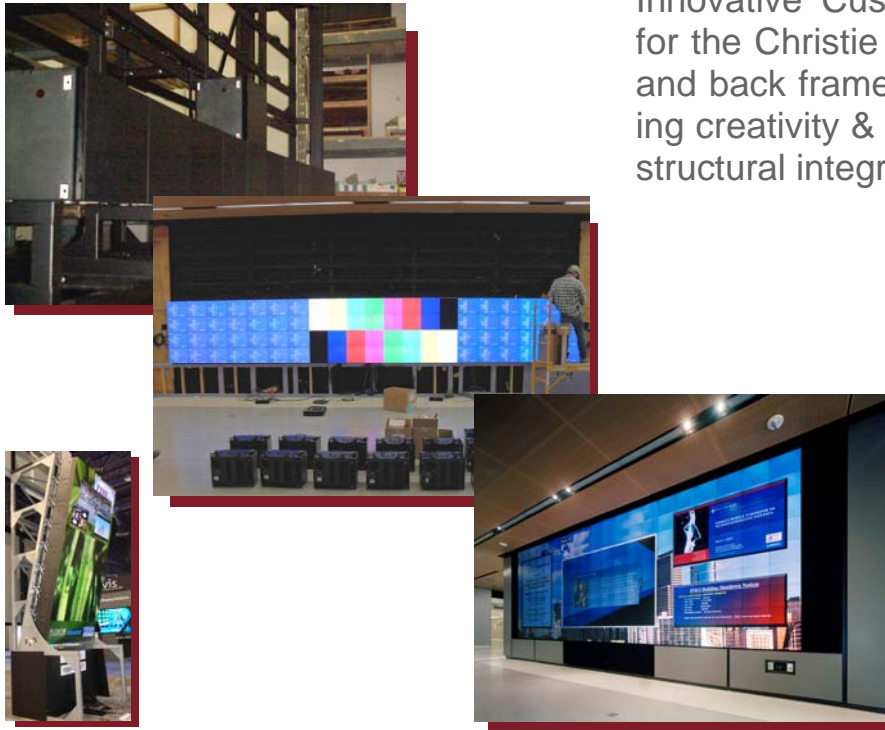


Matrix Displays for Christie MicroTile

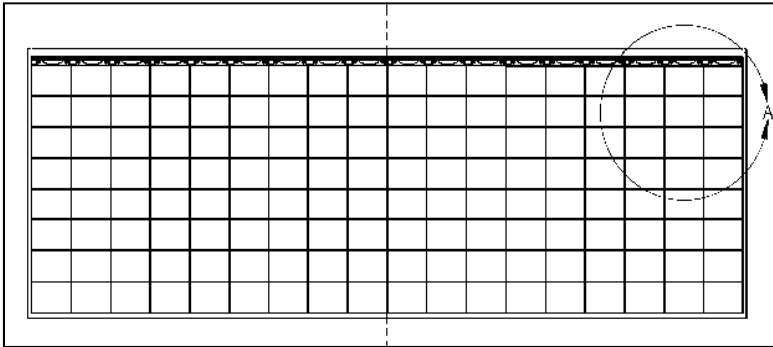
Innovative Custom Mounting Solutions for the Christie MicroTile. Modular base and back frame structures allow mounting creativity & innovation while insuring structural integrity and stability.



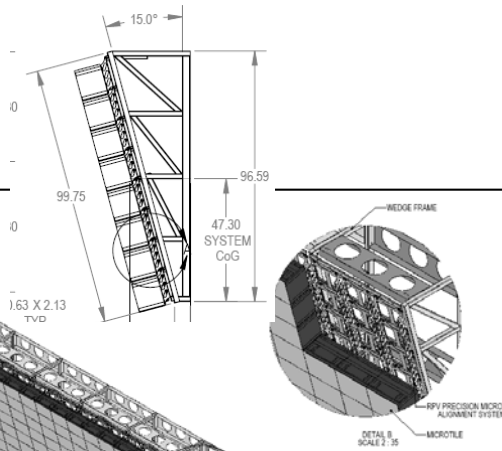
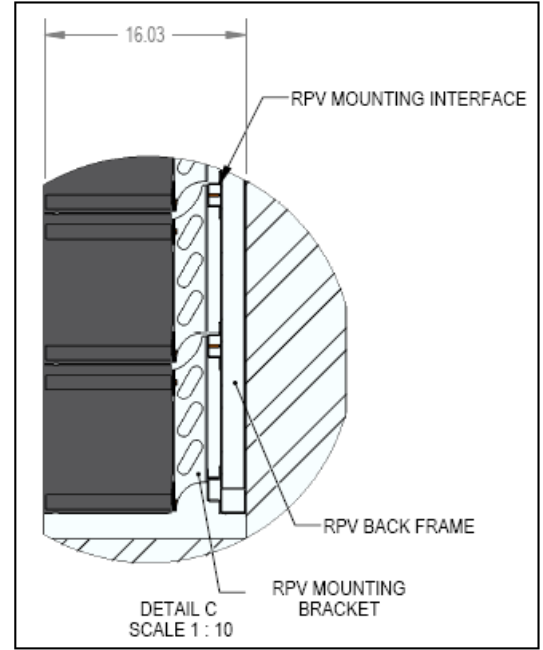
- 100% Custom Design
- Mounting Options are Unlimited
- Free Standing / Rolling / Suspended
- CNC Laser Fabrication
- Precision Formed Steel



Innovative Custom Mounting Solutions for the Christie MicroTile

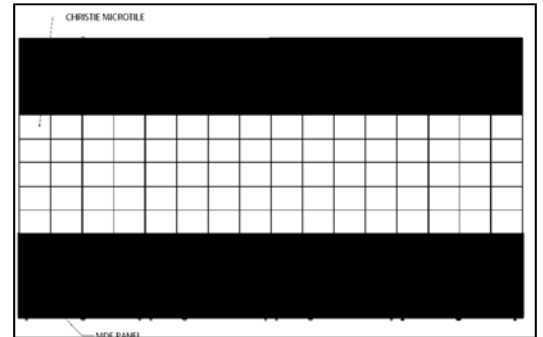
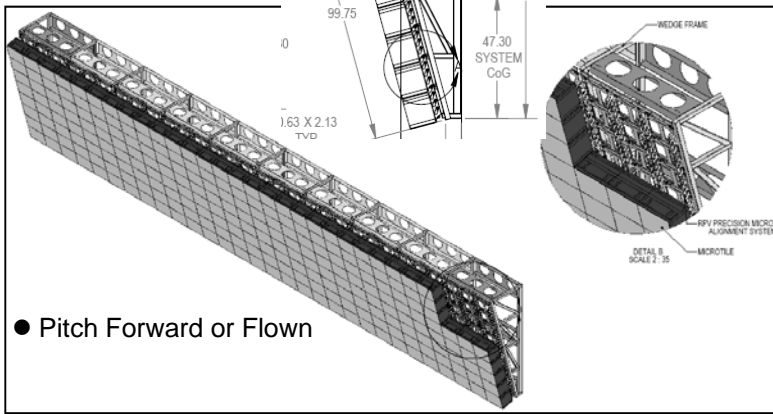


- Wall Mounted 6+ or higher

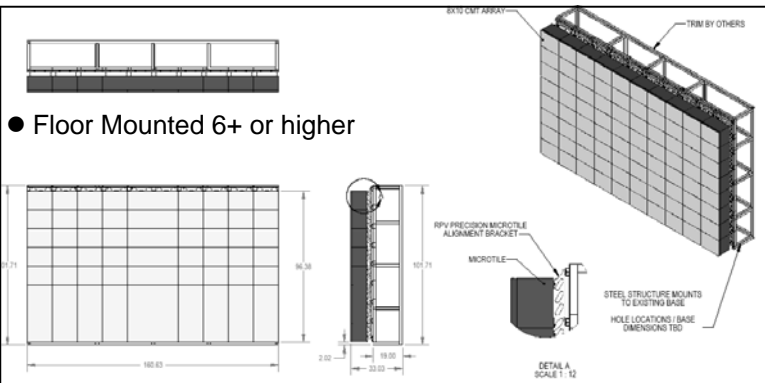


- Pitch Forward or Flown

- Pedestals & Faux Walls



- Curved Displays



- Floor Mounted 6+ or higher

