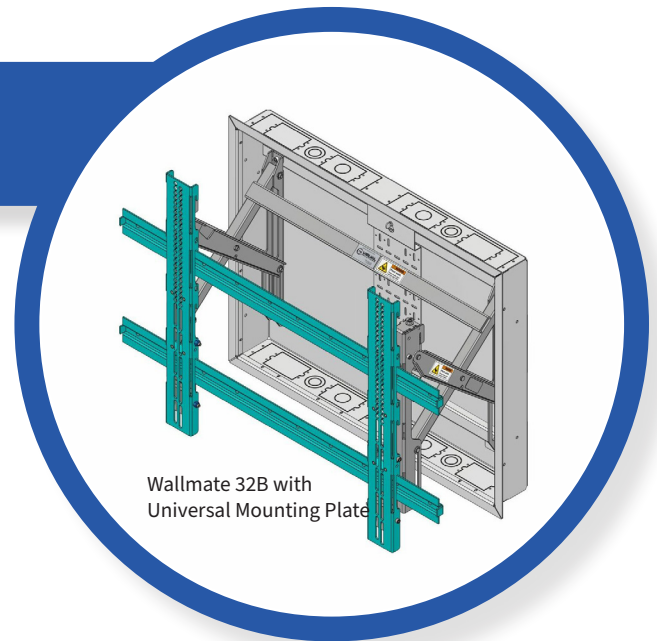


Wallmate 32B

Wallmate in-wall mounts integrate the back box, display mounting plate, and AV device mounting into a complete system while maintaining a thin panel-to-wall profile. Wallmate in-wall mounts are the new standard for flat panel mounting.



KEY BENEFITS

- Interchangeable compatible mounting plates can fit any display size or environment constraints.
- Mounts directly to studs to save time on construction.
- X-ARM systems supports weight without bending or flexing for a smooth open and close.
- Interchangeable peripheral device plates facilitate pre-testing and post-installation service.
- Steel back box includes electrical knock outs for conduit and single gang boxes.
- Expandable storage space using rear aux box.

MOUNTING AND CAPABILITIES

Wallmate uses an X-Arm (pull out) for ease of service and access. The Wallmate 32B can hold flat panels up to 300 lbs. while supplying you with a 24.1"W x 10.75"H x 4.13"D empty space capacity. If you need additional space, we have you covered with optional Aux Trays. These add a 12.524"W x 2.536"D x 7.321"H capacity for additional equipment. Each of the Aux Trays include ventilation slots and a conduit knockout.

PERIPHERAL DEVICE MOUNTING

Wallmate is designed for easy installation of signal processing and data routing components along with incoming and outgoing signal cabling. The peripheral mounting plate allows a quick exchange of electronics and therefore decreases time on site for both installation and support. Included knock-outs for single gang boxes allows for ample and easy coordination with other trades such as Electrical, IT, and AV.

NON-STANDARD DISPLAYS

Most displays with off-center VESA hole patterns vertically and/or horizontally, non-uniform backs (non -flat), and unique mounting hole locations are compatible with our Wallmate Universal mounting plate. We also have the capabilities to design and build an adapter to fit your display mounting needs.

SPECIFICATIONS

Min. Landscape Panel Size	55", may be covered by some 50" panels
XARM Opening distance (wall to back of display)	9.6"
XARM Closed Distance (wall to back of display)	1.49" (UNV) 0.6" (TNV)
Weight capacity	300#
Internal Mount Space X-ARM (WxHxD)	24.1" x 10.75" x 4.13"
BOX External Dimensions (WxHxD) – no trim	30.38" x 23.34" x 3.81"
BOX & Trim External Dimensions (WxHxD)	32" x 25" x 3.89"
Universal Mount Size	37.26" x 25.23" x 1.01"
1 Gang Box Positions (top)	4
2 Gang Box Positions (bottom)	4
Conduit Knock Outs (top)	4
Conduit Knock Outs (bottom)	4
Crestron Flex Capable	Yes
Weight	69 lbs.



1275 S. Lewis St. Anaheim, CA 92805
 (714) 991-6400
 info@rpvisuals.com