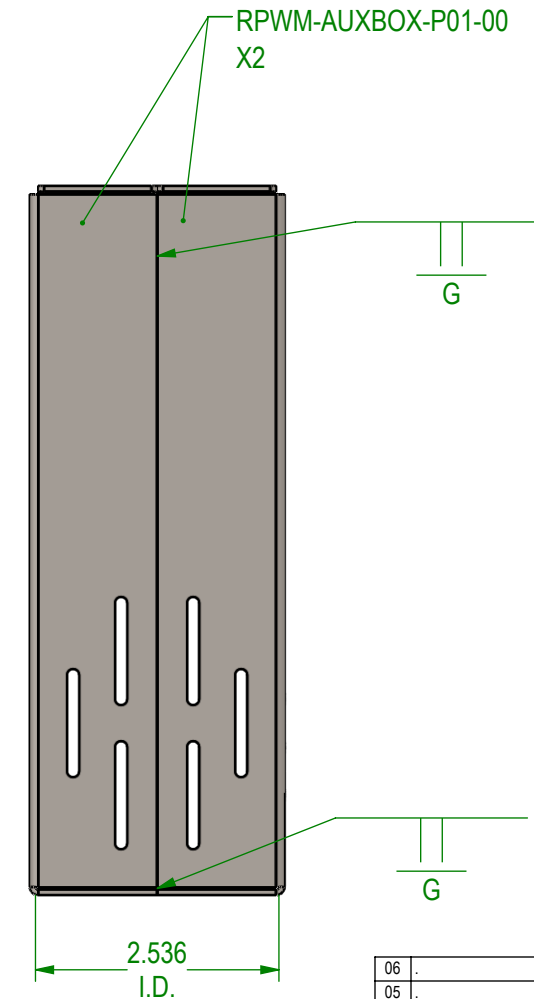
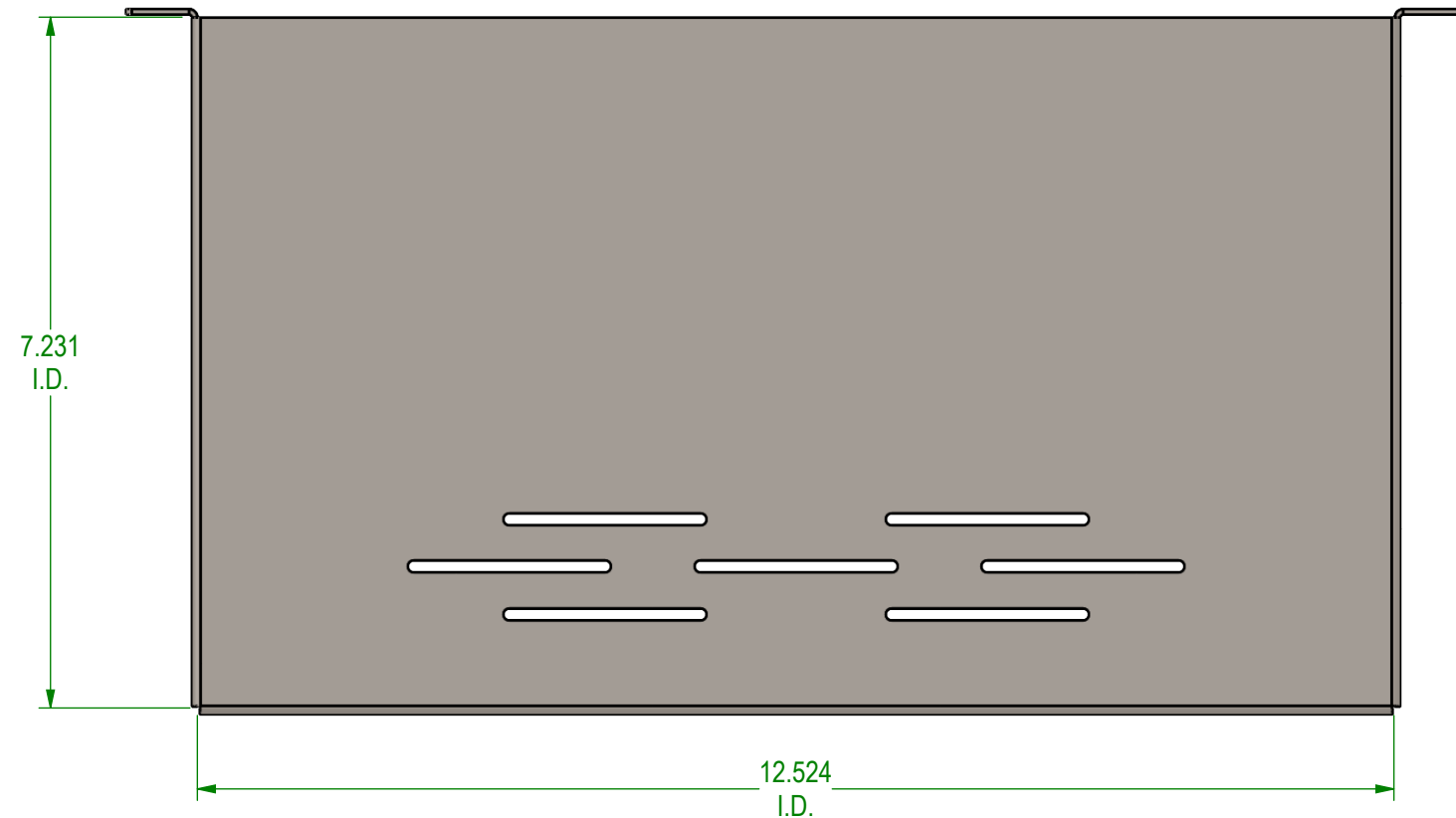
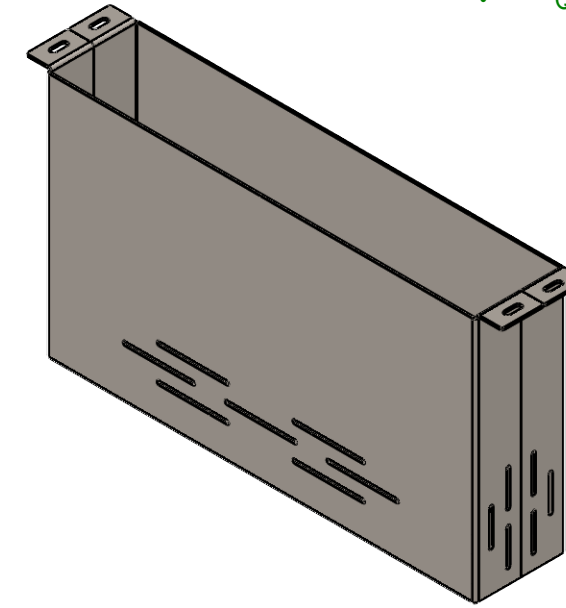
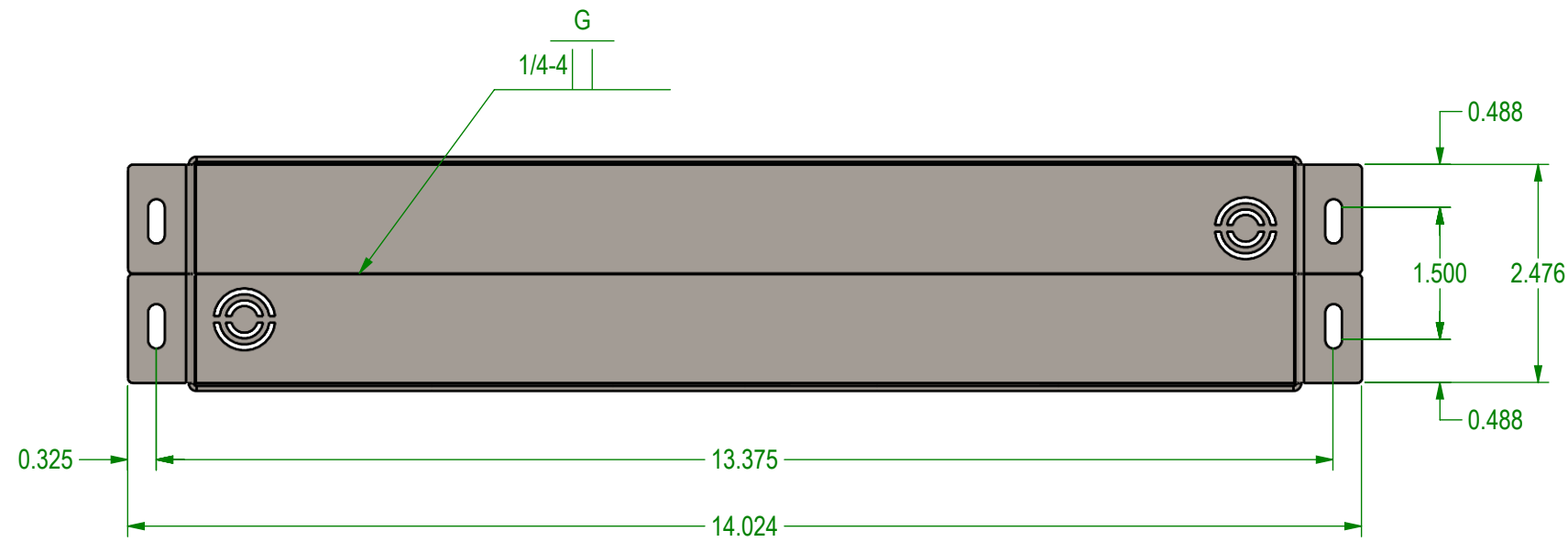



Part No.  
**RPWM-AUXBOX**

Description  
**AUXILIARY BOX WELDMENT**

MOUNTING HARDWARE PROVIDED BY RPV:  
 QTY: 4 / UNIT - #10 X 3/8" PHILLIPS ROUND HD SM SCREW

MATERIAL:  
 • QUANTITY: 1 WELDMENT / UNIT



06	.	.	.	.	.	.	.	.	.	DEALER
05	.	.	.	.	.	.	.	.	.	PROJECT
04	.	.	.	.	.	.	.	.	.	PRODUCT
03	.	.	.	.	.	.	.	.	.	WALLMATE STD
02	.	.	.	.	.	.	.	.	.	DWG. NO.
01	.	.	.	.	.	.	.	.	.	RPWM-AUXBOX
 1275 S Lewis St, Anaheim, CA 92805 P: 714-991-6400   C: 714-390-8572 www.rpvisuals.com										This drawing contains proprietary information owned or controlled by RPVisual Solutions and must not be used or disclosed without prior written authorization.
<b>APPROVED FOR FABRICATION</b>										DRAWN: HN CHECKED: XXX DATE: 1/21/2020
SIGNATURE										DATE
SIZE: B										SCALE: 1:2
SHEET: 1 OF 1										REVISION: 00

DIMENSIONS ARE IN INCHES  
 TOLERANCES ARE:  
 FRACTIONS: XX ± 1/32    DECIMALS: .XX ± .03    ANGLES: .X ± .5  
 XXX ± .010    .XXX ± .20