

This drawing contains proprietary information owned or controlled by RPVisual Solutions and must not be used or disclosed without prior written authorization

DIMENSIONS ARE IN INCHES
TOLERANCES ARE:
FRACTIONS DECIMALS ANGLES
X/X : ± 1/32 .XX : ± .03 X : ± .5
.XXX : ± .010 .XX : ± .20

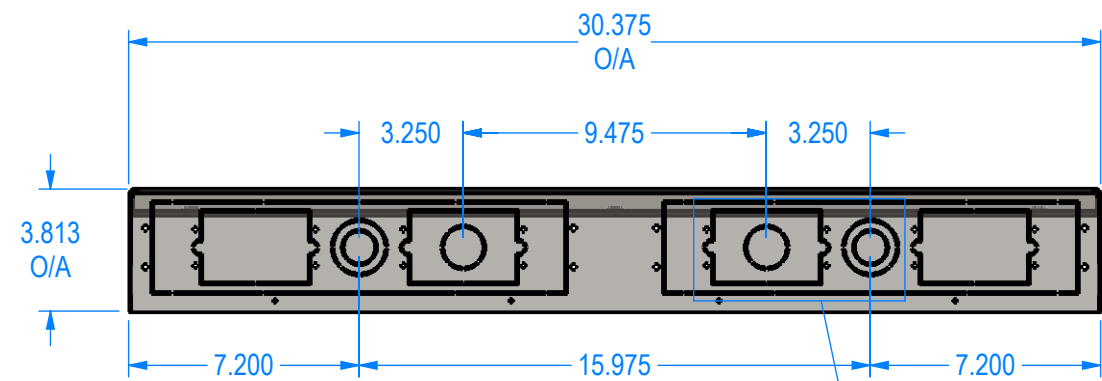
APPROVED FOR FABRICATION

SIGNATURE:

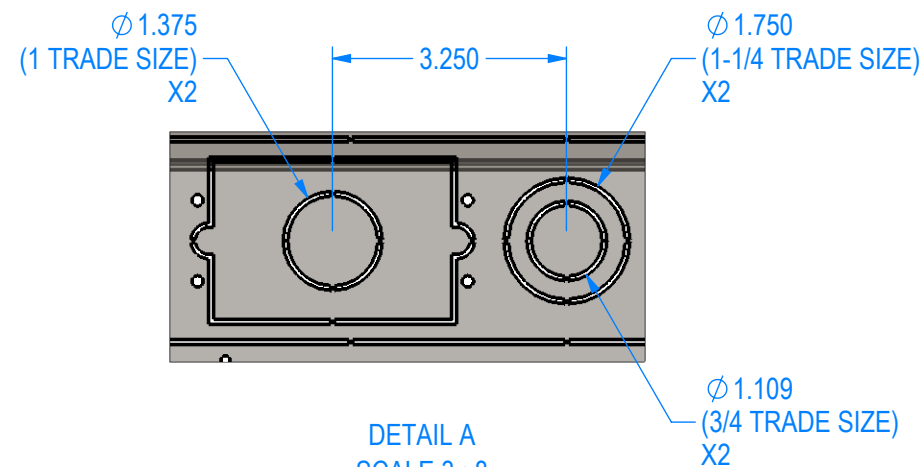
DATE:

NOTES:

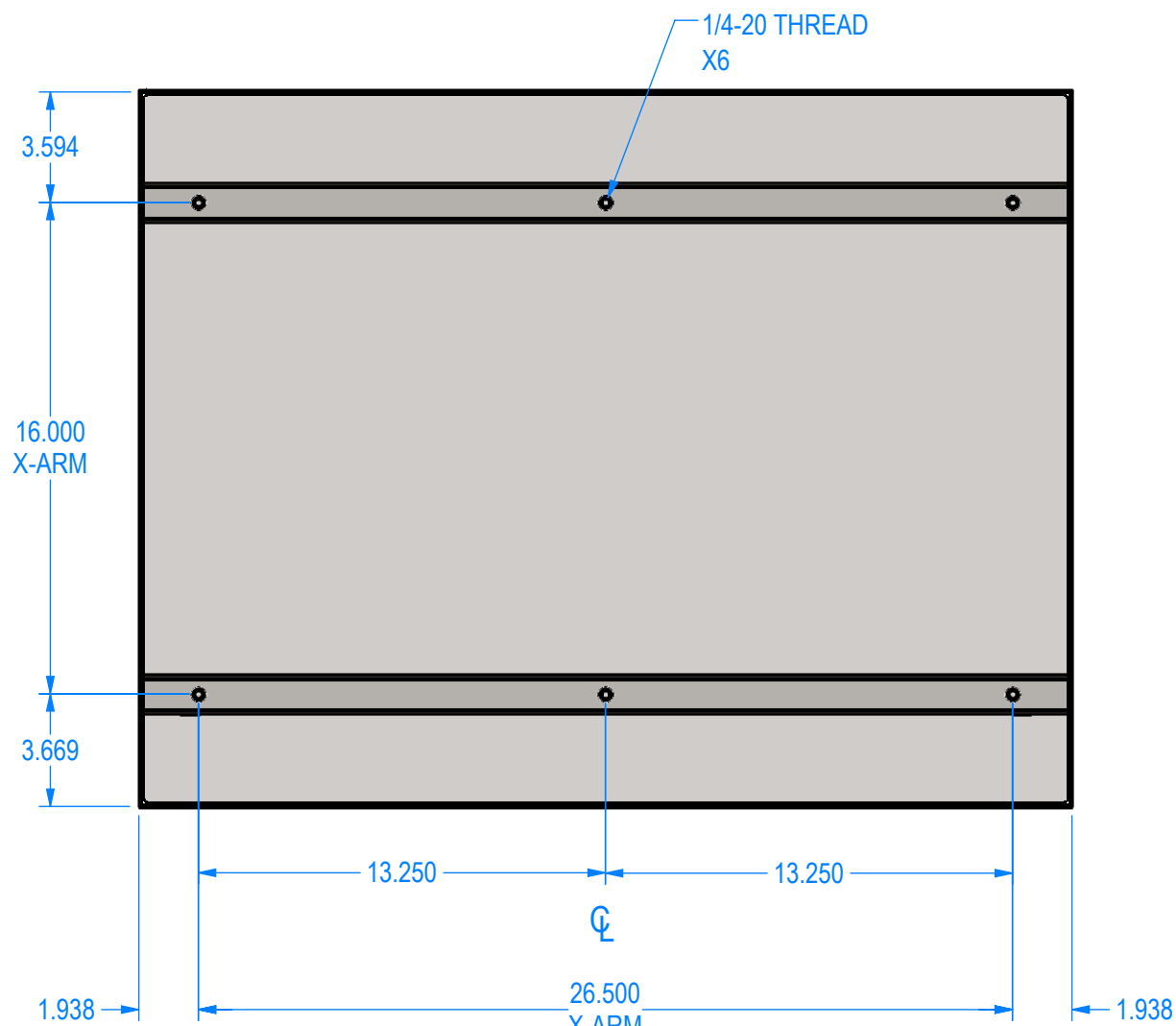
1. FINISH: MATTE BLACK PC
2. APPROXIMATE WEIGHT: 26.5 LBS



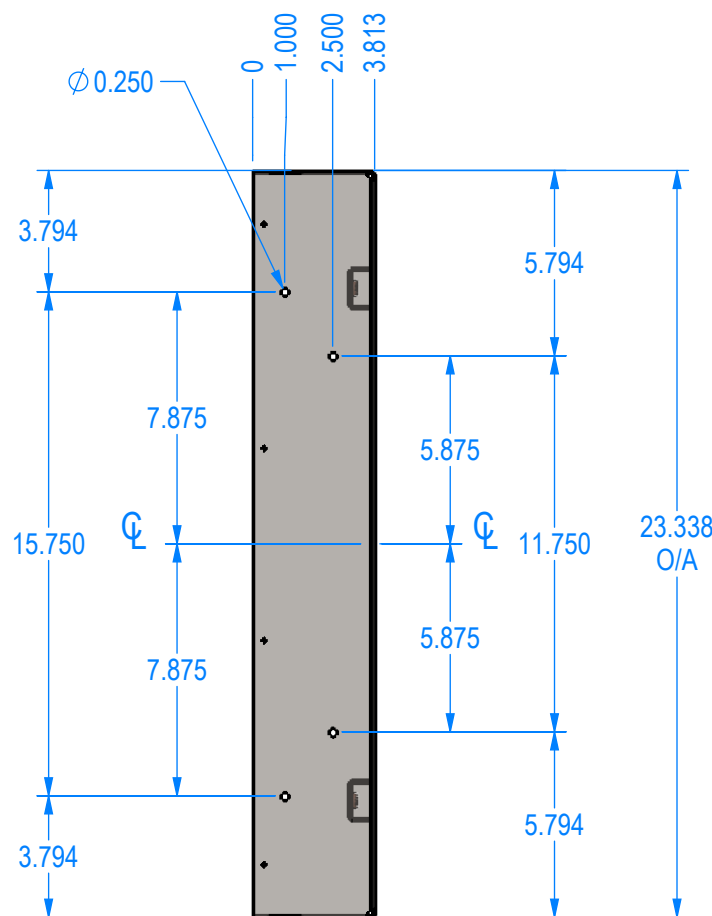
FRONT VIEW



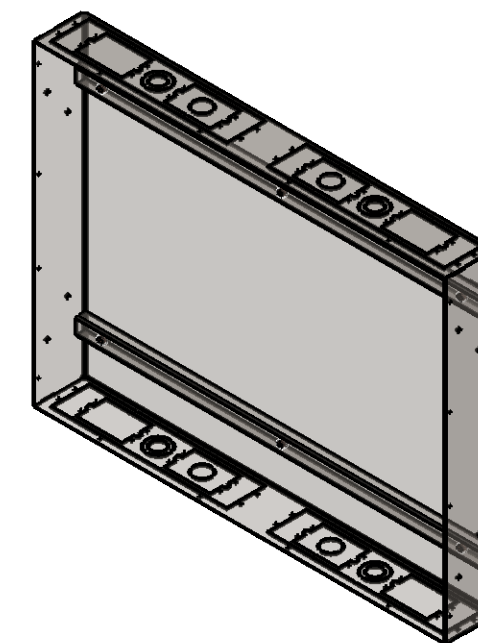
DETAIL A
SCALE 3 : 8



FRONT VIEW



SIDE VIEW



FRONT ISO VIEW

| | | | |
|---|--|--|--|
| G | | | |
| F | | | |
| E | | | |
| C | | | |
| B | | | |
| A | | | |

REV: DESCRIPTION: BY: DATE:

DEALER:

PROJECT:

SKU: RPWM-32B-BOX

PART NO:

DESCRIPTION: BACK BOX 32B KIT

| | | | |
|---------|-----------------|-----------|--------------|
| SIZE: B | DATE: 5/19/2021 | DRAWN: HN | CHECKED: XXX |
|---------|-----------------|-----------|--------------|

DWG. ID: RPWM-32B-BOX.1

| | | |
|---------|---------------|-------------|
| JOB NO: | SCALE: 1:6 | REVISION: A |
| | SHEET: 1 OF 1 | |