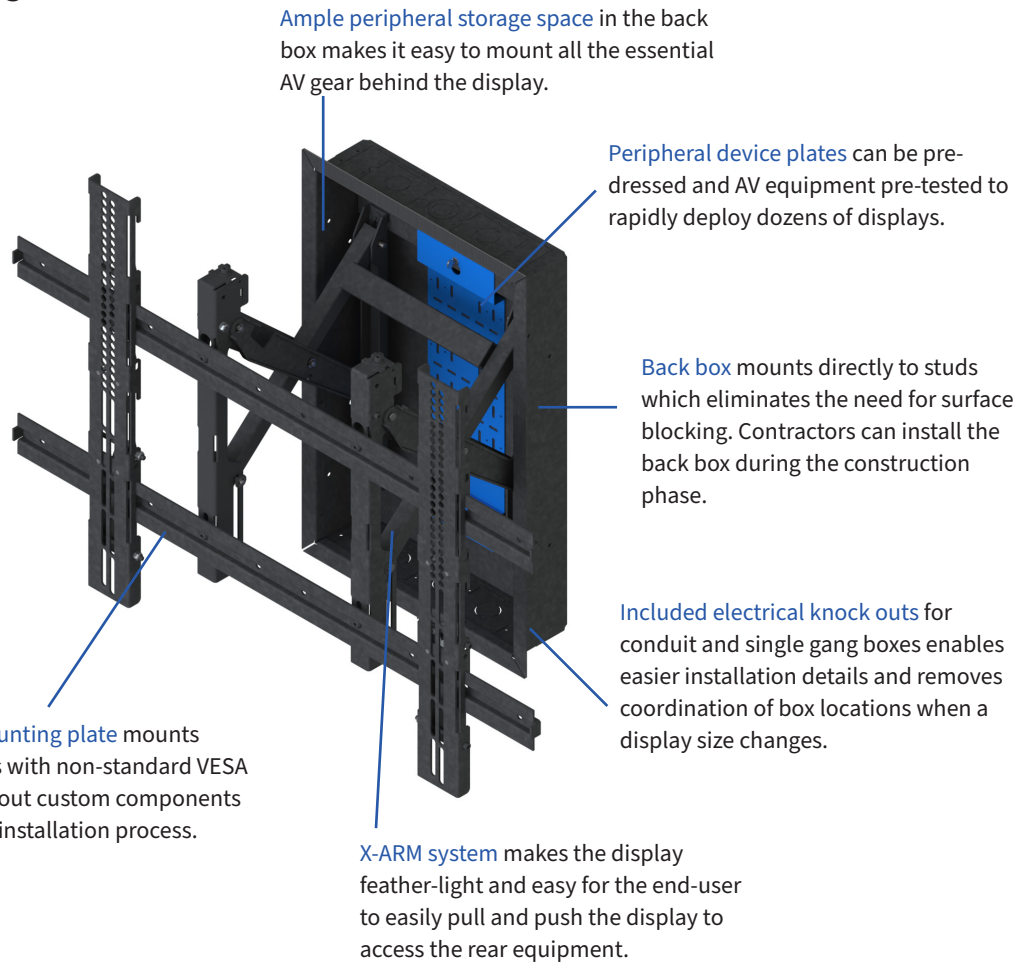


# WALLMATE 16B

## In-Wall Flat Panel Mounting System FOR DISPLAYS UP TO 125 LBS

Wallmate 16B integrates the back box, display mounting plate, and AV device mounting into one complete system while maintaining a thin display-to-wall profile.

- Thin wall to display profile helps achieve ADA compliance.
- Manufactured with 11 to 14-gauge steel in the USA to create a rigid mount that will remain stable and level.
- Only simple tools such as a drill, screwdriver, and Allen key are needed to mount the system.



### Wallmate 16B Specifications

Wallmate 16B Kit with Universal Mounting Plate (as shown in images)

Min. Landscape Panel Size	55" - May be covered by some 50" panels
XARM Opening Distance (wall to back of display)	9.6"
XARM Closed Distance (wall to back of display)	1.49" (UNV) 0.6" (TNV)
Weight Capacity	125 lbs.
Internal Mount Space X-ARM (WxHxD)	8.6" x 10.75" x 4.13"
BOX External Dimensions (WxHxD) – no trim	14.4" x 23.34" x 3.81"
BOX & Trim External Dimensions (WxHxD)	16" x 25" x 3.98"
Universal Mount Size	37.26" x 25.23" x 1.01"
1-Gang Box Positions (top and bottom)	2 each
Aux Box Knock Out (bottom)	1
Conduit Knock Outs (top)	3 (qty. 2 x 1", qty. 2 x combo 0.75"/1.25")
Conduit Knock Outs (bottom)	3 (qty. 2 x 1", qty. 2 x combo 0.75"/1.25")
Weight	53.5 lbs.

# Wallmate 16B Model Numbers

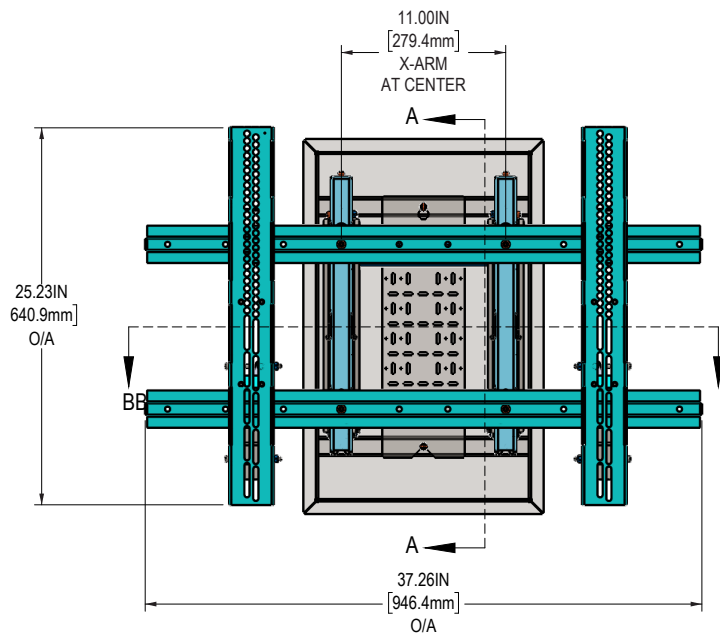
Wallmate 16B Kit with Universal Mounting Plate (as shown in images)

Part Number	Description
RPWM-16B-XM-UNV	Universal-Pull out Wallmate 16B Kit
RPWM-16B-XM-UNV-NB	No Box - Universal-Pull out Wallmate 16B Kit
RPWM-16B-BOX	Wallmate 16B Back Box
RPWM-UNV-64	Universal Mounting Plate

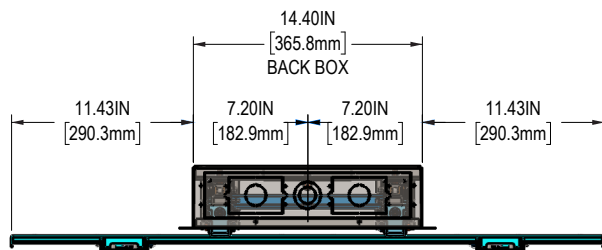
Additional Wallmate 16B Kits and Accessories

Part Number	Description
RPWM-16B-XM-TNV	Thin-Pull out Wallmate 16B kit
RPWM-16B-XM-TNV-NB	No Box - Thin-Pull out Wallmate 16B kit
RPWM-AUXBOX	Auxiliary Box

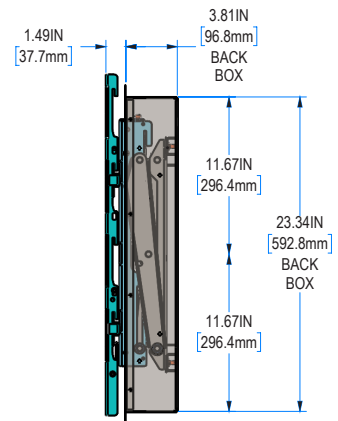
FRONT VIEW



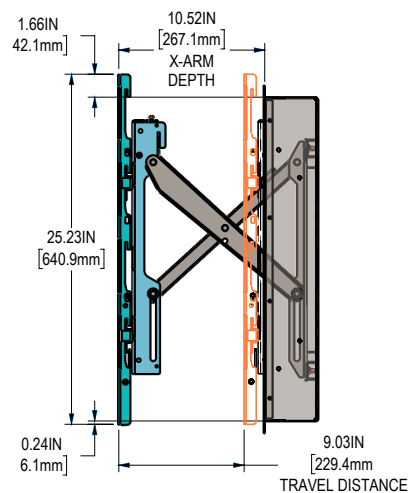
BOTTOM VIEW



SIDE VIEW (X-ARMS CLOSED)



SIDE VIEW (X-ARMS OPEN)



CONTACT US

rpvisuals.com/wallmate  
 info@rpvisuals.com  
 (714) 991-6400

