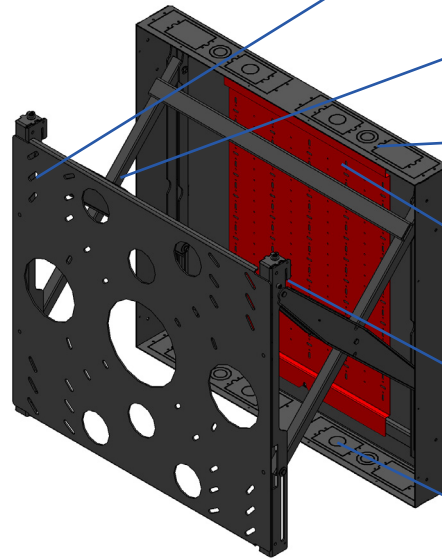


# WALLMATE FLUSH

## Flush In-Wall Flat Panel Mounting System for ADA Compliance FOR DISPLAYS LARGER THAN 65" AND UP TO 325 LBS

Wallmate Flush integrates the back box, display mounting plate, and AV device mounting into one complete system while maintaining a flush display-to-wall profile. This system is ideal for panels over 65", including new 86" and 98" panels that are 3.8" thick, that need to achieve ADA compliance.

- Closes to as low as 0.0" to 0.12" from the wall. The X-Arms have been redesigned to enable a flush closure.
- Manufactured with 11 to 14-gauge steel, in the USA, to create a rigid mount that will remain stable and level.
- Only simple tools such as a drill, screwdriver, and Allen key are needed to install the system.
- Mounts directly to studs which eliminates the need for surface blocking. Contractors can install the back box during the construction phase.



**New ADA mounting plate** is custom made to mount specific 65 in.+ panels. The panel can be mounted portrait or landscape.

**New Slim X-ARM system** makes the display seem feather light enabling easy and safe service and setup access.

**New Flush back box** has been redesigned to enclose the x-arms completely to enable flush closure.

**Rapid deployment** quick-remove peripheral plates enable faster and more reliable roll outs by facilitating AV equipment to be pre-dressed, and pre-tested.

**Peripheral storage space** makes it easy to mount AV gear behind the display while still remaining flush against the wall.

**Included electrical knock outs** for conduit and single gang boxes removes coordination of box locations when a display size changes.

### Wallmate 32MAXBF-XMS-ADA Product Specifications

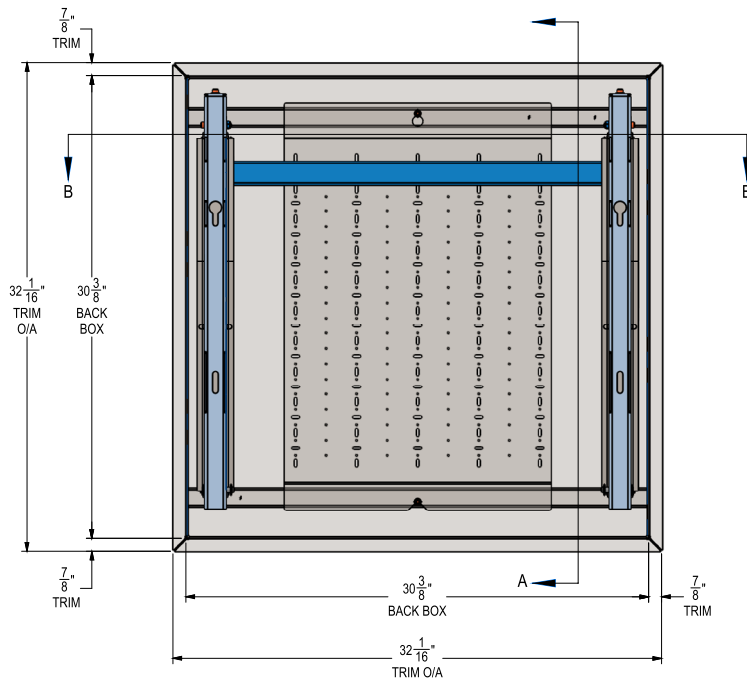
Minimum Landscape and Portrait Panel Size	65" and up
XARM Opening Distance (wall to back of display)	14.5"
System Closed Distance (wall to back of display)	0.0" to 0.12"
Weight Capacity	325 lbs.
Internal Mount Space X-ARM (WxHxD)	24.1" x 19.5" x 3.558"
BOX External Dimensions (WxHxD) – no trim	30.38" x 30.38" x 3.875"
BOX & Trim External Dimensions (WxHxD)	32.075" x 32.075" in x 3.888"
ADA Display Mounting Plate Size	Made for each display. Call for details (714) 991-6400
1-Gang Box Positions (top and bottom)	4 each
Aux Box Knock Outs (bottom)	2 each
Conduit Knock Outs (top)	4 (qty. 2 x 1", qty. 2 x combo 0.75"/1.25")
Conduit Knock Outs (bottom)	4 (qty. 2 x 1", qty. 2 x combo 0.75"/1.25")
Crestron Flex Capable	Yes
Weight	96 lbs.

# Wallmate 32MAXBF-XMS-ADA Model Numbers

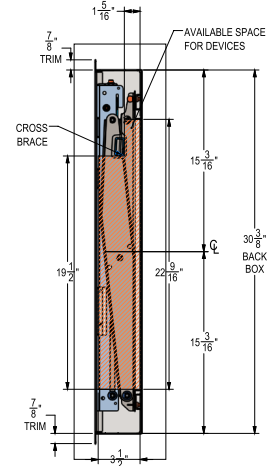
Wallmate RPWM-32MAXBF-XMS-ADA Kit with ADA Mounting Plate (as shown in images)

Part Number	Description	Typical Purchaser
RPWM-32MAXBF-XMS-ADA	Wallmate 32MAXBF kit with slim X-ARM system with made to order ADA mounting plate. Includes back box, peripheral mounting plate, box trim bezel, and X-ARM system. Closes 0-0.12" from wall. 325 lbs. capacity	Integrator
RPWM-32MAXBF-XMS-ADA-NB	Wallmate 32MAXBF kit with slim X-ARM, system includes made to order ADA mounting plate, and Slim X-ARM system. Can close 0" to 0.12" from wall. 325 lbs. capacity. Back box ordered separately	Integrator
RPWM-32MAXBF-BOX-KIT	Metal back box for Wallmate 32MAXBF systems. Mounts in standard 3.5" depth studs,- made to reduce closing depth by 0.25", includes peripheral mounting plate and trim bezel. Integrated mounting points, 8 single gang box knock outs, 4 multi size conduit knock outs, 4 1" conduit knock outs, 2 knock outs for bottom auxiliary tray. Mounts direct to 14 gauge studs. 350 lbs. capacity.	General or electrical contractors

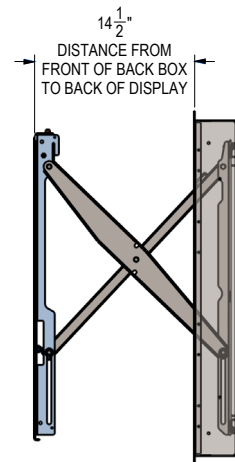
**FRONT VIEW (ADA Mounting Plate not shown)**



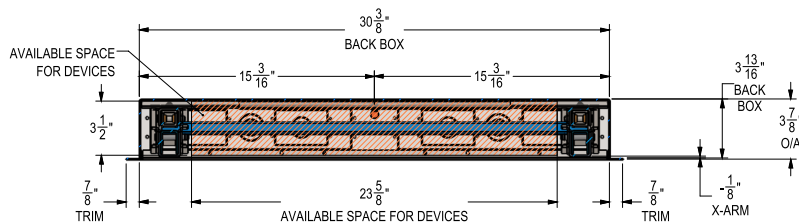
**SIDE VIEW (X-ARMS CLOSED)**



**SIDE VIEW (X-ARMS OPEN)**



**BOTTOM VIEW**



**CONTACT US**

rpvisuals.com/wallmate  
info@rpvisuals.com  
(714) 991-6400

