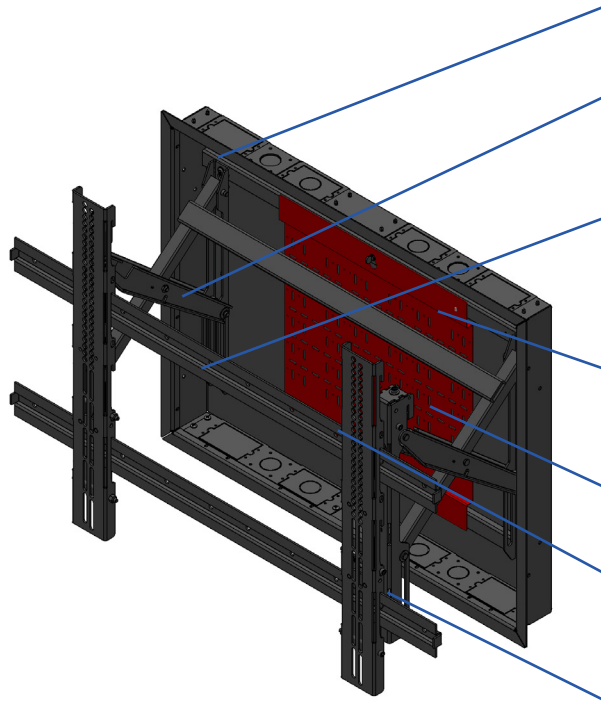


WALLMATE SLIM

In-Wall Flat Panel Mounting System to Achieve ADA Compliance on 2.5" Stud Walls FOR DISPLAYS LARGER THAN 55" AND UP TO 225 LBS

Wallmate Slim is an integrated flat panel mounting system for 2.5" stud walls. The standard universal mounting plate can accommodate most displays with non-standard VESA patterns. Our system integrates the back box, display mounting plate and AV device mounting into one, easy to work with solution.

- Closes to 1.49" from the wall to help achieve ADA compliance.
- Manufactured with 11 to 14-gauge steel, in the USA, to create a rigid mount that will remain stable and level.
- Only simple tools such as a drill, screwdriver, and Allen key are needed to install the system.
- Mounts directly to studs which eliminates the need for surface blocking. Contractors can install the back box during the construction phase.



New Slim back box has been redesigned to fit in 2.5" wall studs.

New Slim X-ARM system makes the display seem feather light, enabling easy and safe service and setup access.

Universal mounting plate mounts most displays with non-standard VESA patterns without custom components or a complex installation process.

Peripheral storage space makes it easy to mount AV gear behind the display while still remaining flush against the wall.

Rapid deployment quick-remove peripheral plates enable faster and more reliable roll outs by facilitating AV equipment to be pre-dressed, and pre-tested.

Included electrical knock outs for conduit and single gang boxes removes coordination of box locations when a display size changes.

Wallmate 32BS-XMS-UNV Product Specifications

Minimum Landscape and Portrait Panel Size	55" landscape, 65" portrait
XARM Opening Distance (wall to back of display)	11.005" with UNV mounting plate, 10.12" TNV/OFFSET mounting plates
System Closed Distance (wall to back of display)	1.49" with UNV mounting plate, 0.6" with TNV/OFFSET mounting plates
Weight Capacity	225 lbs.
Internal Mount Space X-ARM (WxHxD)	24.1" x 10.75" x 3.44"
BOX External Dimensions (WxHxD) - no trim	30.375" X 23.338" x 3.125"
BOX & Trim External Dimensions (WxHxD)	32.075" x 25.037" x 3.2
Universal Mount Size	37.26" x 25.23" x 1.01"
1-Gang Box Positions (top and bottom)	4 each
Aux Box Knock Outs (bottom)	None
Conduit Knock Outs (top)	4 qty. x 1"
Conduit Knock Outs (bottom)	4 qty. x 1"
Weight	70.261 lbs

Wallmate 32BS-XMS-UNV Model Numbers

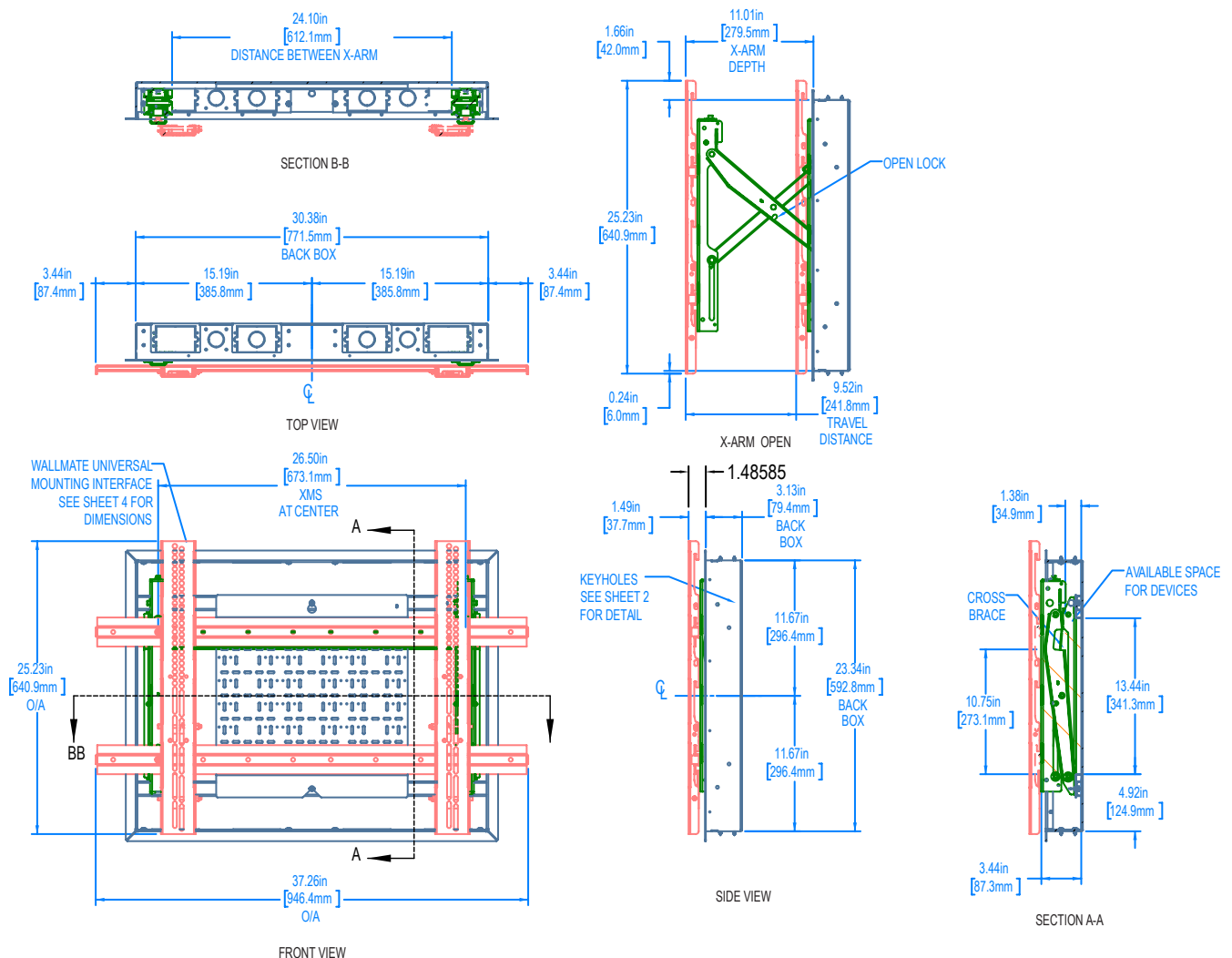
Wallmate RPWM-32BS-XMS-UNV Kit with Universal Mounting Plate (as shown in images)

Part Number	Description	Typical Purchaser
RPWM-32BS-XMS-UNV	Wallmate 32BS system, includes back box, peripheral mounting plate, box trim bezel, Slim X-ARM, and Universal Mount system. Closes to 1.49", 225 lbs. capacity.	Integrator
RPWM-32BS-XMS-UNV-NB	Wallmate 32BS system, includes Slim X-ARM, Universal Mount system, closes to 1.49", 225 lbs. capacity. Back box ordered separately.	Integrator
RPWM-32BS-BOX-KIT	Metal back box for Wallmate 32BS systems. Includes shallow 2.5" stud back box, includes peripheral mounting plate and trim bezel. includes four plates for total of 8 single gang box knock outs, 4 multi size conduit knock outs, (12) 1" conduit knock outs. 225 lbs. capacity. No AUX BOX knock out	General or electrical contractors

Additional Wallmate Slim Systems

Contacts us to verify your display needs to match you to the best system combination.

Part Number	Slim X-ARM Depth	Slim X-ARM Open Travel	Distance from wall to back of display				Slim Back Box Recess
			UNV	TNV	HSB	OFFSET	
RPWM-16BS-XMS	3.03"	9.52"	1.49"	0.6"	0.98"	0.6"	2.55"
RPWM-32BS-XMS	3.03"	9.52"	1.49"	0.6"	0.98"	0.6"	2.55"
RPWM-32MAXBS-XMS	3.118"	14.557"	1.578"	0.688"	1.068"	0.688"	2.55"



CONTACT US

rpvisuals.com/wallmate
info@rpvisuals.com
(714) 991-6400

