

This drawing contains proprietary information owned or controlled by RPVisual Solutions and must not be used or disclosed without prior written authorization

DIMENSIONS ARE IN INCHES  
 TOLERANCES ARE:  
 FRACTIONS X/X : ± 1/32      DECIMALS .XX : ± .03      ANGLES X : ± .5  
 .XXX : ± .010      .XX : ± .20

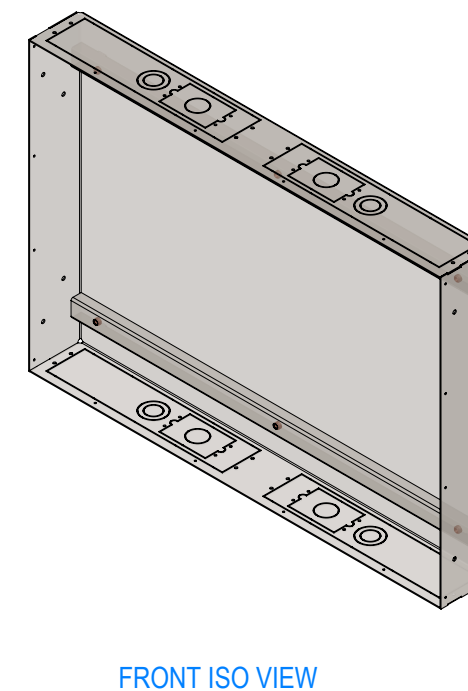
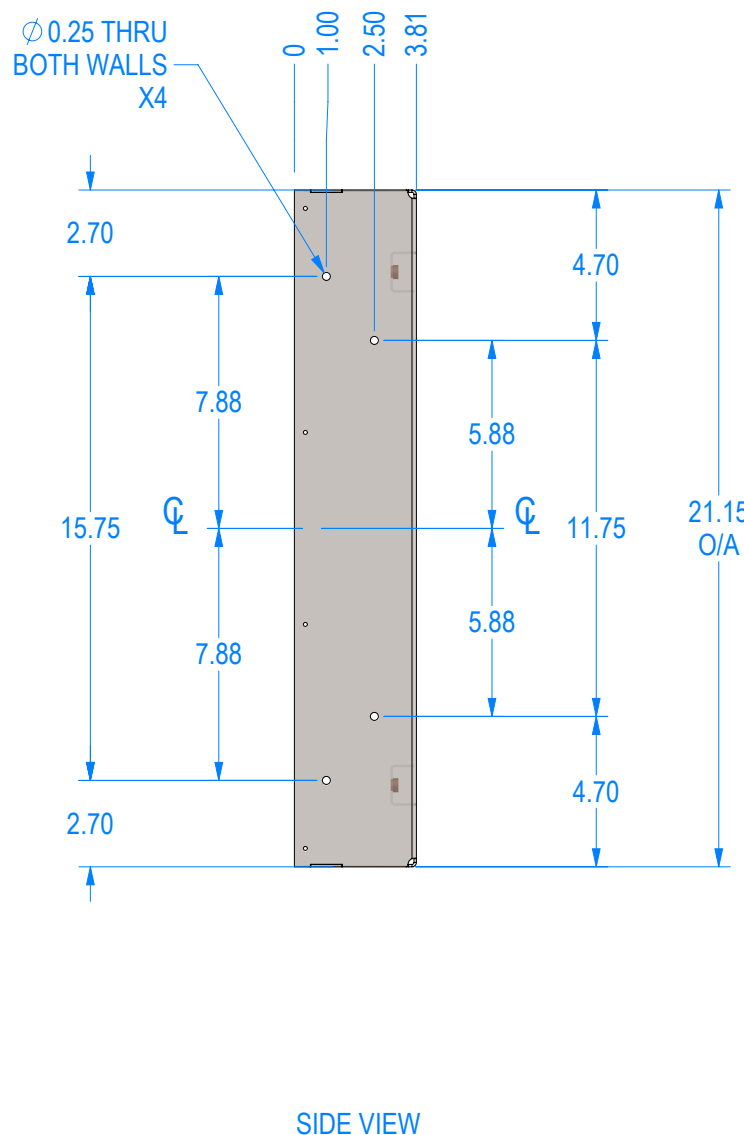
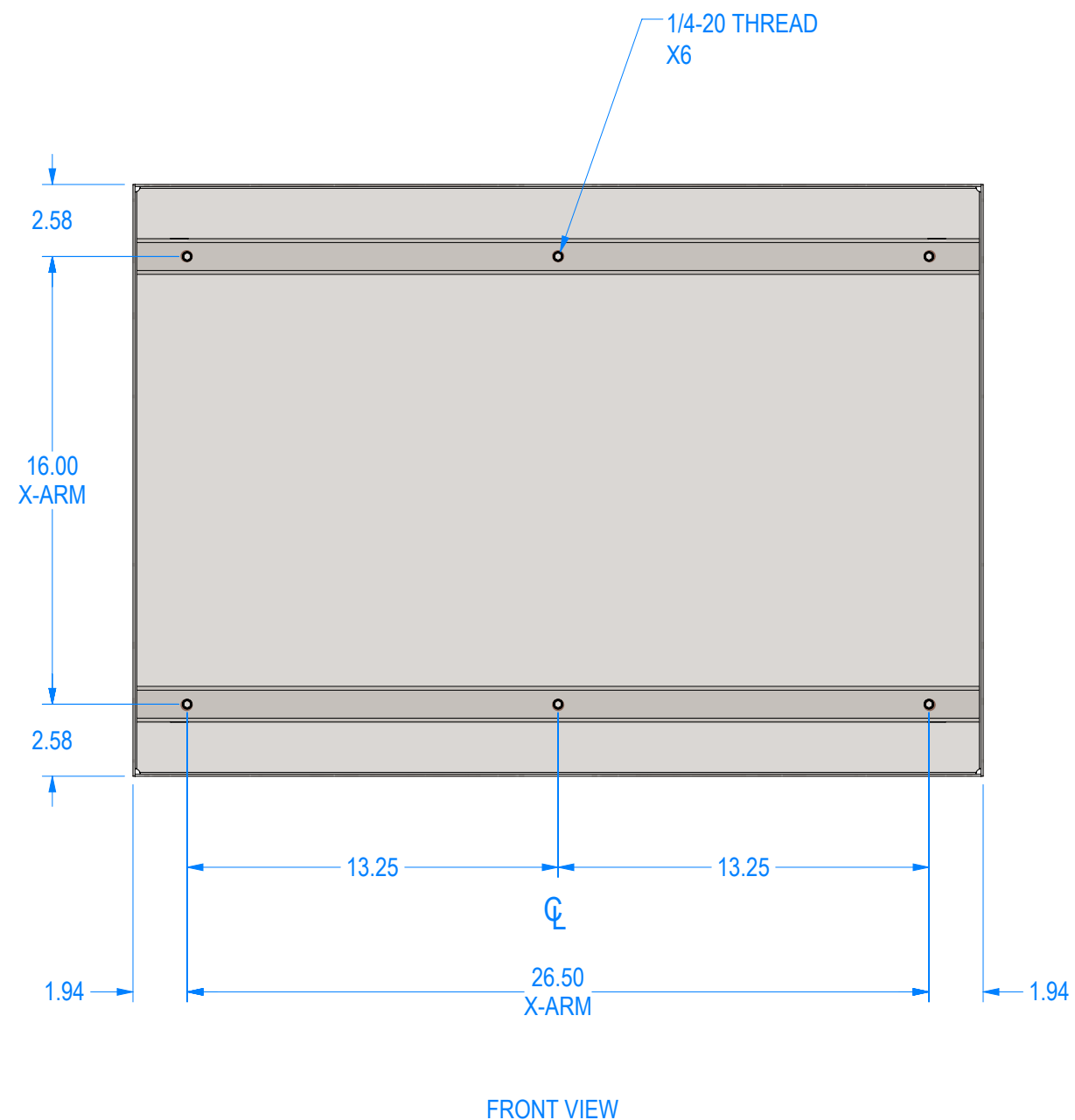
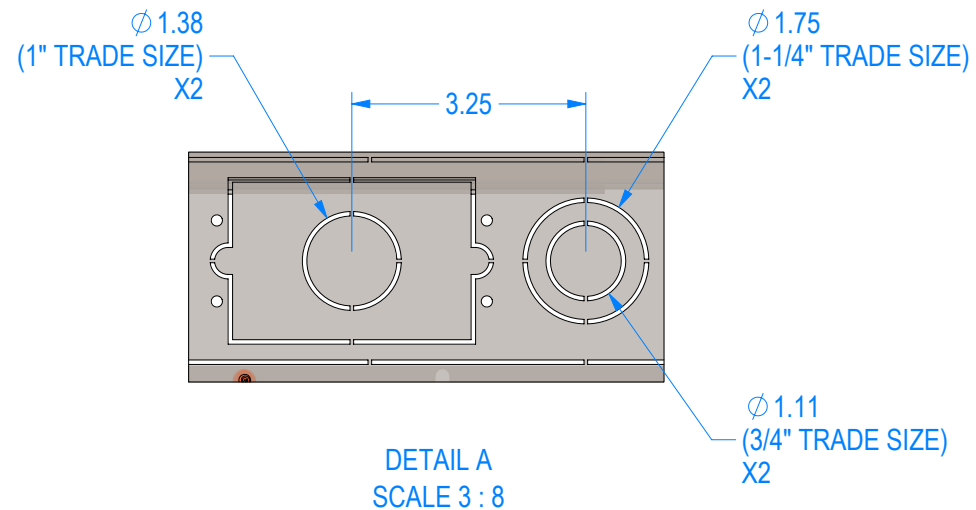
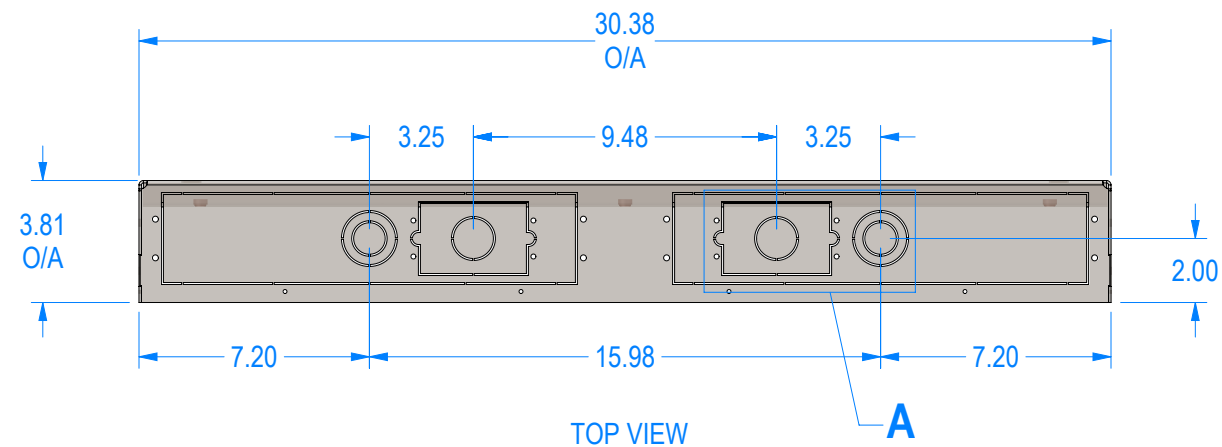
**APPROVED FOR FABRICATION**

SIGNATURE: \_\_\_\_\_

DATE: \_\_\_\_\_

NOTES:

1. FINISH: MATTE BLACK PC
2. APPROXIMATE WEIGHT: 26.5 LBS



G			
F			
E			
C			
B			
A			

REV: DESCRIPTION: \_\_\_\_\_ BY: \_\_\_\_\_ DATE: \_\_\_\_\_

PROJECT: \_\_\_\_\_

SKU: RPWM-32BM-BOX

PART NO: \_\_\_\_\_

DESCRIPTION: BACK BOX KIT 32BM

SIZE: B	DATE: 5/9/2023	DRAWN: HN	CHECKED: XXX
---------	----------------	-----------	--------------

DWG. ID: RPWM-32BM-BOX.1

JOB NO:	SCALE: 1:6	REVISION:
	SHEET: 1 OF 1	