

This drawing contains proprietary information owned or controlled by RPVisual Solutions and must not be used or disclosed without prior written authorization

DIMENSIONS ARE IN INCHES
TOLERANCES ARE:
FRACTIONS: X/X : ± 1/32
DECIMALS: .XX : ± .03
 .XXX : ± .010
ANGLES: X : ± .5
 .XX : ± .20

APPROVED FOR FABRICATION

SIGNATURE: _____

DATE: _____

NOTES:

1. FINISH: SEMI-GLOSS BLACK POWDER COAT
2. APPROXIMATE WEIGHT: 187.45 LBS

G			
F			
E			
C			
B			
A			

REV: DESCRIPTION: _____ BY: _____ DATE: _____
DEALER: _____

PROJECT: _____

SKU: RPWM-32MAXB6-XMR-LED-A

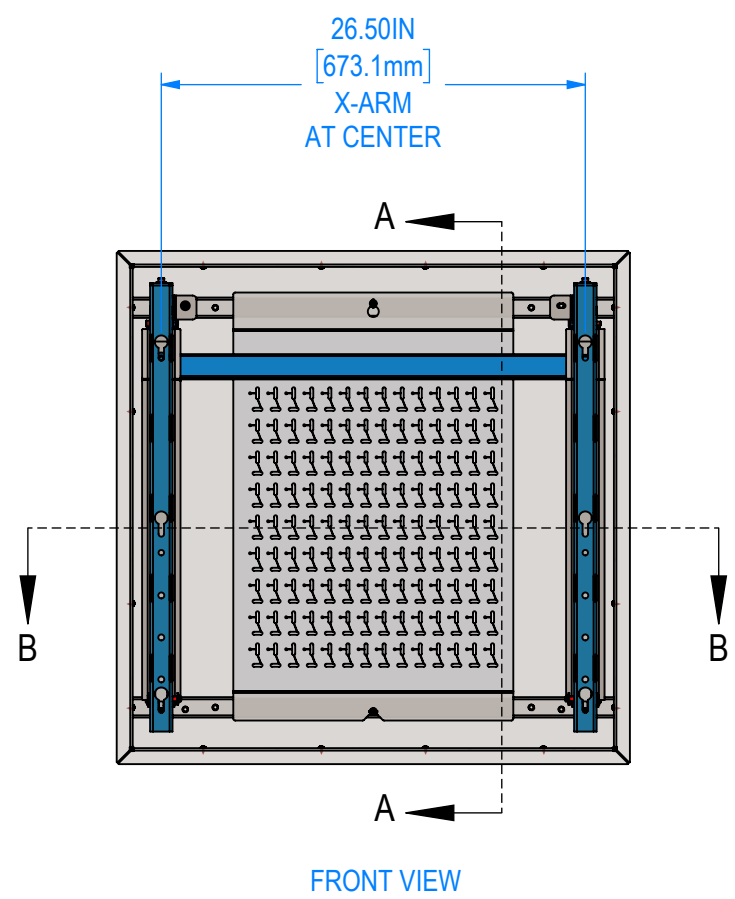
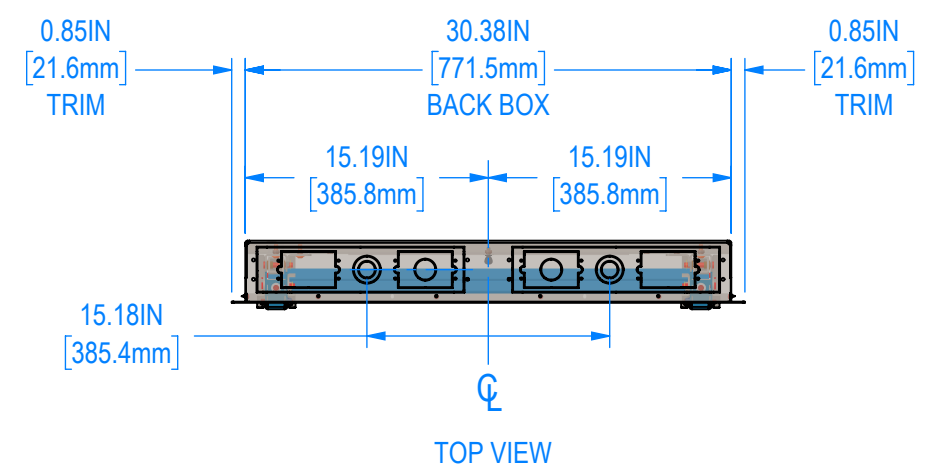
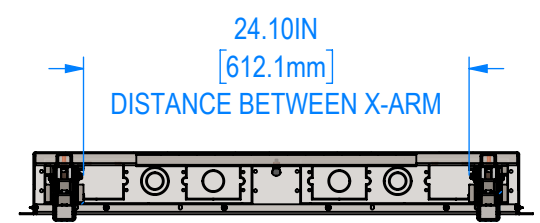
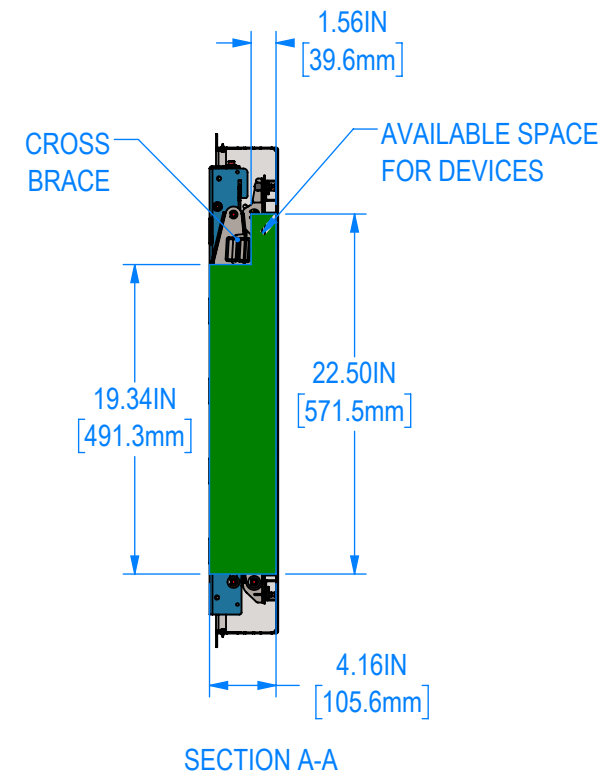
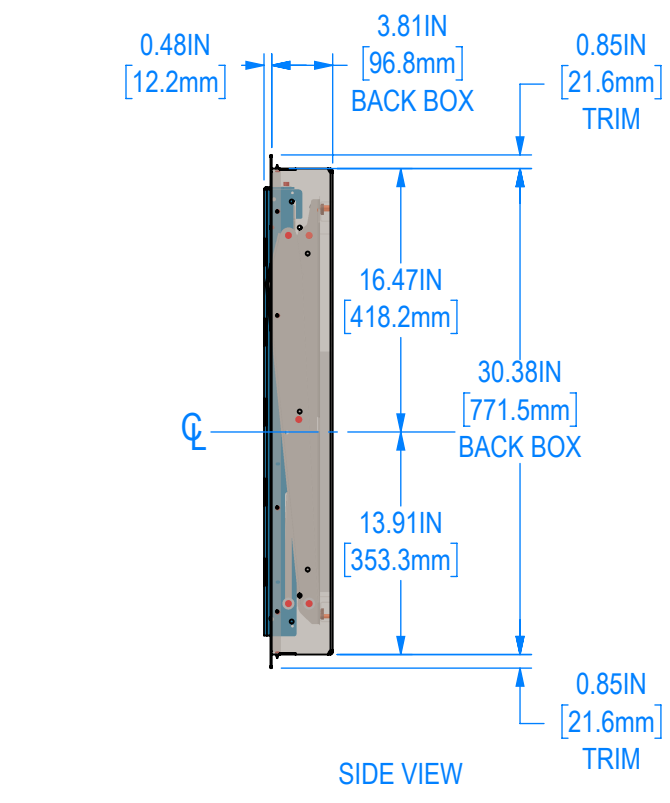
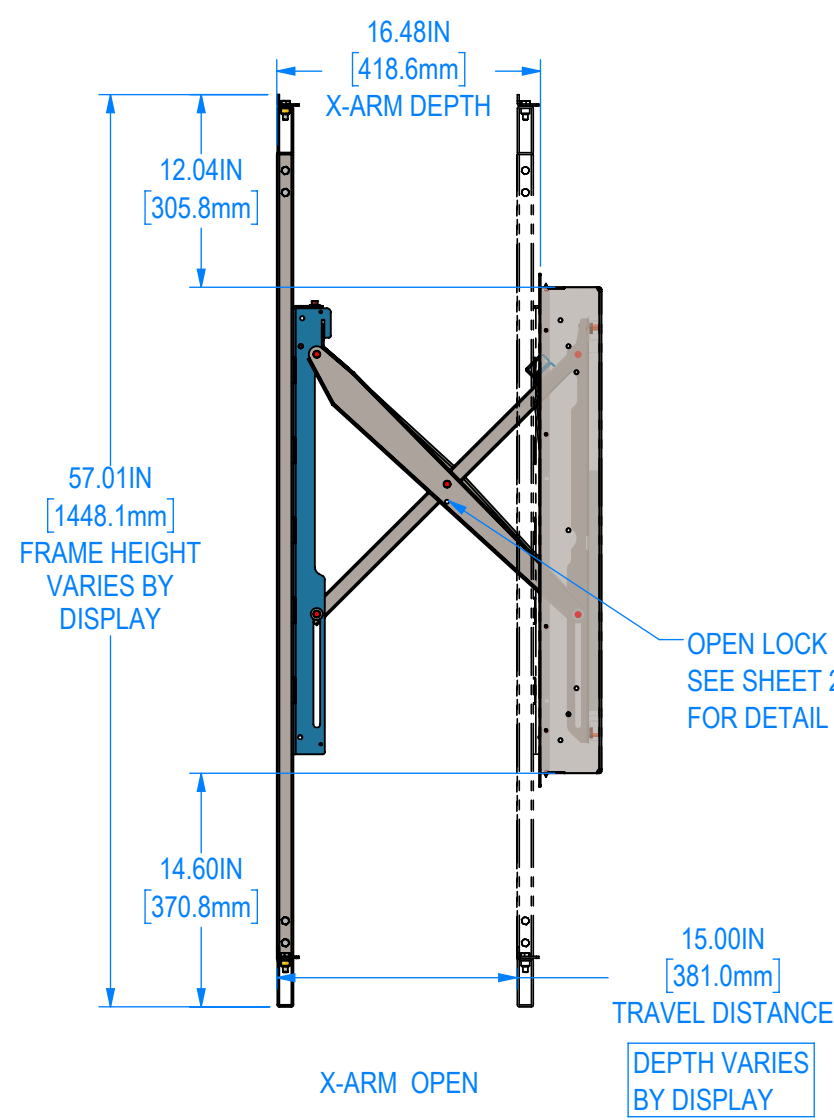
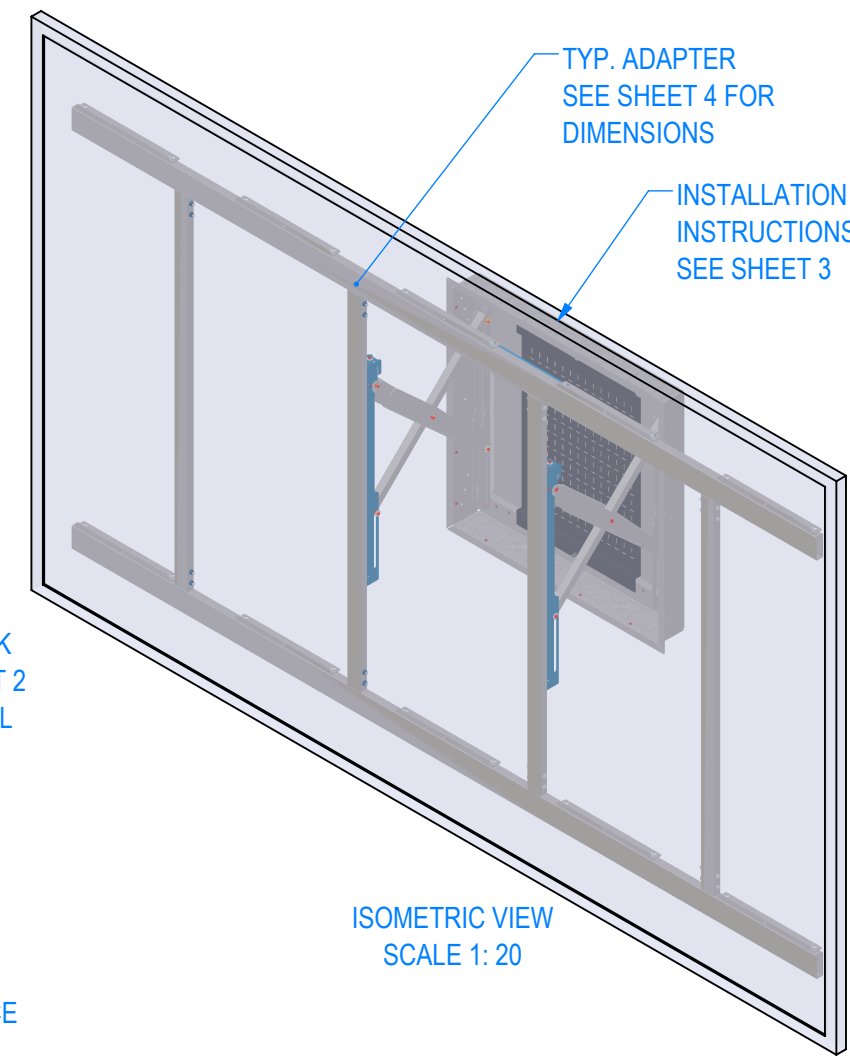
PART NO: 00070-00101-00

DESCRIPTION: **MADE TO ORDER ALL-IN-ONE LED WALLMATE MOUNTING SYSTEM UP TO 137" DIA.**

SIZE: B	DATE: 9/25/2023	DRAWN: GS	CHECKED: XXX
---------	-----------------	-----------	--------------

DWG. ID: RPWM-32MAXB6-XMR-LED-A.1

JOB NO:	SCALE: 1:12	REVISION:
	SHEET: 1 OF 4	



This drawing contains proprietary information owned or controlled by RPVisual Solutions and must not be used or disclosed without prior written authorization

DIMENSIONS ARE IN INCHES
TOLERANCES ARE:
FRACTIONS DECIMALS ANGLES
X/X : ± 1/32 .XX : ± .03 .X : ± .5
.XXX : ± .010 .XX : ± .20

APPROVED FOR FABRICATION

SIGNATURE:

DATE:

NOTES:

G			
F			
E			
C			
B			
A			

REV: DESCRIPTION: BY: DATE:

DEALER:

PROJECT:

SKU: RPWM-32MAXB6-XMR-LED-A

PART NO: 00070-00101-00

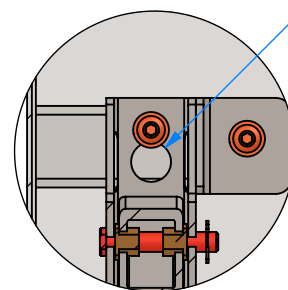
DESCRIPTION: MADE TO ORDER ALL-IN-ONE LED WALLMATE MOUNTING SYSTEM UP TO 137" DIA.

SIZE: B	DATE: 9/25/2023	DRAWN: GS	CHECKED: XXX
---------	-----------------	-----------	--------------

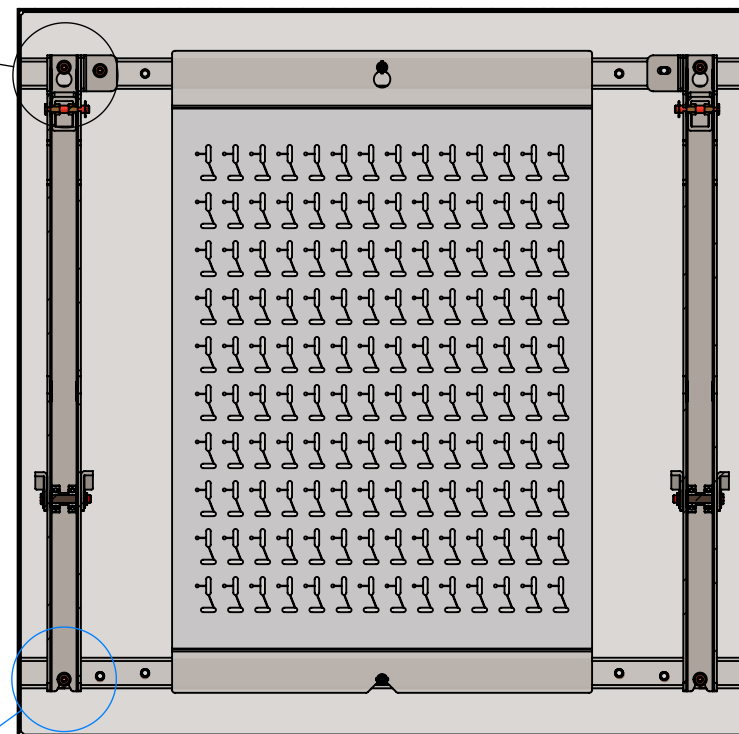
DWG. ID: RPWM-32MAXB6-XMR-LED-A.2

JOB NO:	SCALE: 1:8	REVISION:
	SHEET: 2 OF 4	

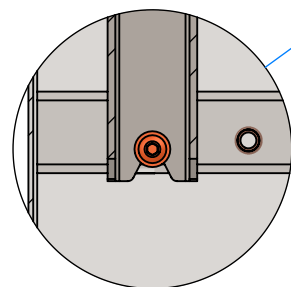
Ø 0.63IN
[15.9mm]
KEYHOLE X2,
UPPER X-ARM



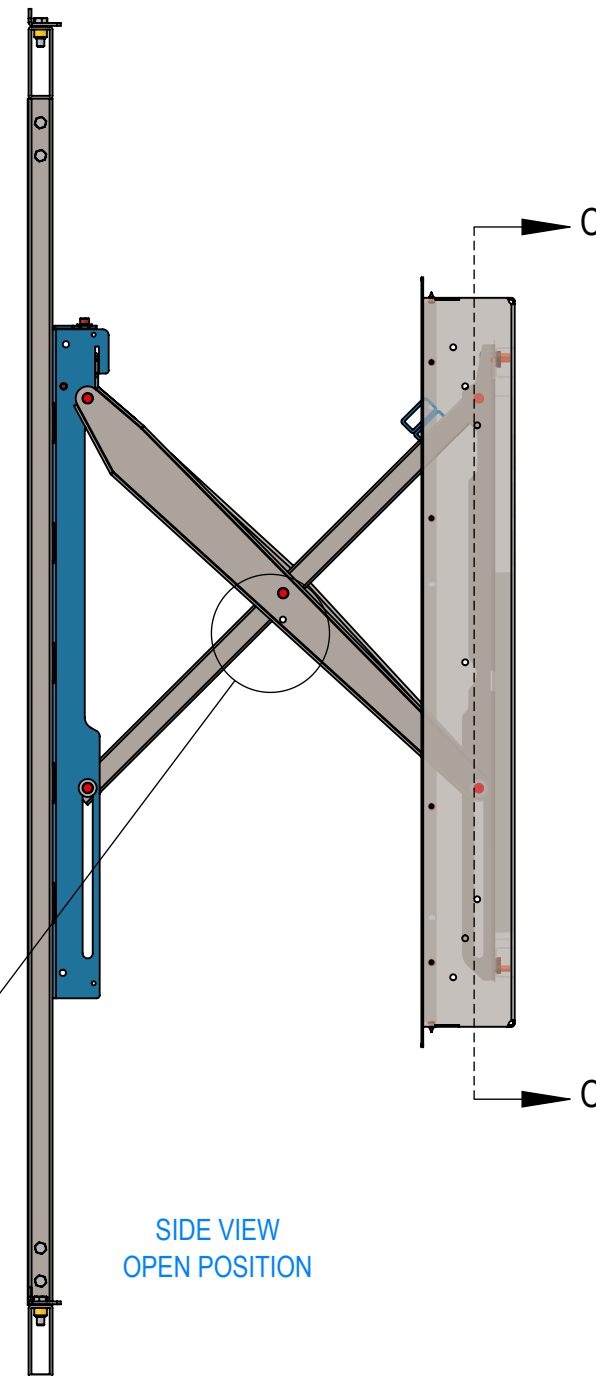
DETAIL D
SCALE 1 : 3



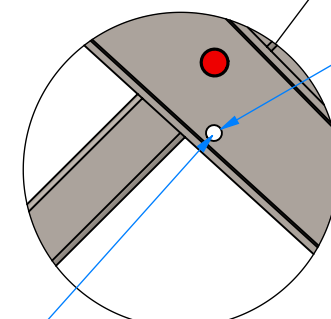
SECTION C-C
SCALE 1 : 8



DETAIL E
SCALE 1 : 3



SIDE VIEW
OPEN POSITION



DETAIL F
SCALE 1 : 3

Ø 0.25IN
[6.4mm]

USE THIS LOCATION
TO LOCK X-ARM
IN OPEN POSITION

This drawing contains proprietary information owned or controlled by RPVisual Solutions and must not be used or disclosed without prior written authorization

DIMENSIONS ARE IN INCHES
TOLERANCES ARE:

FRACTIONS	DECIMALS	ANGLES
X/X : ± 1/32	.XX : ± .03 .XXX : ± .010	X : ± .5 .XX : ± .20

APPROVED FOR FABRICATION

SIGNATURE: _____

DATE: _____

NOTES:

1. FINISH: SEMI-GLOSS BLACK POWDER COAT
2. APPROXIMATE WEIGHT: 187.45 LBS

G			
F			
E			
C			
B			
A			

REV: DESCRIPTION: BY: DATE:

DEALER: _____

PROJECT: _____

SKU: RPWM-32MAXB6-XMR-LED-A

PART NO: 00070-00101-00

DESCRIPTION: MADE TO ORDER ALL-IN-ONE LED WALLMATE MOUNTING SYSTEM UP TO 137" DIA.

SIZE: B	DATE: 9/25/2023	DRAWN: GS	CHECKED: XXX
---------	-----------------	-----------	--------------

DWG. ID: RPWM-32MAXB6-XMR-LED-A.3

JOB NO:	SCALE: 1:12	REVISION:
	SHEET: 3 OF 4	

WALLMATE 32MAXB6
BACK BOX KIT
SKU: RPWM-32MAXB6-BOX-KIT
WEIGHT: 43.83 LBS

PERIPHERAL PLATE FOR
WALLMATE 32MAXB
SKU: RPWM-32MAXB6-PM
WEIGHT: 7.74 LBS

KEYWAYS AND SLOTS
ATTACH ADAPTER HERE

BACK BOX 32MAXB6 WELDMENT
WEIGHT: 32.04 LBS

IMPORTANT
• LEVEL AND PLUMB
WALLMATE BOX

IMPORTANT
• USE ALL SEVEN MOUNTING
POINTS PER SIDE
• TYPE OF FESTENER SPECIFIED
AND PROVIDED BY OTHERS

BEZEL TRIM 32MAXB6 KIT
SKU: RPWM-32MAXB-BZL
WEIGHT: 3.88 LBS

USE #8 X 3/8"
SHEET METAL SCREWS
X32

HEAVY DUTY ROLLER X-ARM
FOR WALLMATE 32MAXB
SKU: RPWM-32MAXB6-XMR
WEIGHT: 41.52 LBS

1/4-20 X 3/4"
FLANGED BUTTON
HEAD SCREW
X6

5/16-18 FLANGED
LOCKNUT
X6

TYP. INTERFACE PLATE
FOR ALL-IN-ONE LED SYSTEM
SKU: RPWM-32MAXB6-LED-AIO
SEE SHEET 4 FOR
DIMENSIONS
WEIGHT: 102.07 LBS

- INSTALLATION NOTES:**
1. WALLMATE RPWM-32MAXB6-XMR CAN HOLD 820 LBS OF WEIGHT FOR DISPLAY AND ADAPTER
 2. CANNOT MOUNT INTO TYPICAL WALL BUILDS
 3. VERIFY WALL STRENGTH WITH STRUCTURAL ENGINEER. (COG DRAWINGS AVAILABLE UPON REQUEST.)
 4. CAN MOUNT TO OPTIONAL STEEL POSTS BY RPV (CALL FOR DETAILS)
 5. USE ALL FASTENING POINTS ON BOTH SIDES OF BOX

FRONT ISO VIEW
(EXPLODED)

NOTE TO CONTRACTOR:
 USE SUPPLIED HARDWARE WITH CAUTION:
 - SCREWS CAN EXCEED DISPLAY INSERT LENGTH
 - VERIFY INSERT LENGTH WITH DISPLAY
 MANUFACTURER PRIOR TO USE

DISPLAY MOUNTING HARDWARE PROVIDED BY RPV:
 QTY: 4 / UNIT - M6 X 16mm FLANGED SBHCS ALLOY
 QTY: 4 / UNIT - M8 X 16mm, M8 X 20mm FLANGED SBHCS ALLOY
 QTY: 4 / UNIT - M8 X 40mm SBHCS ALLOY
 QTY: 4 / UNIT - 5/16" ID X 3/4" OD FLAT WASHER

This drawing contains proprietary information owned or controlled by RPVisual Solutions and must not be used or disclosed without prior written authorization.
 DIMENSIONS ARE IN INCHES
 TOLERANCES ARE:
 FRACTIONS DECIMALS ANGLES
 X/X : ± 1/32 .XX : ± .03 .X : ± .5
 .XXX : ± .010 .XX : ± .20

APPROVED FOR FABRICATION
 SIGNATURE:

DATE:

NOTES:

G			
F			
E			
C			
B			
A			
REV:	DESCRIPTION:	BY:	DATE:
DEALER:			

PROJECT:

SKU: RPWM-32MAXB6-LED-AIO

PART NO: 00070-00101-10

DESCRIPTION: TYPICAL INTERFACE PLATE FOR ALL-IN-ONE LED SYSTEM

SIZE: B DATE: 9/7/2023 DRAWN: GS CHECKED:

DWG. ID: RPWM-32MAXB6-XMR-LED-A.4

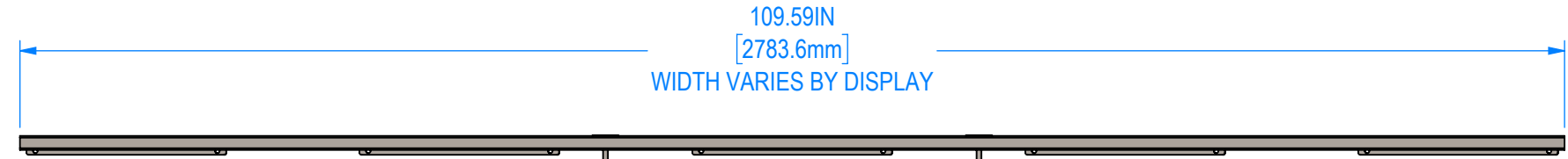
JOB NO: SCALE: 1:12 SHEET: 4 OF 4 REVISION:

WIDTH VARIES BY DISPLAY

THICKNESS VARIES GREATLY BY DISPLAY PLEASE CALL US FOR SPECIFIC DISPLAY INTERFACE DETAILS: 714-991-6400

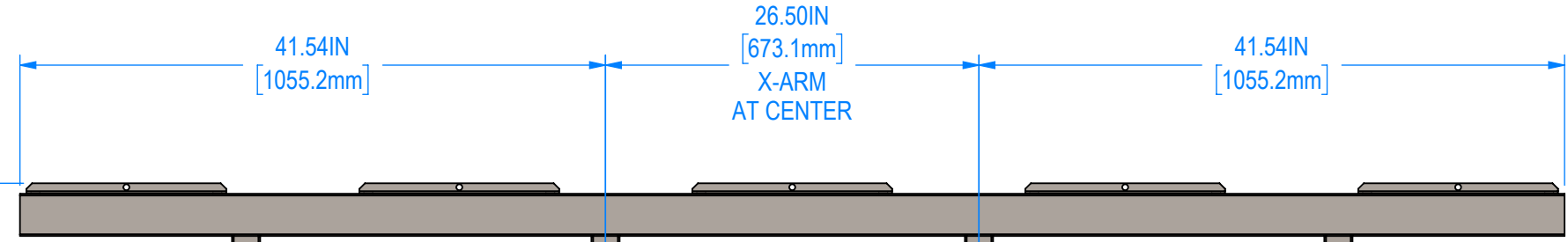
DISPLAY THIS SIDE

HEIGHT VARIES BY DISPLAY



TOP VIEW

1.71 IN [43.5mm]



FRONT VIEW

3.00 IN [76.2mm]

1.75 IN [44.5mm]

50.27 IN [1276.8mm]

3.00 IN [76.2mm]

SIDE VIEW

17.88 IN [454.1mm]

11.00 IN [279.4mm] X-ARM

11.00 IN [279.4mm] X-ARM

17.13 IN [435.2mm]

Q