

This drawing contains proprietary information owned or controlled by RPVisual Solutions and must not be used or disclosed without prior written authorization

DIMENSIONS ARE IN INCHES

TOLERANCES ARE:		
FRACTIONS	DECIMALS	ANGLES
X/X : ± 1/32	.XX : ± .03	X : ± .5
	.XXX : ± .010	.XX : ± .20

APPROVED FOR FABRICATION

SIGNATURE: \_\_\_\_\_

DATE: \_\_\_\_\_

NOTES:

1. FINISH: SEMI-GLOSS BLACK POWDER COAT
2. APPROXIMATE WEIGHT: 219.34 LBS

G			
F			
E			
C			
B			
A			

REV: DESCRIPTION: BY: DATE:

DEALER: \_\_\_\_\_

PROJECT: \_\_\_\_\_

SKU: RPWM-32MAXB6-XMR-LED-T

PART NO: 00071-00101-00

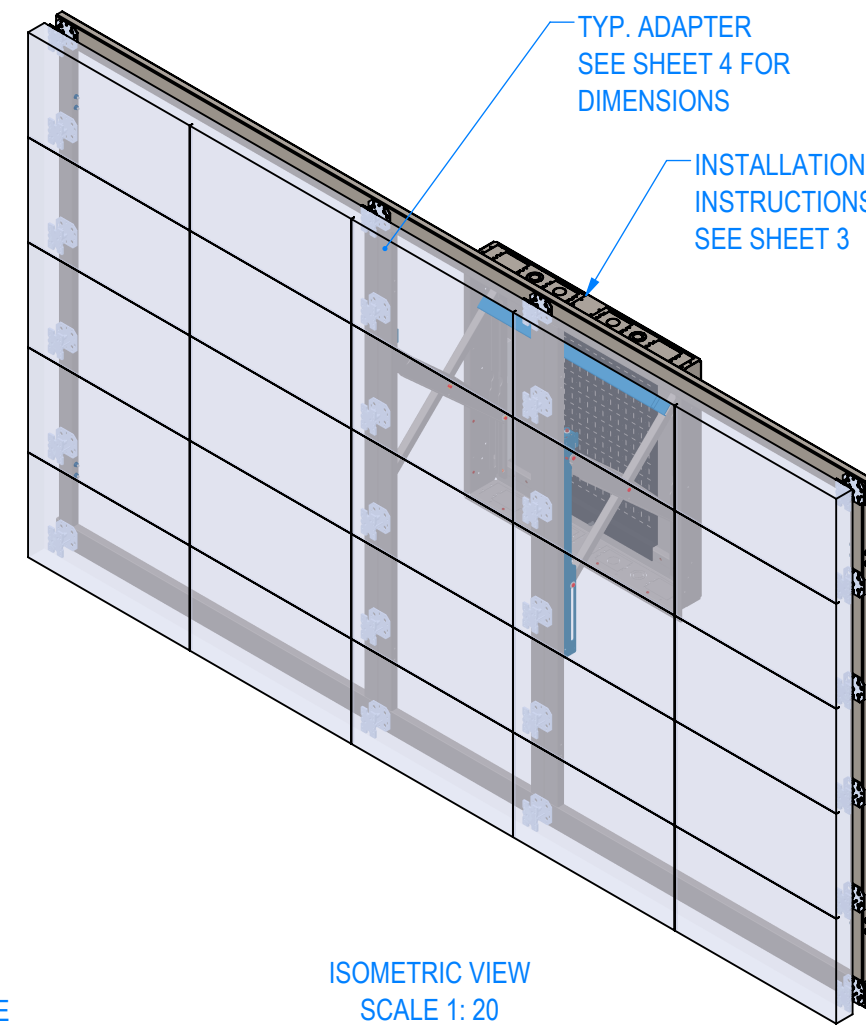
DESCRIPTION: MADE TO ORDER TILE BASED LED WALLMATE MOUNTING SYSTEM UP TO 137" DIA.

SIZE: B	DATE: 10/10/2023	DRAWN: GS	CHECKED: XXX
---------	------------------	-----------	--------------

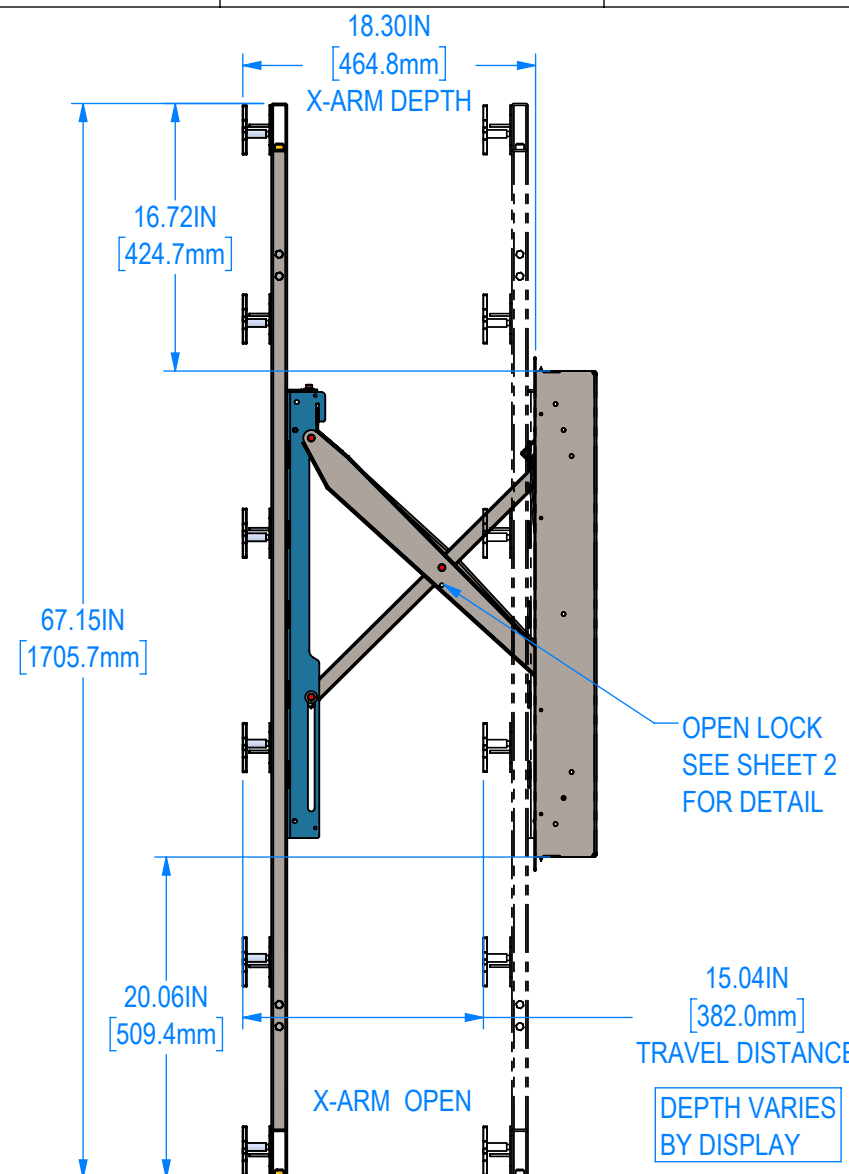
DWG. ID: RPWM-32MAXB6-XMR-LED-T.1

JOB NO:	SCALE: 1:12	REVISION:
---------	-------------	-----------

SHEET: 1 OF 4	
---------------	--

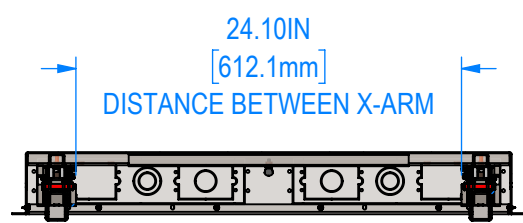


ISOMETRIC VIEW  
SCALE 1: 20

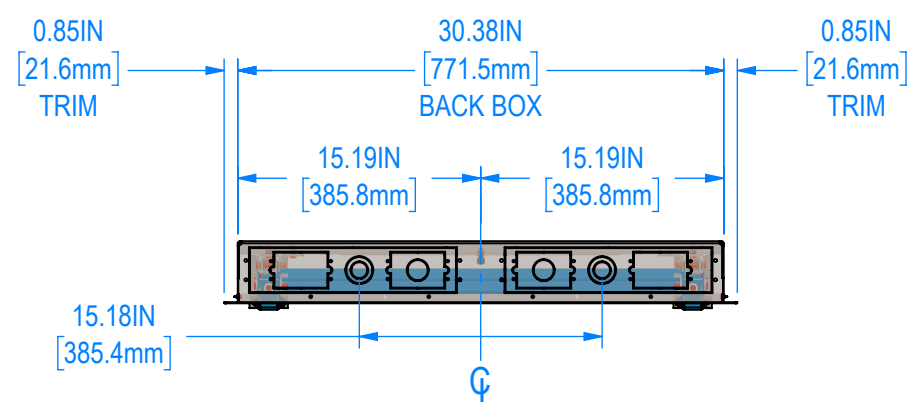


OPEN LOCK  
SEE SHEET 2  
FOR DETAIL

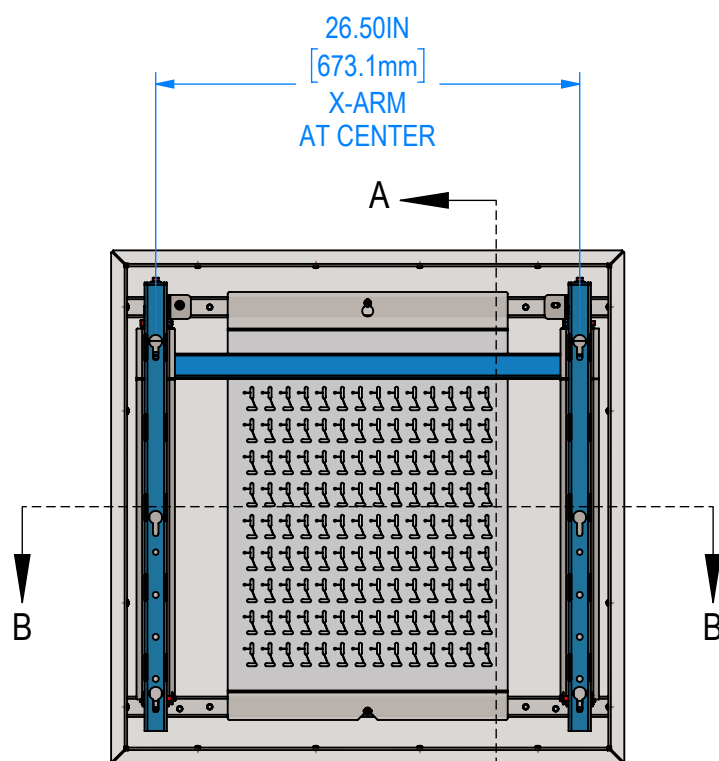
15.04IN [382.0mm]  
TRAVEL DISTANCE  
DEPTH VARIES  
BY DISPLAY



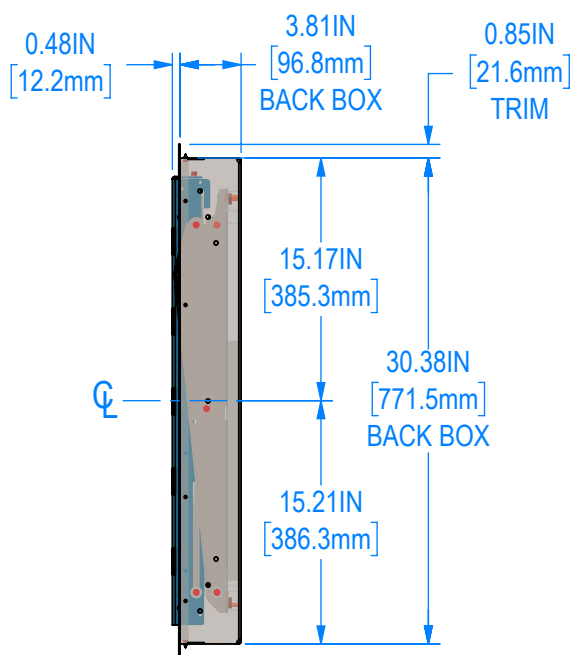
SECTION B-B



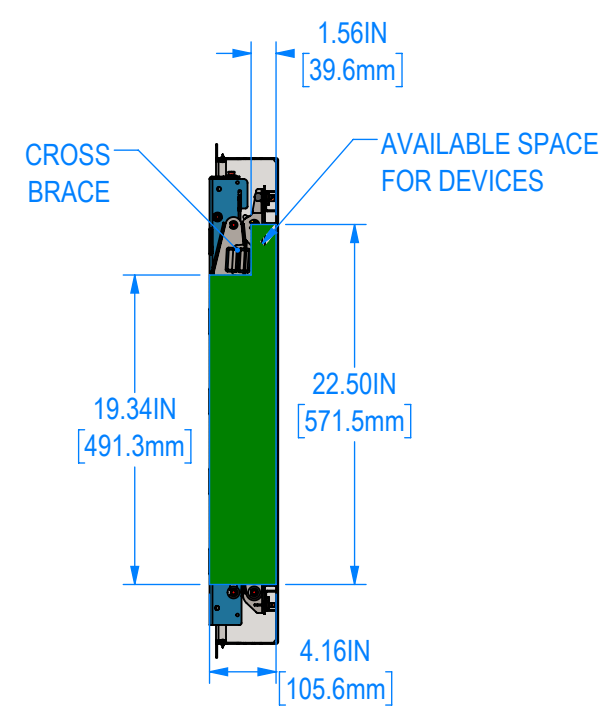
TOP VIEW



FRONT VIEW



SIDE VIEW



SECTION A-A

This drawing contains proprietary information owned or controlled by RPVisual Solutions and must not be used or disclosed without prior written authorization

DIMENSIONS ARE IN INCHES  
TOLERANCES ARE:  
FRACTIONS DECIMALS ANGLES  
X/X : ± 1/32 .XX : ± .03 .X : ± .5  
.XXX : ± .010 .XX : ± .20

APPROVED FOR FABRICATION

SIGNATURE: \_\_\_\_\_

DATE: \_\_\_\_\_

NOTES:

G			
F			
E			
C			
B			
A			

REV: DESCRIPTION: BY: DATE:

DEALER: \_\_\_\_\_

PROJECT: \_\_\_\_\_

SKU: RPWM-32MAXB6-XMR-LED-T

PART NO: 00071-00101-00

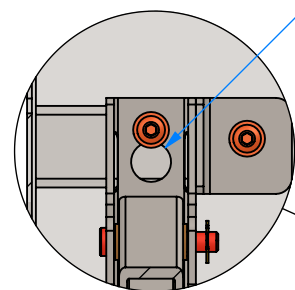
DESCRIPTION: MADE TO ORDER TILE BASED LED WALLMATE MOUNTING SYSTEM UP TO 137" DIA.

SIZE: B	DATE: 10/10/2023	DRAWN: GS	CHECKED: XXX
---------	------------------	-----------	--------------

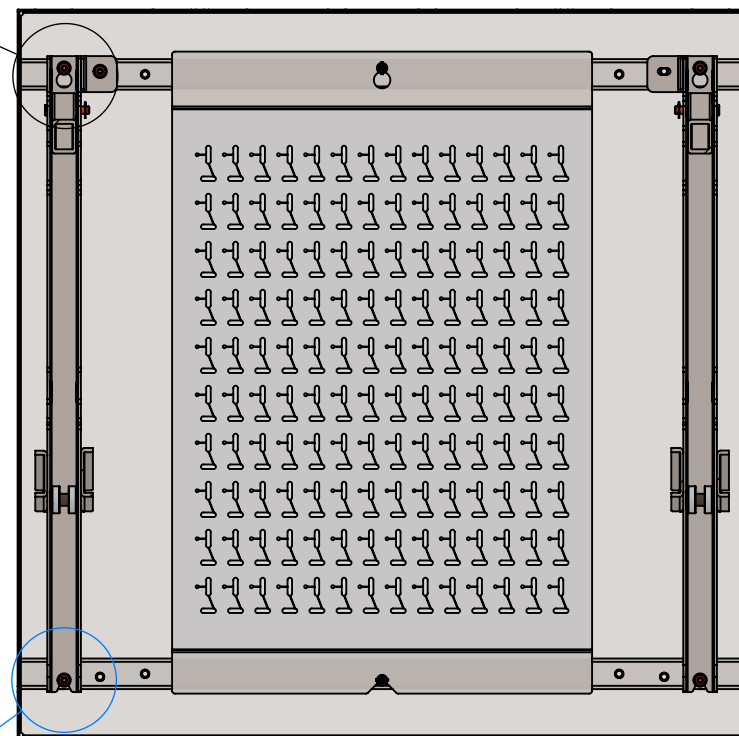
DWG. ID: RPWM-32MAXB6-XMR-LED-T.2

JOB NO:	SCALE: 1:8	REVISION:
	SHEET: 2 OF 4	

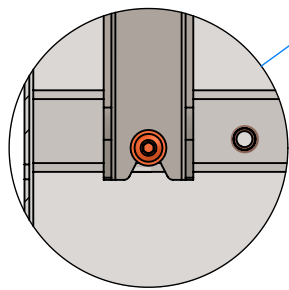
Ø 0.63IN  
[15.9mm]  
KEYHOLE X2,  
UPPER X-ARM



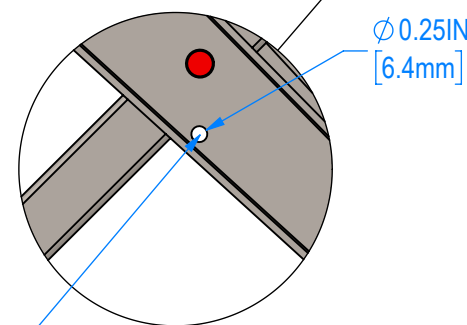
DETAIL D  
SCALE 1 : 3



SECTION C-C  
SCALE 1 : 8



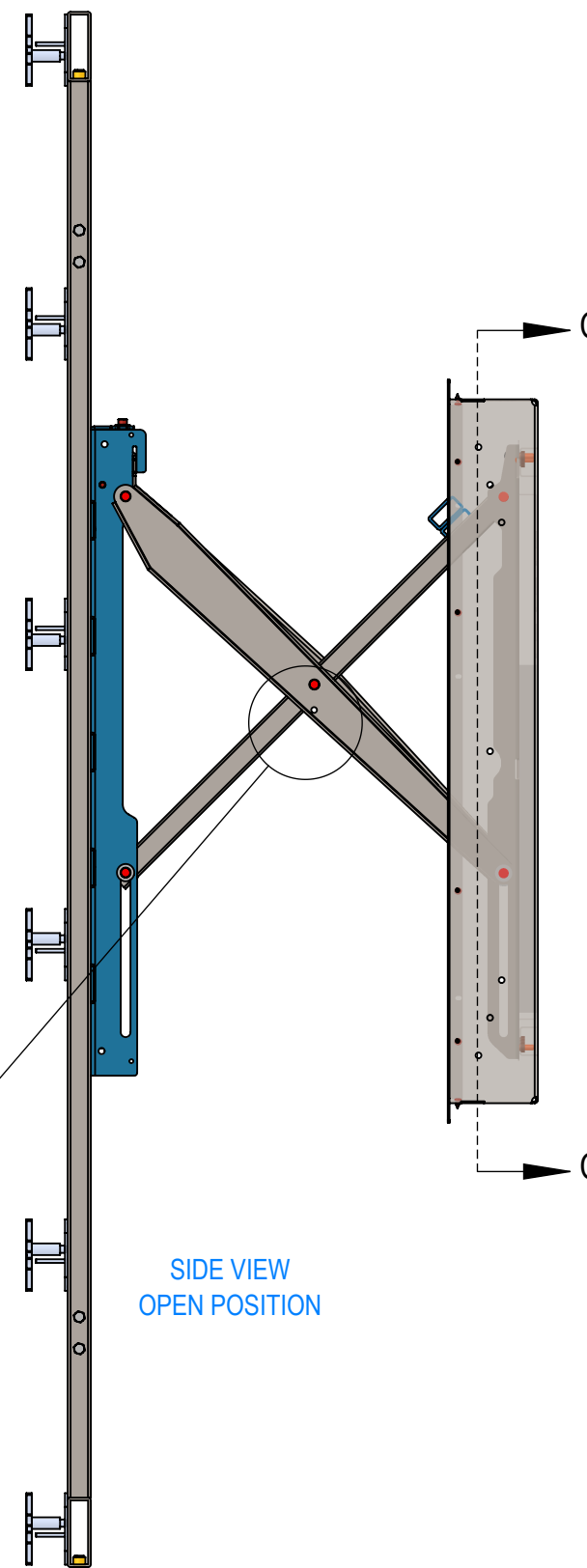
DETAIL E  
SCALE 1 : 3



DETAIL F  
SCALE 1 : 3

USE THIS LOCATION  
TO LOCK X-ARM  
IN OPEN POSITION

SIDE VIEW  
OPEN POSITION



This drawing contains proprietary information owned or controlled by RPVisual Solutions and must not be used or disclosed without prior written authorization

DIMENSIONS ARE IN INCHES  
TOLERANCES ARE:

FRACTIONS	DECIMALS	ANGLES
X/X : ± 1/32	.XX : ± .03 .XXX : ± .010	X : ± .5 .XX : ± .20

**APPROVED FOR FABRICATION**

SIGNATURE: \_\_\_\_\_

DATE: \_\_\_\_\_

NOTES:

1. FINISH: SEMI-GLOSS BLACK POWDER COAT
2. APPROXIMATE WEIGHT: 219.34 LBS

WALLMATE 32MAXB6  
BACK BOX KIT  
SKU: RPWM-32MAXB6-BOX-KIT  
WEIGHT: 43.83 LBS

BACK BOX 32MAXB6 WELDMENT  
WEIGHT: 32.04 LBS

PERIPHERAL PLATE FOR  
WALLMATE 32MAXB  
SKU: RPWM-32MAXB6-PM  
WEIGHT: 7.74 LBS

KEYWAYS AND SLOTS  
ATTACH ADAPTER HERE

**IMPORTANT**  
• LEVEL AND PLUMB  
WALLMATE BOX

**IMPORTANT**  
• USE ALL SEVEN MOUNTING  
POINTS PER SIDE  
• TYPE OF FESTENER SPECIFIED  
AND PROVIDED BY OTHERS

BEZEL TRIM 32MAXB6 KIT  
SKU: RPWM-32MAXB-BZL  
WEIGHT: 3.88 LBS

USE #8 X 3/8"  
SHEET METAL SCREWS  
X32

HEAVY DUTY ROLLER X-ARM  
FOR WALLMATE 32MAXB  
SKU: RPWM-32MAXB6-XMR  
WEIGHT: 41.52 LBS

1/4-20 X 3/4"  
FLANGED BUTTON  
HEAD SCREW  
X6

5/16-18 FLANGED  
LOCKNUT  
X6

TYP. INTERFACE PLATE  
FOR TILE BASED LED SYSTEM  
SKU: RPWM-32MAXB6-LED-TILE  
SEE SHEET 4 FOR  
DIMENSIONS  
WEIGHT: 133.96 LBS

FRONT ISO VIEW  
(EXPLODED)

- INSTALLATION NOTES:**
1. WALLMATE RPWM-32MAXB6-XMR CAN HOLD 820 LBS OF WEIGHT FOR DISPLAY AND ADAPTER
  2. CANNOT MOUNT INTO TYPICAL WALL BUILDS
  3. VERIFY WALL STRENGTH WITH STRUCTURAL ENGINEER. (COG DRAWINGS AVAILABLE UPON REQUEST.)
  4. CAN MOUNT TO OPTIONAL STEEL POSTS BY RPV (CALL FOR DETAILS)
  5. USE ALL FASTENING POINTS ON BOTH SIDES OF BOX

G			
F			
E			
C			
B			
A			

REV:	DESCRIPTION:	BY:	DATE:
------	--------------	-----	-------

DEALER: \_\_\_\_\_

PROJECT: \_\_\_\_\_

SKU: RPWM-32MAXB6-XMR-LED-T

PART NO: 00071-00101-00

DESCRIPTION: MADE TO ORDER TILE BASED LED WALLMATE MOUNTING SYSTEM UP TO 137" DIA.

SIZE: B	DATE: 10/10/2023	DRAWN: GS	CHECKED: XXX
---------	------------------	-----------	--------------

DWG. ID: RPWM-32MAXB6-XMR-LED-T.3

JOB NO:	SCALE: 1:12	REVISION:
	SHEET: 3 OF 4	

**NOTE TO CONTRACTOR:**  
 USE SUPPLIED HARDWARE WITH CAUTION:  
 - SCREWS CAN EXCEED DISPLAY INSERT LENGTH  
 - VERIFY INSERT LENGTH WITH DISPLAY  
 MANUFACTURER PRIOR TO USE

**DISPLAY MOUNTING HARDWARE PROVIDED BY RPV:**  
 QTY: 4 / UNIT - M6 X 16mm FLANGED SBHCS ALLOY  
 QTY: 4 / UNIT - M8 X 16mm, M8 X 20mm FLANGED SBHCS ALLOY  
 QTY: 4 / UNIT - M8 X 40mm SBHCS ALLOY  
 QTY: 4 / UNIT - 5/16" ID X 3/4" OD FLAT WASHER

This drawing contains proprietary information owned or controlled by RPVisual Solutions and must not be used or disclosed without prior written authorization

*DIMENSIONS ARE IN INCHES*

TOLERANCES ARE:		
FRACTIONS	DECIMALS	ANGLES
X/X : ± 1/32	.XX : ± .03 .XXX : ± .010	X : ± .5 .XX : ± .20

**APPROVED FOR FABRICATION**  
 SIGNATURE:

DATE:

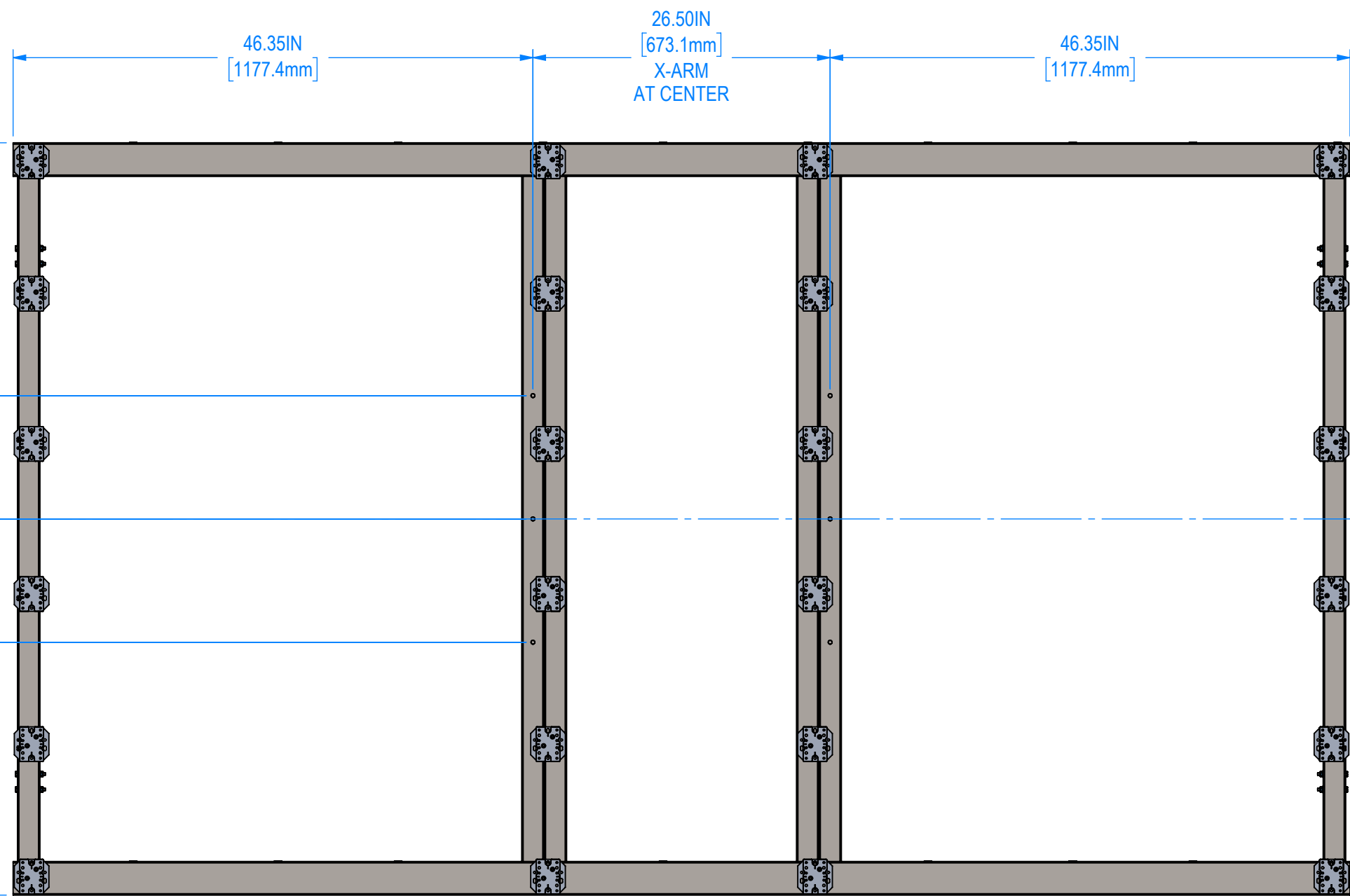
NOTES:

THICKNESS VARIES GREATLY BY DISPLAY  
 PLEASE CALL US FOR SPECIFIC DISPLAY INTERFACE DETAILS:  
 714-991-6400



TOP VIEW

3.53IN [89.6mm]



FRONT VIEW

←  
 DISPLAY THIS SIDE

3.53IN [89.6mm]

67.15IN [1705.7mm]  
 HEIGHT VARIES BY DISPLAY

SIDE VIEW

3.00IN [76.2mm]

G			
F			
E			
C			
B			
A			
REV:	DESCRIPTION:	BY:	DATE:
DEALER:			

PROJECT:

SKU: RPWM-32MAXB6-LED-TILE

PART NO: 00071-00101-10A

DESCRIPTION: TYPICAL INTERFACE PLATE FOR TILE BASED LED SYSTEM

SIZE: B	DATE: 10/10/2023	DRAWN: GS	CHECKED:
---------	------------------	-----------	----------

DWG. ID: RPWM-32MAXB6-XMR-LED-T.4

JOB NO:	SCALE: 1:12	REVISION:
	SHEET: 4 OF 4	