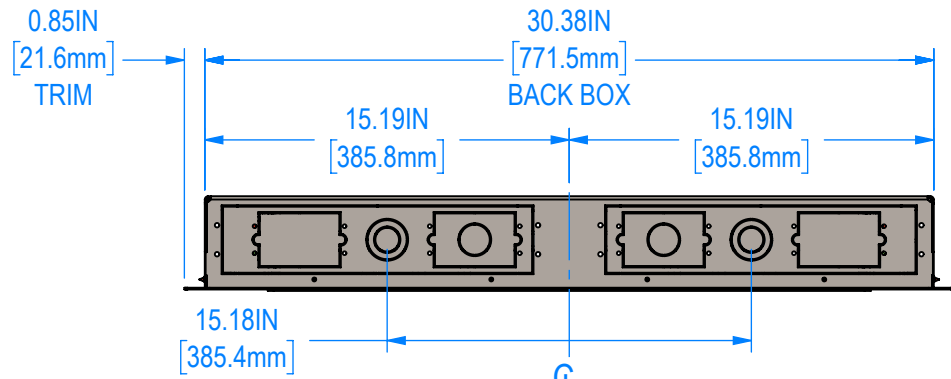


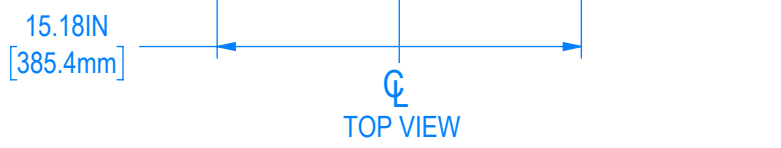
24.10IN [612.1mm]
DISTANCE BETWEEN X-ARM

SECTION B-B



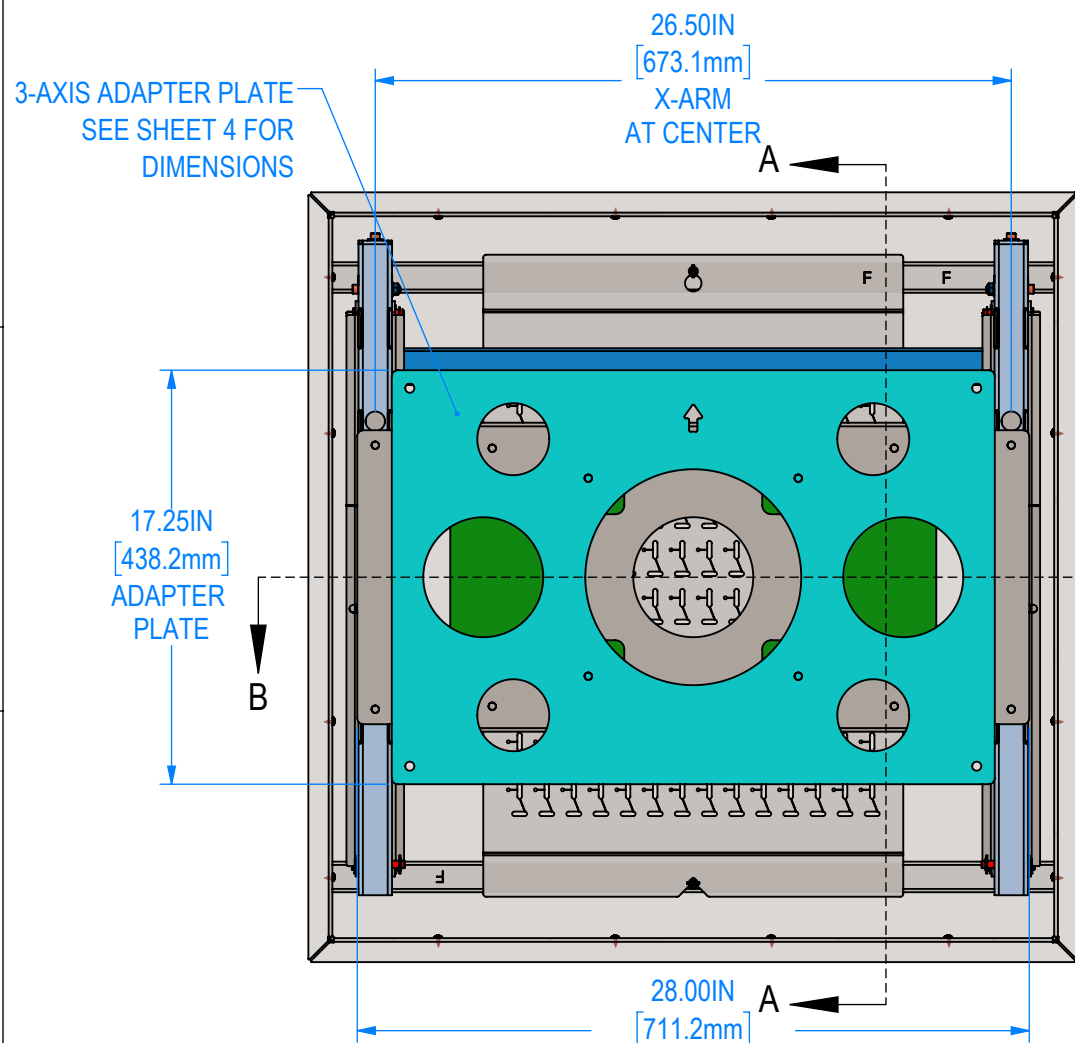
0.85IN [21.6mm] TRIM
30.38IN [771.5mm] BACK BOX
15.19IN [385.8mm]

TOP VIEW



15.18IN [385.4mm]
28.00IN [711.2mm] ADAPTER PLATE

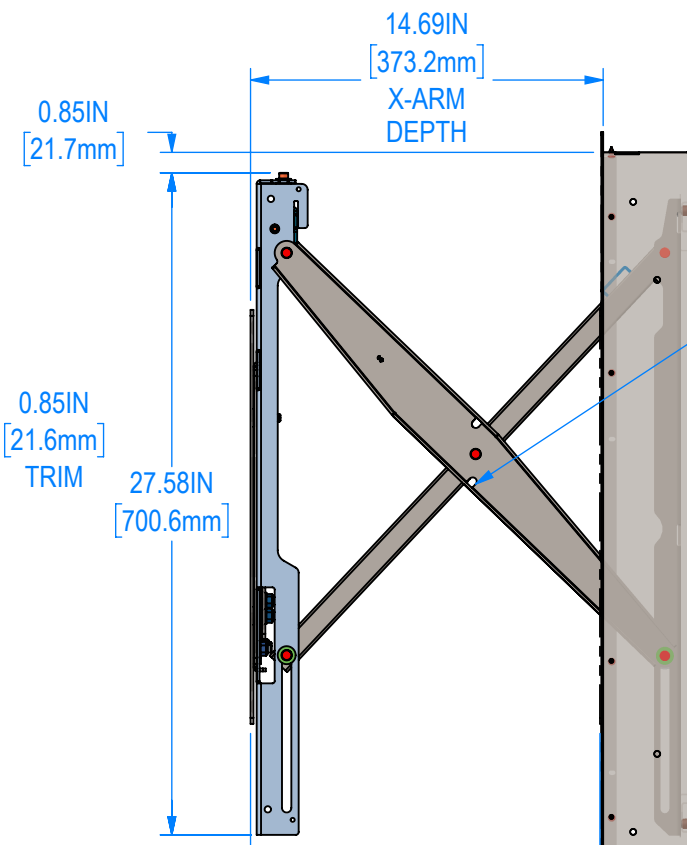
FRONT VIEW



3-AXIS ADAPTER PLATE
SEE SHEET 4 FOR DIMENSIONS

26.50IN [673.1mm] X-ARM AT CENTER

ADAPTER PLATE



14.69IN [373.2mm] X-ARM DEPTH
0.85IN [21.7mm] TRIM
27.58IN [700.6mm]

X-ARM OPEN



1.94IN [49.2mm]
0.85IN [21.6mm] TRIM
3.81IN [96.8mm] BACK BOX
15.19IN [385.8mm]
30.38IN [771.5mm] BACK BOX
15.19IN [385.8mm]

SIDE VIEW

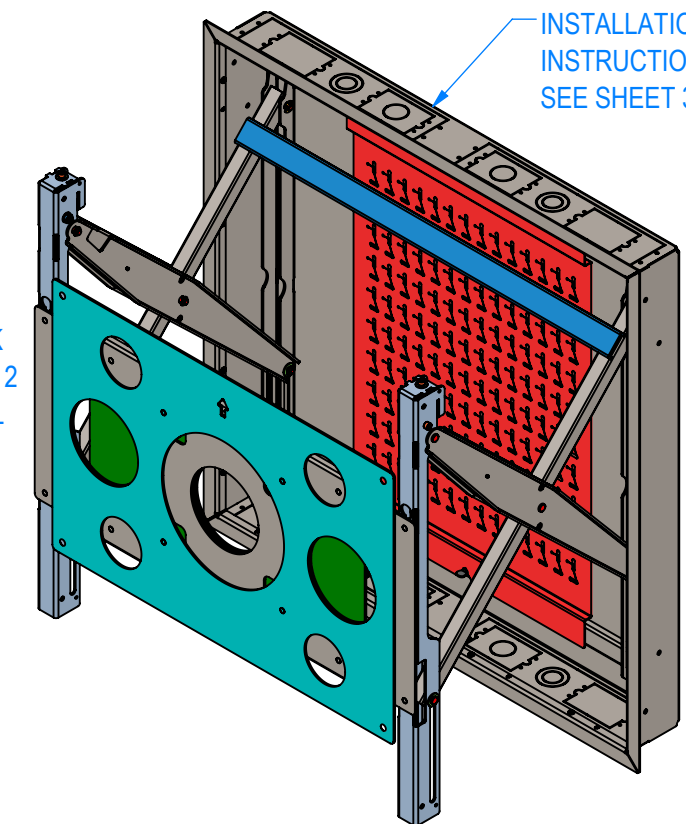


0.85IN [21.6mm] TRIM
19.34IN [491.2mm]
2.56IN [65.1mm]

SECTION A-A



14.56IN [369.8mm] TRAVEL DISTANCE



ISOMETRIC VIEW
SCALE 1:10

INSTALLATION INSTRUCTIONS
SEE SHEET 3



1275 S Lewis St, Anaheim, CA 92805
P: 714-991-6400 | C: 714-390-8572
www.rpvisuals.com

This drawing contains proprietary information owned or controlled by RPVisual Solutions and must not be used or disclosed without prior written authorization

DIMENSIONS ARE IN INCHES
TOLERANCES ARE:
FRACTIONS: X/X : ± 1/32
DECIMALS: .XX : ± .03
 .XXX : ± .010
ANGLES: X : ± .5
 .XX : ± .20

APPROVED FOR FABRICATION
SIGNATURE:

DATE:

NOTES:

- 1. FINISH: SEMI-GLOSS BLACK POWDER COAT
- 2. APPROXIMATE WEIGHT: 105.54 LBS

G			
F			
E			
C			
B			
A			
REV:	DESCRIPTION:	BY:	DATE:
DEALER:			

PROJECT:

SKU: RPWM-32MAXBF-XMS-ADA-HVSB

PART NO: 0003-110-00

DESCRIPTION: FLUSH CLOSE, THIN ADA SHIFT MOUNTING PLATE - PULL OUT WALLMATE 32MAXBF KIT

SIZE: B DATE: 9/19/2023 DRAWN: GS CHECKED: XXX

DWG. ID: RPWM-32MAXBF-XMS-ADA-HVSB.1

JOB NO: SCALE: 1:8 SHEET: 1 OF 4 REVISION:

This drawing contains proprietary information owned or controlled by RPVisual Solutions and must not be used or disclosed without prior written authorization

DIMENSIONS ARE IN INCHES

TOLERANCES ARE:

FRACTIONS	DECIMALS	ANGLES
X/X : ± 1/32	.XX : ± .03	.X : ± .5
	.XXX : ± .010	.XX : ± .20

APPROVED FOR FABRICATION

SIGNATURE: _____

DATE: _____

NOTES:

G			
F			
E			
C			
B			
A			

REV: DESCRIPTION: BY: DATE:

DEALER: _____

PROJECT: _____

SKU: RPWM-32MAXBF-XMS-ADA-HVSB

PART NO: 0003-110-00

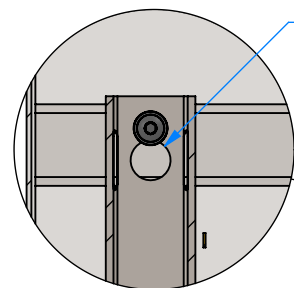
DESCRIPTION: FLUSH CLOSE, THIN ADA SHIFT MOUNTING PLATE - PULL OUT WALLMATE 32MAXBF KIT

SIZE: B	DATE: 9/19/2023	DRAWN: GS	CHECKED: XXX
---------	-----------------	-----------	--------------

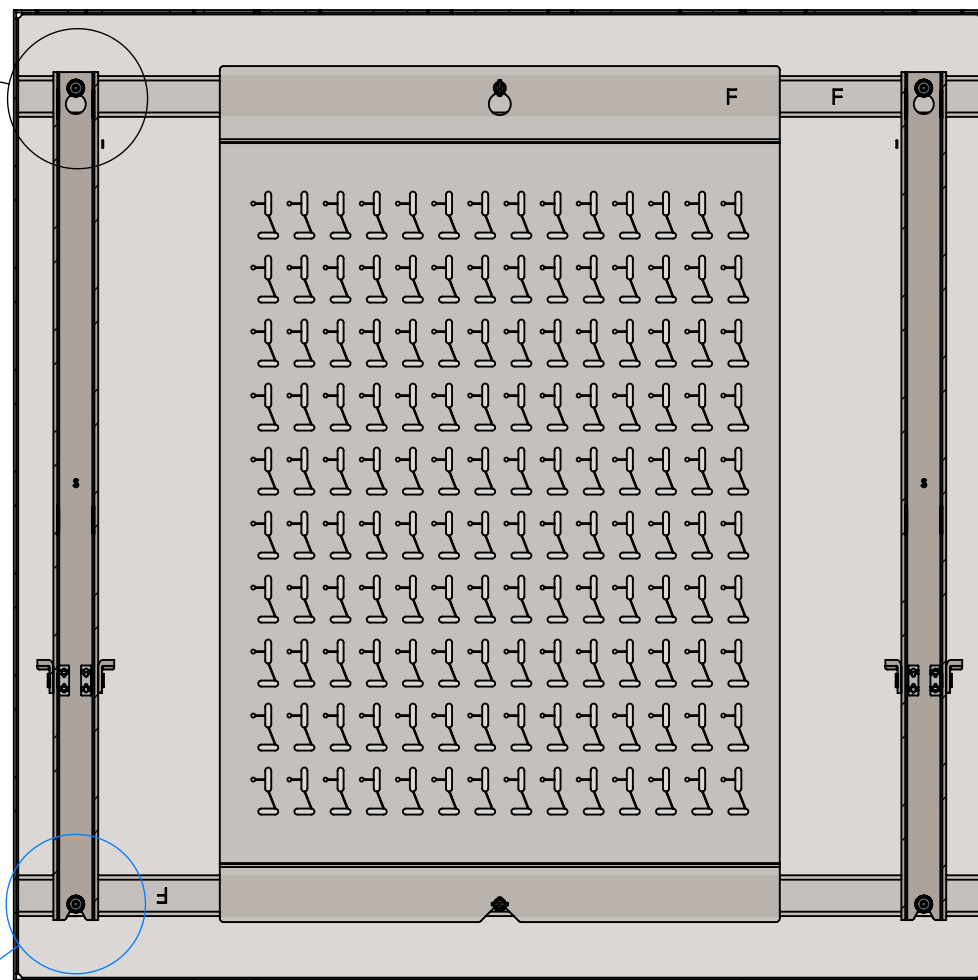
DWG. ID: RPWM-32MAXBF-XMS-ADA-HVSB.2

JOB NO:	SCALE: 1:6	REVISION:
	SHEET: 2 OF 4	

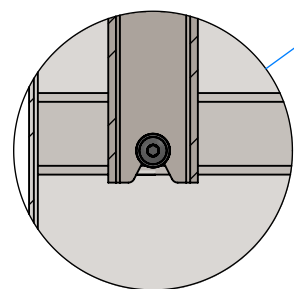
Ø 0.63IN
[15.9mm]
KEYHOLE X2,
UPPER X-ARM



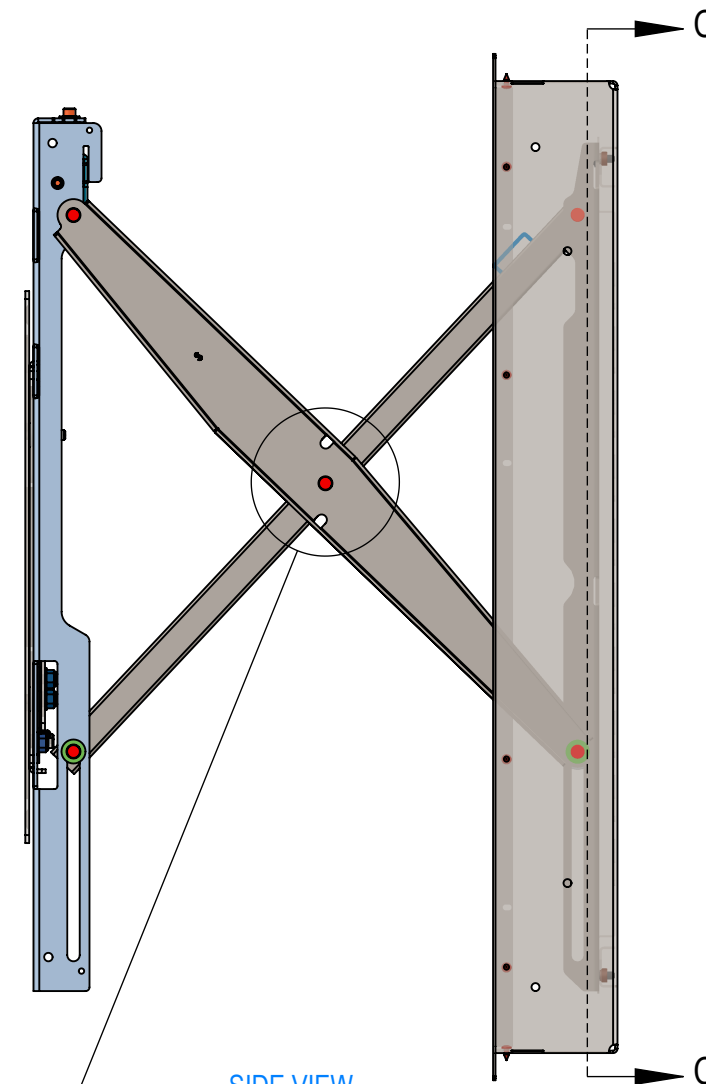
DETAIL D
SCALE 1 : 3



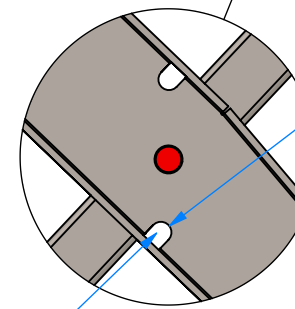
SECTION C-C



DETAIL E
SCALE 1 : 3



SIDE VIEW
OPEN POSITION



DETAIL F
SCALE 1 : 3

USE THIS LOCATION
TO LOCK X-ARM
IN OPEN POSITION

Ø 0.33IN
[8.4mm]

This drawing contains proprietary information owned or controlled by RPVisual Solutions and must not be used or disclosed without prior written authorization

DIMENSIONS ARE IN INCHES
TOLERANCES ARE:

FRACTIONS	DECIMALS	ANGLES
X/X : ± 1/32	.XX : ± .03	.X : ± .5
	.XXX : ± .010	.XX : ± .20

APPROVED FOR FABRICATION

SIGNATURE: _____

DATE: _____

NOTES:

1. FINISH: SEMI-GLOSS BLACK POWDER COAT
2. APPROXIMATE WEIGHT: 105.54 LBS

G			
F			
E			
C			
B			
A			

REV: DESCRIPTION: _____ BY: _____ DATE: _____

DEALER: _____

PROJECT: _____

SKU: RPWM-32MAXBF-XMS-ADA-HVSB

PART NO: 0003-110-00

DESCRIPTION: FLUSH CLOSE, THIN ADA SHIFT MOUNTING PLATE - PULL OUT WALLMATE 32MAXBF KIT

SIZE: B	DATE: 9/19/2023	DRAWN: GS	CHECKED: XXX
---------	-----------------	-----------	--------------

DWG. ID: RPWM-32MAXBF-XMS-ADA-HVSB.3

JOB NO:	SCALE: 1:8	REVISION:
	SHEET: 3 OF 4	

WALLMATE 32MAX STANDARD DEPTH FLUSH CLOSE BACK BOX
SKU: RPWM-32MAXBF-BOX-KIT
WEIGHT: 43.01 LBS

PERIPHERAL PLATE FOR WALLMATE 32MAX BF & BS SERIES
SKU: RPWM-32MAXBF-PM
WEIGHT: 7.59 LBS

BACK BOX 32MAXB WELDMENT
WEIGHT: 31.42 LBS

IMPORTANT
• LEVEL AND PLUMB WALLMATE BOX

IMPORTANT
• USE ALL FOUR MOUNTING POINTS PER SIDE
• TYPE OF FESTENER SPECIFIED AND PROVIDED BY OTHERS

BEZEL TRIM 32MAXB KIT
SKU: RPWM-32MAXB-BZL
WEIGHT: 3.88 LBS

USE #8 X 3/8" SHEET METAL SCREWS X32

WALLMATE 32MAXB SLIM X-ARM KIT
SKU: RPWM-32MAXB-XMS
WEIGHT: 30.9 LBS

5/16-18 FLANGED LOCKNUT X4

1/4-20 X 3/4" FLANGED BUTTON HEAD SCREW X4

KEYWAYS AND SLOTS ATTACH ADAPTER HERE

THIN SHIFT PLATE FOR WALLMATE 32/32MAX SYSTEMS
SKU: RPWM-32MAXBF-ADA-HVSB
SEE SHEET 4 FOR DIMENSIONS
WEIGHT: 31.56 LBS

FRONT ISO VIEW (EXPLODED)

INSTALLATION NOTES:

1. FOR MOUNTING IN METAL STUDS: WALLMATE 32MAXBF CAN MOUNT IN TYPICAL METAL STUDS AND HOLDS 325 LBS CAPACITY
2. VERIFY FASTENING METHOD WITH STRUCTURAL ENGINEER PRIOR TO INSTALLATION
3. VERIFY WALL STRENGTH PRIOR TO INSTALLATION
4. USE ALL FASTENING POINTS ON BOTH SIDES OF BOX

NOTE TO CONTRACTOR:
 USE SUPPLIED HARDWARE WITH CAUTION:
 - SCREWS CAN EXCEED DISPLAY INSERT LENGTH
 - VERIFY INSERT LENGTH WITH DISPLAY
 MANUFACTURER PRIOR TO USE

DISPLAY MOUNTING HARDWARE PROVIDED BY RPV:
 QTY: 4 / UNIT - M6 X 16mm FLANGED SBHCS ALLOY
 QTY: 4 / UNIT - M8 X 16mm, M8 X 20mm FLANGED SBHCS ALLOY
 QTY: 4 / UNIT - M8 X 40mm SBHCS ALLOY
 QTY: 4 / UNIT - 5/16" ID X 3/4" OD FLAT WASHER

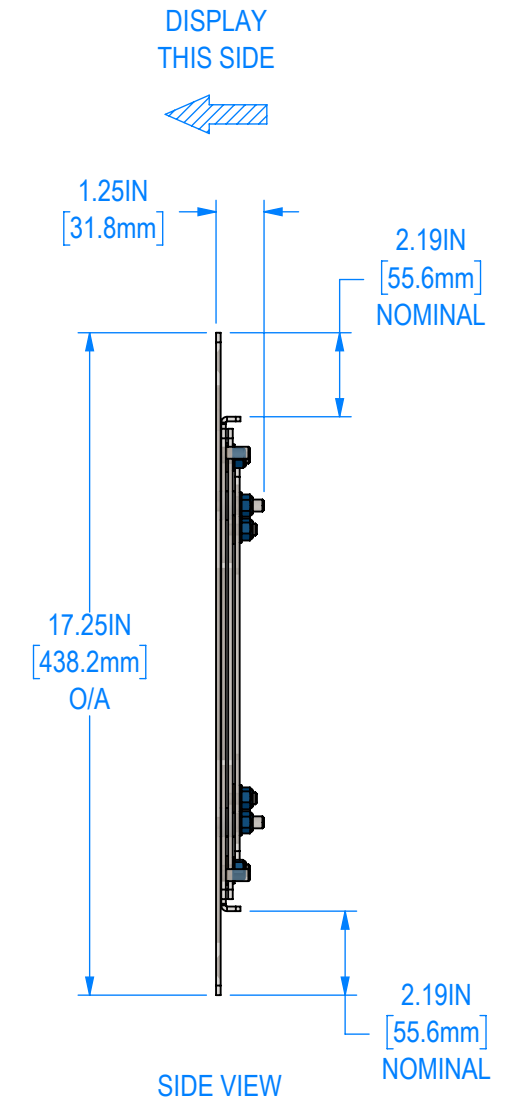
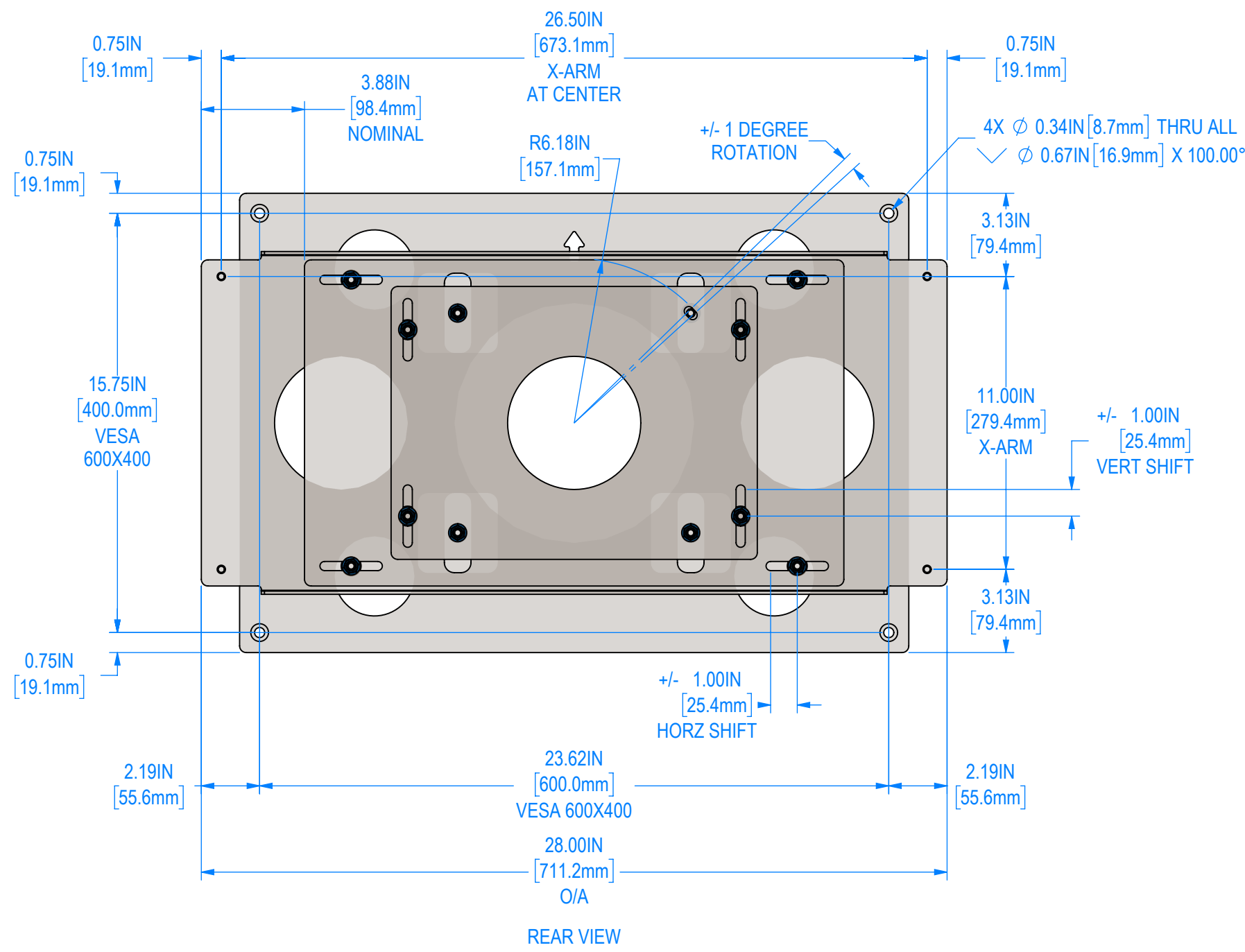
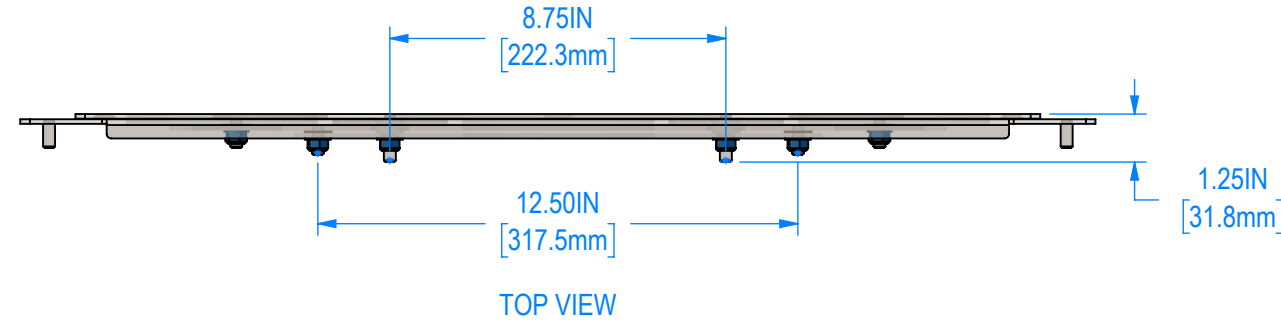
This drawing contains proprietary information owned or controlled by RPVisual Solutions and must not be used or disclosed without prior written authorization.

DIMENSIONS ARE IN INCHES
 TOLERANCES ARE:
 FRACTIONS DECIMALS ANGLES
 X/X : ± 1/32 .XX : ± .03 .X : ± .5
 .XXX : ± .010 .XX : ± .20

APPROVED FOR FABRICATION
 SIGNATURE:

DATE:

NOTES:
 1. FINISH: SEMI-GLOSS BLACK POWDER COAT
 2. APPROXIMATE WEIGHT: 31.56 LBS



G			
F			
E			
C			
B			
A			
REV:	DESCRIPTION:	BY:	DATE:
DEALER:			

PROJECT:

SKU: RPWM-32MAXBF-ADA-HVSB

PART NO: P4973F-012-00

DESCRIPTION:
 THIN SHIFT PLATE FOR WALLMATE
 32/32MAX SYSTEMS

SIZE: B DATE: 9/19/2023 DRAWN: GS CHECKED: XXX

DWG. ID: RPWM-32MAXBF-XMS-ADA-HVSB.4

JOB NO: SCALE: 1:5 SHEET: 4 OF 4 REVISION: