

This drawing contains proprietary information owned or controlled by RPVisual Solutions and must not be used or disclosed without prior written authorization

DIMENSIONS ARE IN INCHES
TOLERANCES ARE:
FRACTIONS: X/X : ± 1/32
DECIMALS: .XX : ± .03
 .XXX : ± .010
ANGLES: X : ± .5
 .XX : ± .20

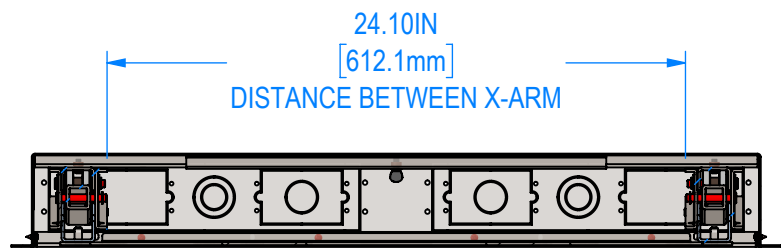
APPROVED FOR FABRICATION

SIGNATURE: _____

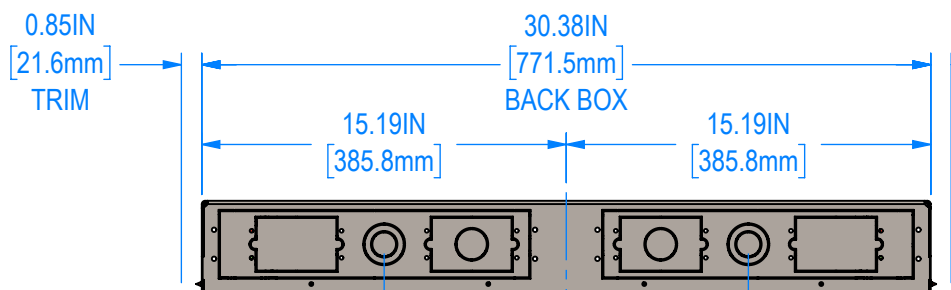
DATE: _____

NOTES:

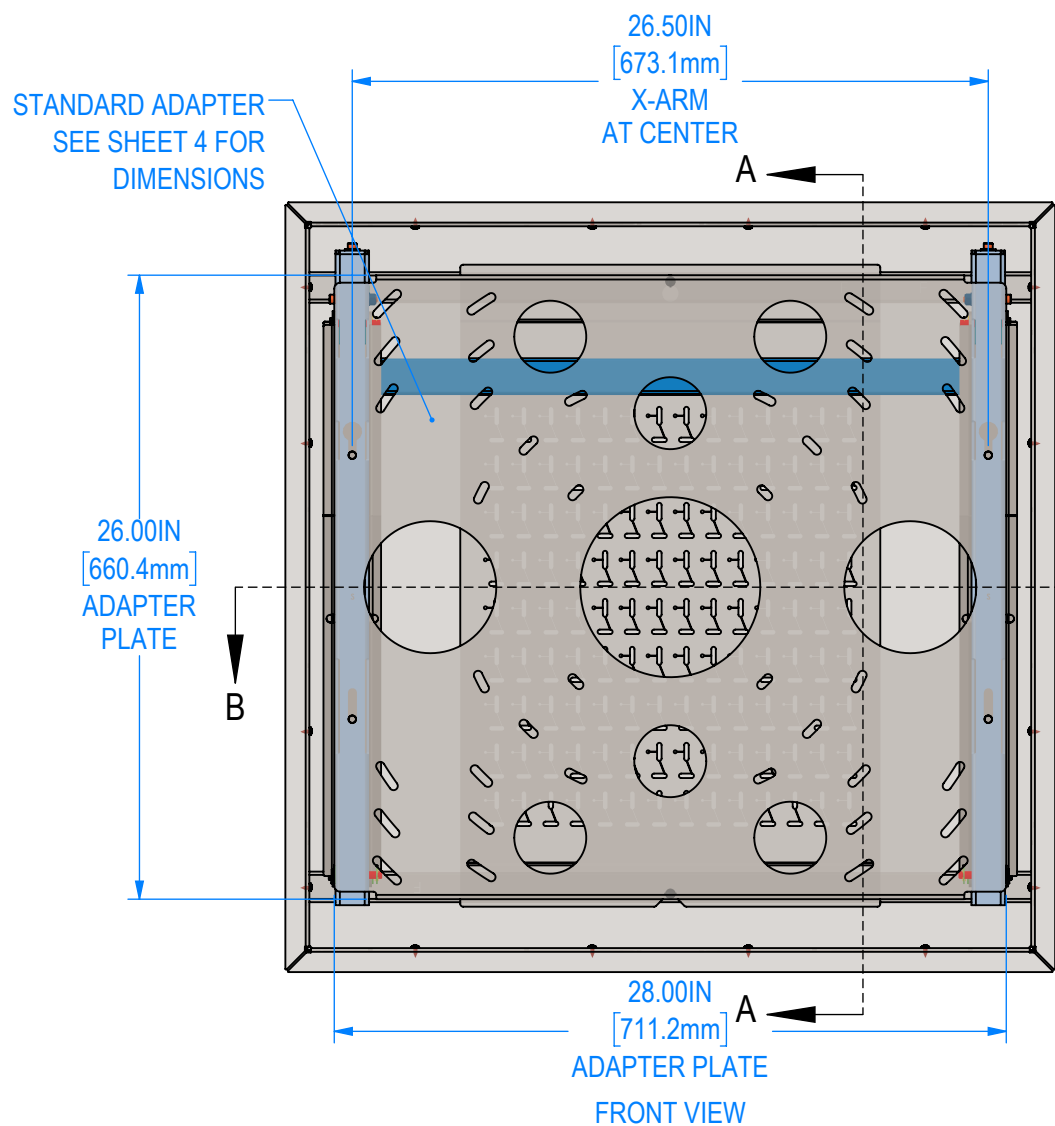
1. FINISH: SEMI-GLOSS BLACK POWDER COAT
2. APPROXIMATE WEIGHT: 94.24 LBS



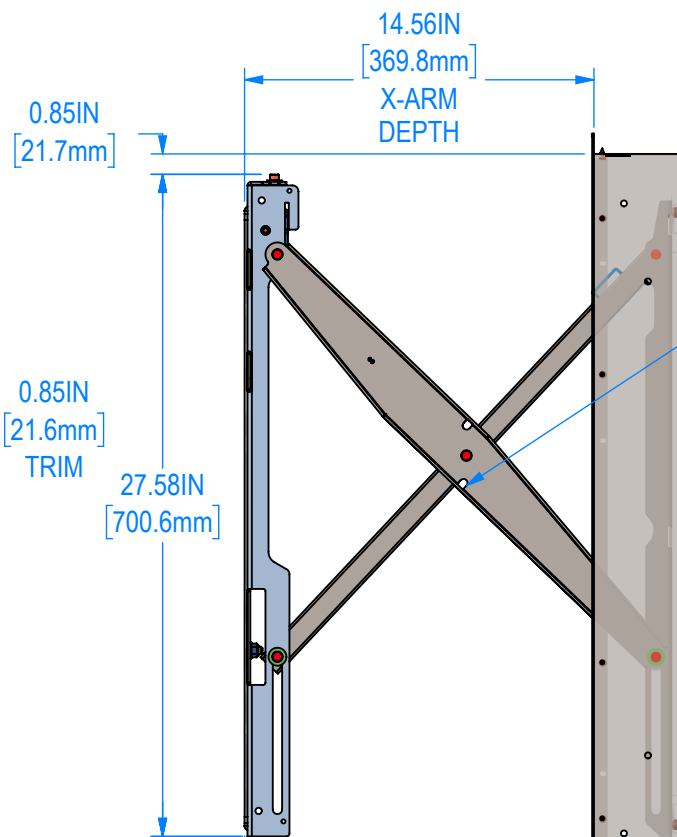
SECTION B-B



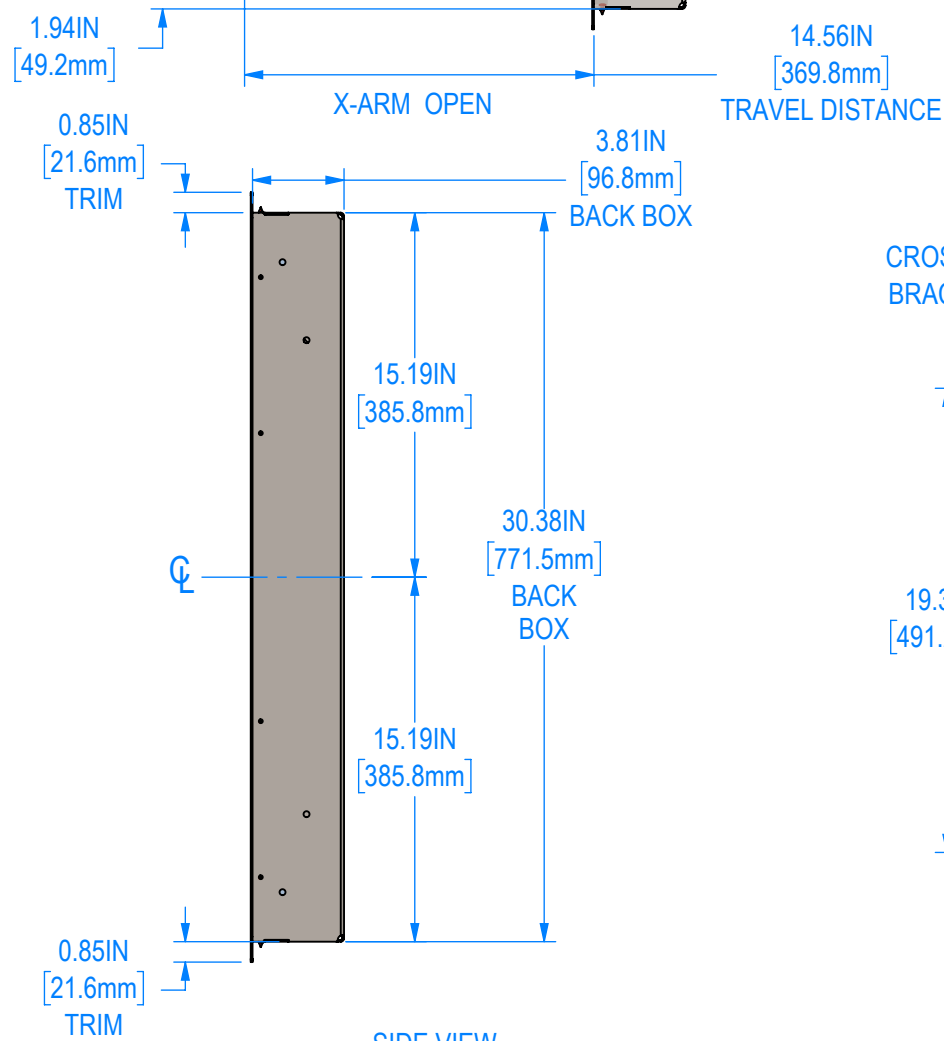
TOP VIEW



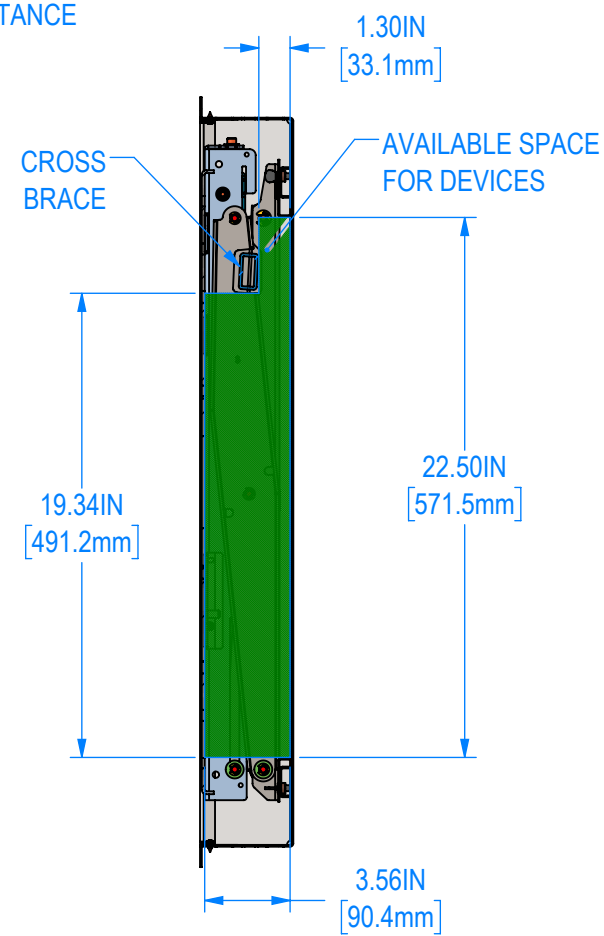
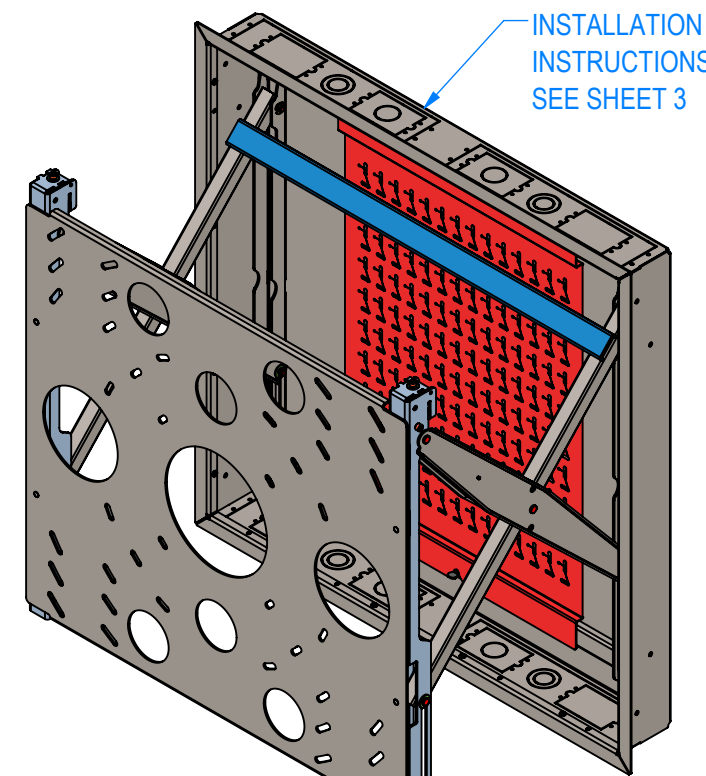
FRONT VIEW



SIDE VIEW



ISOMETRIC VIEW
SCALE 1:10



SECTION A-A

G			
F			
E			
C			
B	CONDUIT SPACER WAS 15.975"	GS	9/18/2023
A	BACK BOX ADVANCED TO REV A	GS	9/18/2023
REV:	DESCRIPTION:	BY:	DATE:

DEALER: _____

PROJECT: _____

SKU: RPWM-32MAXBF-XMS-ADA

PART NO: 0003-100-00B

DESCRIPTION: FLUSH CLOSE, THIN ADA MOUNTING PLATE - PULL OUT WALLMATE 32MAXBF KIT

SIZE: B	DATE: 9/18/2023	DRAWN: GS	CHECKED: XXX
---------	-----------------	-----------	--------------

DWG. ID: RPWM-32MAXBF-XMS-ADA.1

JOB NO:	SCALE: 1:8	REVISION: B
	SHEET: 1 OF 4	

This drawing contains proprietary information owned or controlled by RPVisual Solutions and must not be used or disclosed without prior written authorization

DIMENSIONS ARE IN INCHES

TOLERANCES ARE:

FRACTIONS	DECIMALS	ANGLES
X/X : ± 1/32	.XX : ± .03	.X : ± .5
	.XXX : ± .010	.XX : ± .20

APPROVED FOR FABRICATION

SIGNATURE: _____

DATE: _____

NOTES:

G			
F			
E			
C			
B			
A			

REV: DESCRIPTION: BY: DATE:

DEALER:

PROJECT:

SKU: RPWM-32MAXBF-XMS-ADA

PART NO: 0003-100-00B

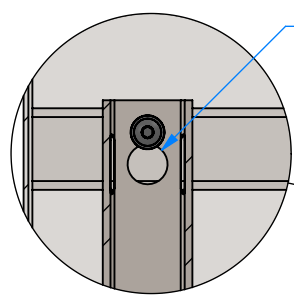
DESCRIPTION: FLUSH CLOSE, THIN ADA MOUNTING PLATE - PULL OUT WALLMATE 32MAXBF KIT

SIZE: B	DATE: 9/18/2023	DRAWN: GS	CHECKED: XXX
---------	-----------------	-----------	--------------

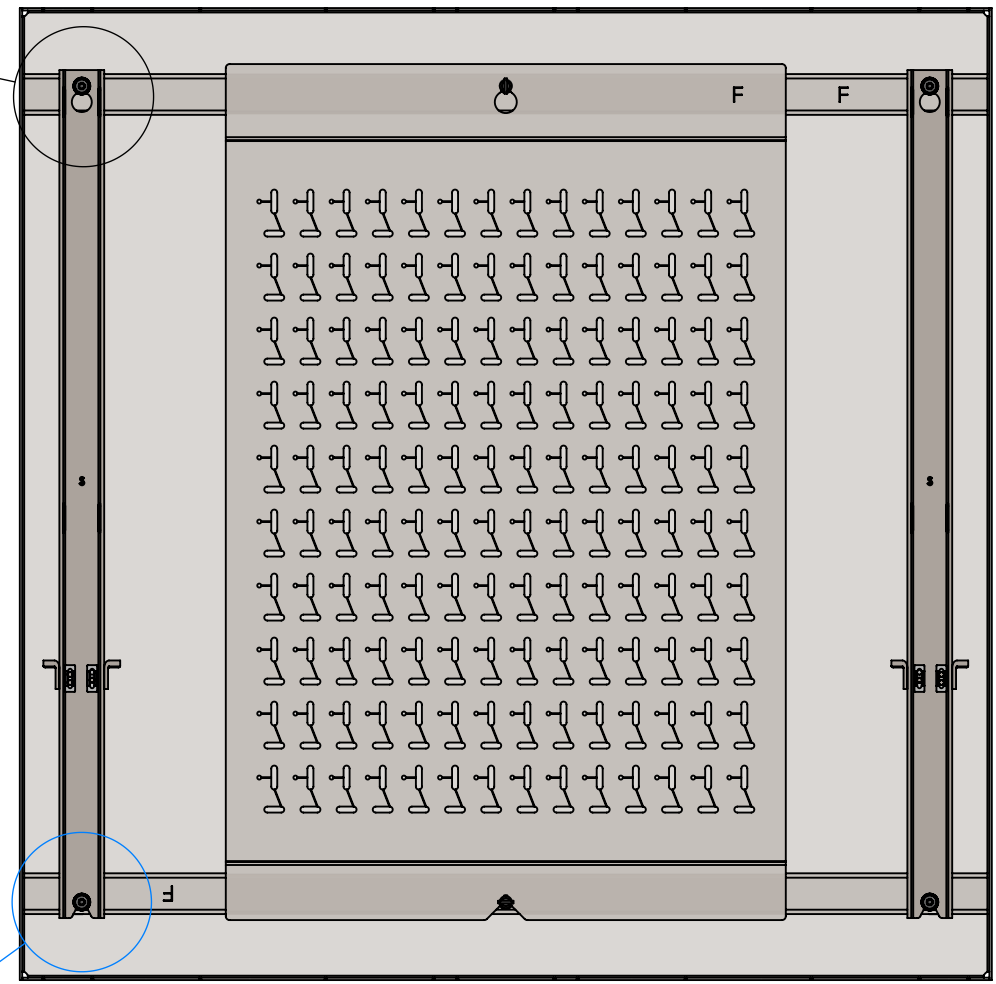
DWG. ID: RPWM-32MAXBF-XMS-ADA.2

JOB NO:	SCALE: 1:6	REVISION:
	SHEET: 2 OF 4	B

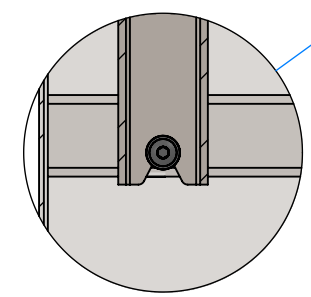
Ø 0.63IN
 [15.9mm]
 KEYHOLE X2,
 UPPER X-ARM



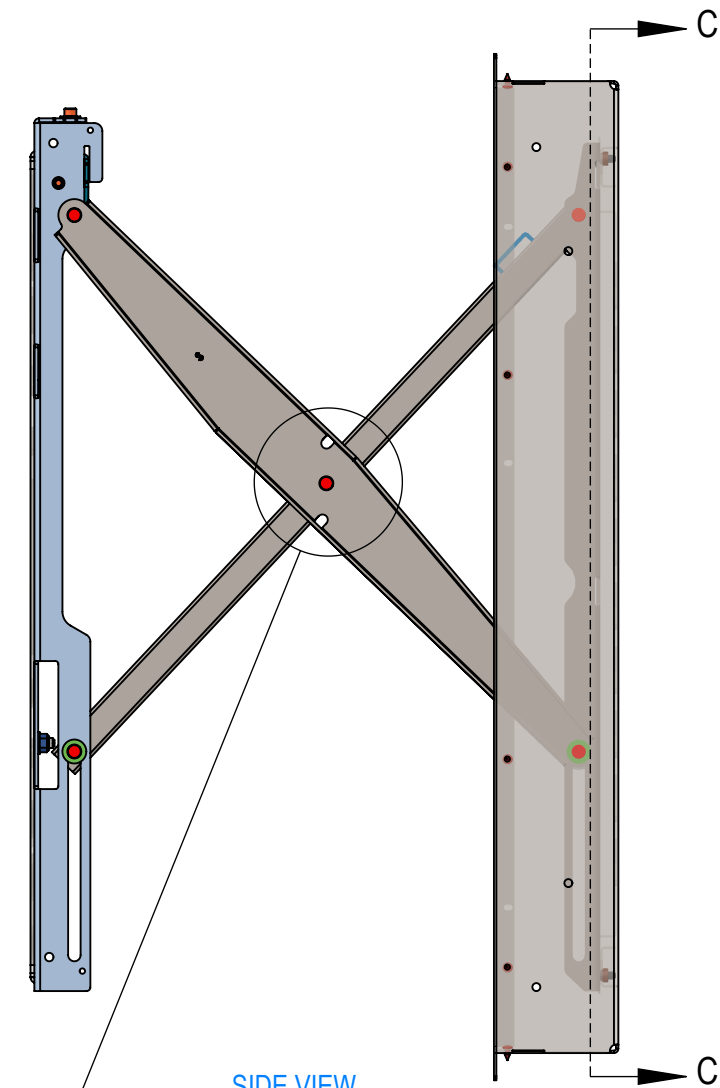
DETAIL D
 SCALE 1 : 3



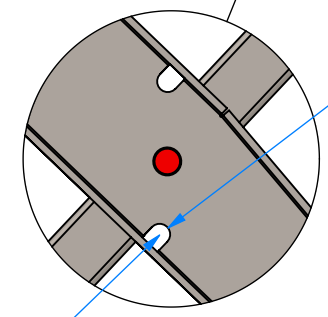
SECTION C-C



DETAIL E
 SCALE 1 : 3



SIDE VIEW
 OPEN POSITION



DETAIL F
 SCALE 1 : 3

USE THIS LOCATION
 TO LOCK X-ARM
 IN OPEN POSITION

Ø 0.33IN
 [8.4mm]

This drawing contains proprietary information owned or controlled by RPVisual Solutions and must not be used or disclosed without prior written authorization

DIMENSIONS ARE IN INCHES
TOLERANCES ARE:

FRACTIONS	DECIMALS	ANGLES
X/X : ± 1/32	.XX : ± .03 .XXX : ± .010	.X : ± .5 .XX : ± .20

APPROVED FOR FABRICATION

SIGNATURE: _____

DATE: _____

NOTES:

1. FINISH: SEMI-GLOSS BLACK POWDER COAT
2. APPROXIMATE WEIGHT: 94.24 LBS

G			
F			
E			
C			
B			
A			

REV: DESCRIPTION: _____ BY: _____ DATE: _____

DEALER: _____

PROJECT: _____

SKU: RPWM-32MAXBF-XMS-ADA

PART NO: 0003-100-00B

DESCRIPTION: FLUSH CLOSE, THIN ADA MOUNTING PLATE - PULL OUT WALLMATE 32MAXBF KIT

SIZE: B	DATE: 9/18/2023	DRAWN: GS	CHECKED: XXX
---------	-----------------	-----------	--------------

DWG. ID: RPWM-32MAXBF-XMS-ADA.3

JOB NO:	SCALE: 1:8	REVISION: B
	SHEET: 3 OF 4	

WALLMATE 32MAX STANDARD DEPTH FLUSH CLOSE BACK BOX
SKU: RPWM-32MAXBF-BOX-KIT
WEIGHT: 43.01 LBS

PERIPHERAL PLATE FOR WALLMATE 32MAX BF & BS SERIES
SKU: RPWM-32MAXBF-PM
WEIGHT: 7.59 LBS

BACK BOX 32MAXB WELDMENT
WEIGHT: 31.42 LBS

IMPORTANT
• LEVEL AND PLUMB WALLMATE BOX

IMPORTANT
• USE ALL FOUR MOUNTING POINTS PER SIDE
• TYPE OF FESTENER SPECIFIED AND PROVIDED BY OTHERS

BEZEL TRIM 32MAXB KIT
SKU: RPWM-32MAXB-BZL
WEIGHT: 3.88 LBS

USE #8 X 3/8" SHEET METAL SCREWS X32

WALLMATE 32MAXB SLIM X-ARM KIT
SKU: RPWM-32MAXB-XMS
WEIGHT: 30.9 LBS

5/16-18 FLANGED LOCKNUT X4

1/4-20 X 3/4" FLANGED BUTTON HEAD SCREW X4

KEYWAYS AND SLOTS ATTACH ADAPTER HERE

THIN ADA PLATE FOR WALLMATE 32MAXBF SYSTEM
SKU: RPWM-32MAXBF-ADA
SEE SHEET 4 FOR DIMENSIONS
WEIGHT: 20.26 LBS

FRONT ISO VIEW (EXPLODED)

INSTALLATION NOTES:

1. FOR MOUNTING IN METAL STUDS: WALLMATE 32MAXBF CAN MOUNT IN TYPICAL METAL STUDS AND HOLDS 325 LBS CAPACITY
2. VERIFY FASTENING METHOD WITH STRUCTURAL ENGINEER PRIOR TO INSTALLATION
3. VERIFY WALL STRENGTH PRIOR TO INSTALLATION
4. USE ALL FASTENING POINTS ON BOTH SIDES OF BOX

NOTE TO CONTRACTOR:
 USE SUPPLIED HARDWARE WITH CAUTION:
 - SCREWS CAN EXCEED DISPLAY INSERT LENGTH
 - VERIFY INSERT LENGTH WITH DISPLAY
 MANUFACTURER PRIOR TO USE

DISPLAY MOUNTING HARDWARE PROVIDED BY RPV:
 QTY: 4 / UNIT - M6 X 16mm FLANGED SBHCS ALLOY
 QTY: 4 / UNIT - M8 X 16mm, M8 X 20mm FLANGED SBHCS ALLOY
 QTY: 4 / UNIT - M8 X 40mm SBHCS ALLOY
 QTY: 4 / UNIT - 5/16" ID X 3/4" OD FLAT WASHER

This drawing contains proprietary information owned or controlled by RPVisual Solutions and must not be used or disclosed without prior written authorization

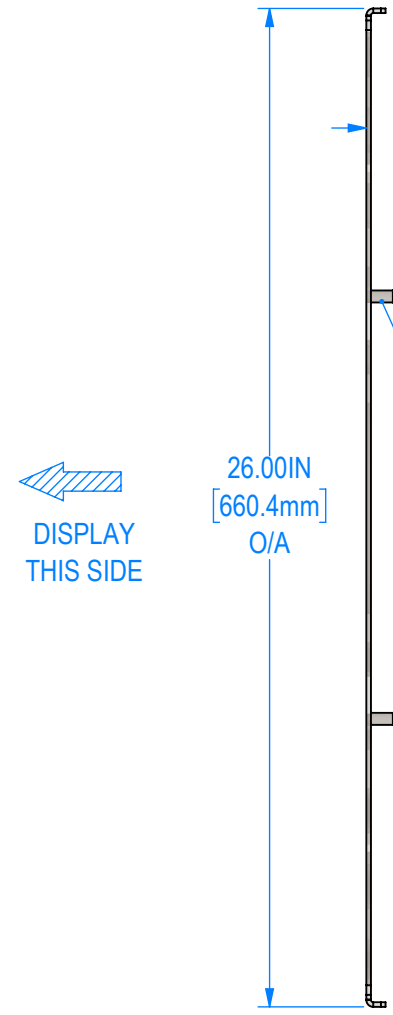
DIMENSIONS ARE IN INCHES
 TOLERANCES ARE:
 FRACTIONS: X/X : ± 1/32
 DECIMALS: .XX : ± .03
 .XXX : ± .010
 ANGLES: X : ± .5
 .XX : ± .20

APPROVED FOR FABRICATION
 SIGNATURE:

DATE:

NOTES:

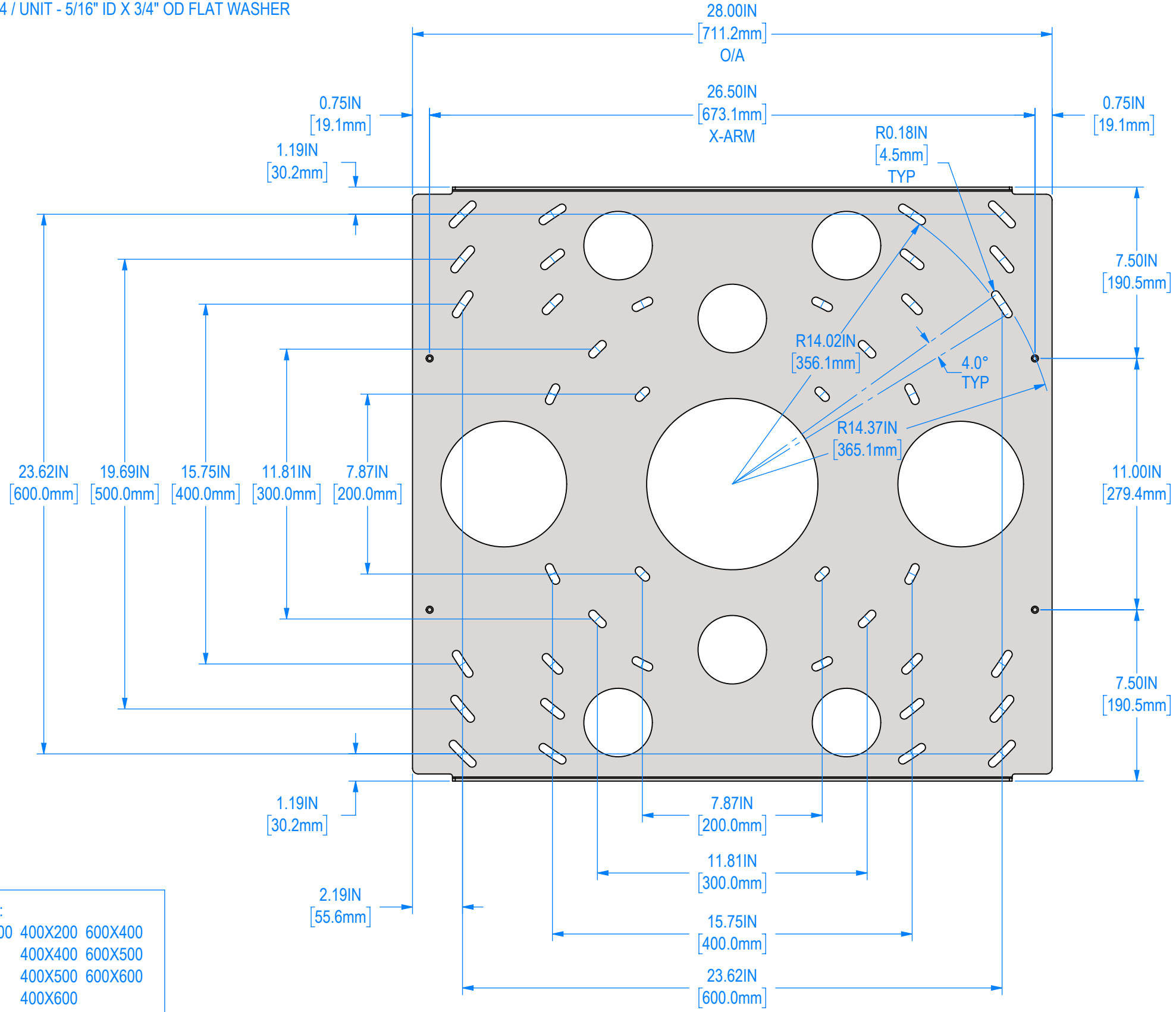
1. FINISH: SEMI-GLOSS BLACK POWDER COAT
2. APPROXIMATE WEIGHT: 20.26 LBS



SIDE VIEW

VESA PATTERN:

200X200	300X300	400X200	600X400
200X400		400X400	600X500
		400X500	600X600
		400X600	



REAR VIEW

G			
F			
E			
C			
B			
A			
REV:	DESCRIPTION:	BY:	DATE:

DEALER:

PROJECT:

SKU: RPWM-32MAXBF-XMS-ADA

PART NO: 0003-100-01

DESCRIPTION: THIN ADA PLATE FOR WALLMATE 32MAXBF SYSTEM

SIZE: B DATE: 9/18/2023 DRAWN: GS CHECKED: XXX

DWG. ID: RPWM-32MAXBF-XMS-ADA.4

JOB NO: SCALE: 1:5 SHEET: 4 OF 4 REVISION: