

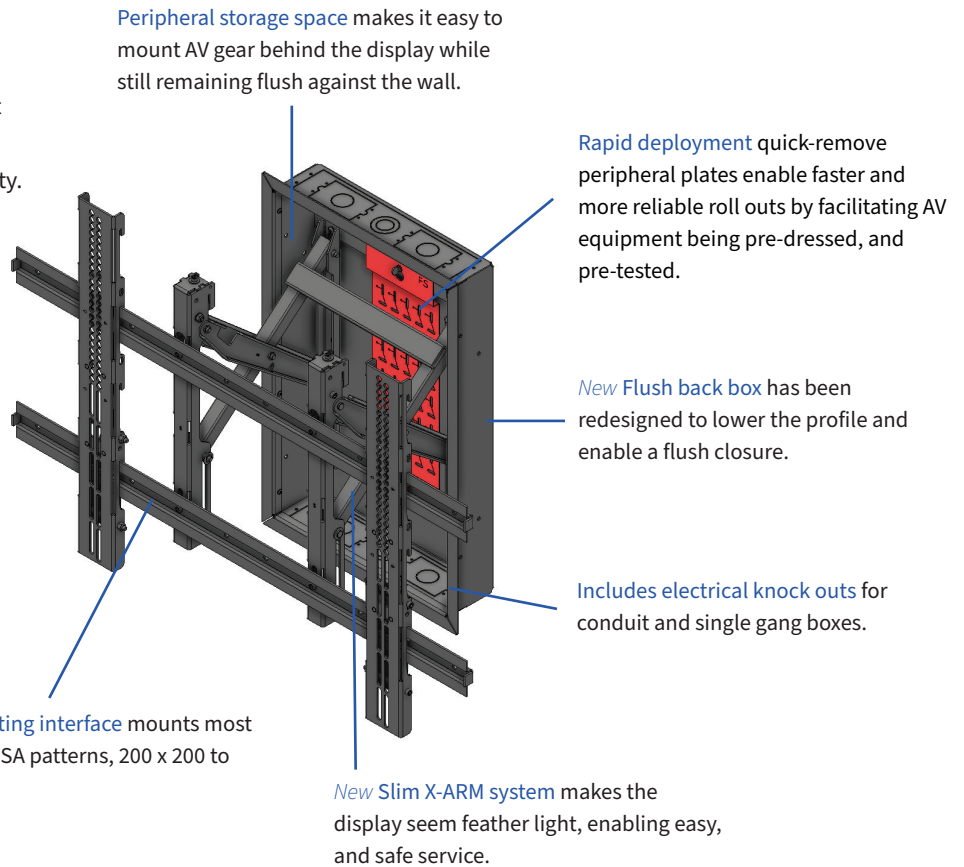
WALLMATE FLUSH

Flush In-Wall Flat Panel Mounting System

FOR DISPLAYS UP TO 125 LBS

The Wallmate 16BF with Universal mount is a single stud bay system designed to be the thinnest in-wall mount possible for ADA compliance, while maintaining the ultimate in display mount flexibility.

- Manufactured with 11 to 14-gauge steel to create a rigid mount that will remain stable and level.
- Installation only requires simple tools such as a drill, screwdriver, and Allen key.
- Mounts directly to studs which eliminates the need for surface blocking. Contractors can install the back box during the construction phase.



Wallmate 16BF-XMS-UNV Product Specifications

Stud Depth In Wall	3.5" or greater
Min. Landscape and Portrait Panel Size	50" 32"
Max Recommended Display Size Dia. 16:9	65"
Max Display Thickness Hit ADA - Non Shift	2.99"
X-ARM Opening Distance (wall to back of display)	10.31"
X-ARM Closed Distance (wall to back of display)	1.01"
Horizontal Shift	+/-9.4" ⁶
Vertical Shift	+5.02"/-9.09" V ⁶
Rotation of Display	0-6.5mm height adjust per VESA location
X-ARM Plumb Alignment	-1.03° to 0°
Display Weight Capacity	125 lbs.
Internal Mount Space X-ARM (WxHxD)	8.6" x 10.5" x 3.75"
Peripheral Plate Dim (WxHxD inches)	5.5" x 17.4" x 0.5"

BOX External Dimensions – no trim (WxHxD)	14.40" x 23.34" x 3.81"
BOX & Trim External Dimensions (WxHxD)	16.1" x 25" x 3.88"
Plate Attach Pattern to X-ARM (WxH)	11" x 11"
Default VESA Pattern Width	400, 600
Default VESA Pattern Height	400
1-Gang Box Positions (top and bottom)	2 each
Conduit Knock Outs (top)	3 (qty. 1 x 1", qty. 1 x combo 0.75"/1.25")
Conduit Knock Outs (bottom)	3 (qty. 1 x 1", qty. 1 x combo 0.75"/1.25")
AUX Tray Position	1
1" Metal Multi-Piece Trim	Included with back box
System Weight	52.32 lbs.

Wallmate 16BF-XMS-UNV Model Numbers

Wallmate RPWM-16BF-XMS-UNV Kit with ADA Mounting Plate (as shown in images)

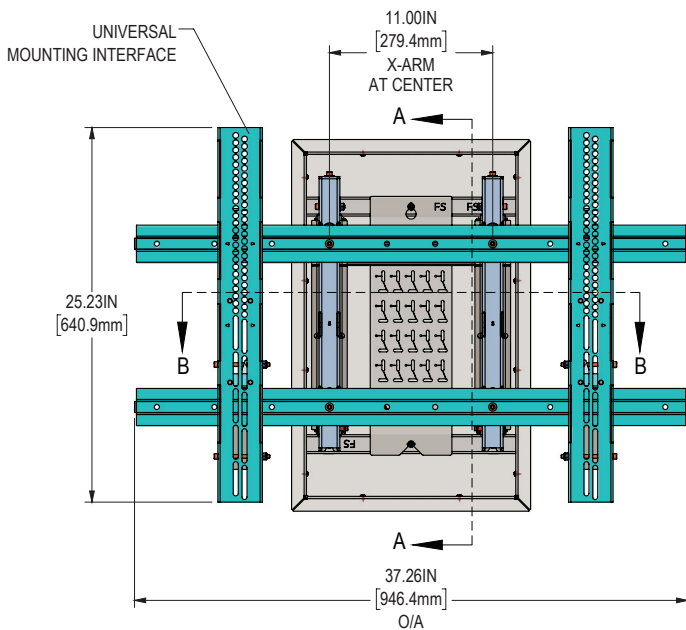
Part Number	Description	Typical Purchaser
RPWM-16BF-XMS-UNV	Wallmate 16BF system, includes Flush back box, peripheral mounting plate, box trim bezel, Slim X-ARM, and Universal Mounting System. Closes to 1.01" from wall. 125 lbs. capacity.	Integrator
RPWM-16BF-BOX-KIT	Metal back box for Wallmate 16BF systems. Mounts in standard 3.5" depth studs. Includes back box, peripheral mounting plate, and box trim bezel. Integrated mounting points, 4 single gang box knock outs, 2 multi size conduit knock outs, 4 1" conduit knock outs. Mounts direct to 14 gauge studs. 125 lbs. capacity.	General or electrical contractors (Split scope part 1 of 2)
RPWM-16BF-XMS-UNV-NB	Wallmate 16BF system, includes Slim X-ARM, and Universal Mounting System. Closes to 1.01" from wall. 125 lbs. capacity. Back box kit sold separately.	Integrator (Split scope part 2 of 2)

Additional Wallmate 16BF Accessories and Kits

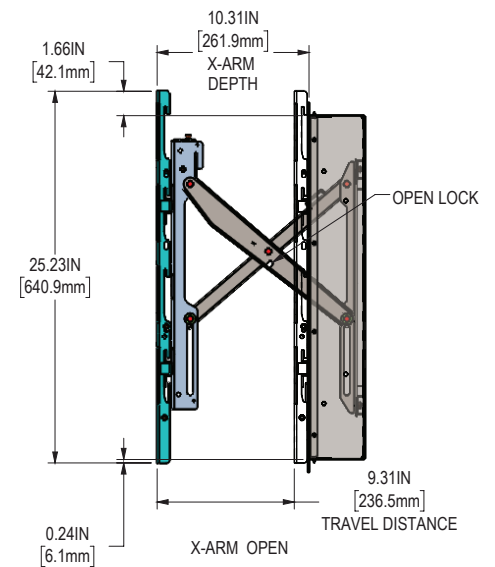
Part Number	Description
RPWM-UNV-33	Small Display Universal Mount
RPWM-UNV-64	Universal Mounting Plate
RPWM-UNV-44-P	Portrait orientation small display Universal Mount
RPWM-16B-BZL#	Wallmate 16B deep Trim
RPWM-16B-CVR	Blank back box cover plate for Wallmate 16B
RPWM-SPCR-200	2" spacer
RPWM-TOUCH-S	Wallmate B Slim Series Touch Kit
RPWM-AUXBOX	Auxiliary box
RPWM-UC-UNV	UC attach bracket for Universal Mount Assembly
RPWM-UC-UTC	Univerasal to Camera adapter
RPWM-TILT	Wallmate B tilt brackets
RPWM-LOCK-S	Wallmate 16/32/32MAX Standard B and SLIM X-ARM Lock Kit
RPWM-EUPWR	European Power Adapter plate
RPWM-UNV64-C#	VESA Converter

RPWM-UC-BRKT	UC Bracket
RPWM-UC-UNV-KCAM	Universal mount Camera kit. Call for matching number.
RPWM-UC-SPK-LR	Wallmate Left/Right loudspeaker mount kit for Universal mount
RPWM-UC-SPK-B	Wallmate Below display loudspeaker mount kit for Universal mount
Kits	Description
RPWM-16BF-XMS-ADA	Flush close, thin offset plate - Pull out Wallmate 16BF kit
RPWM-16BF-XMS-OFFSET	Thin offset plate - Pull out Wallmate 16BF kit

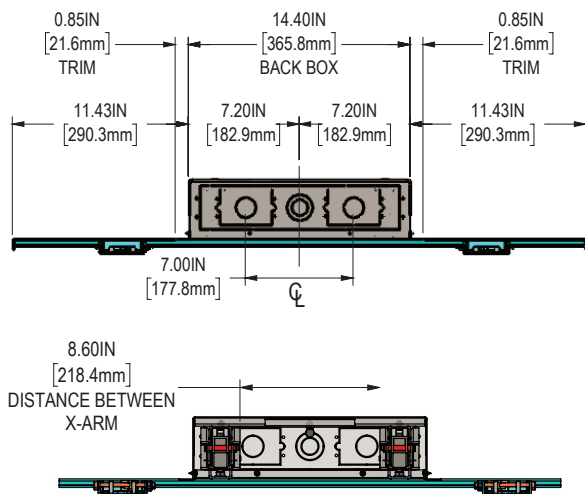
FRONT VIEW



SIDE VIEW (X-ARMS OPEN)

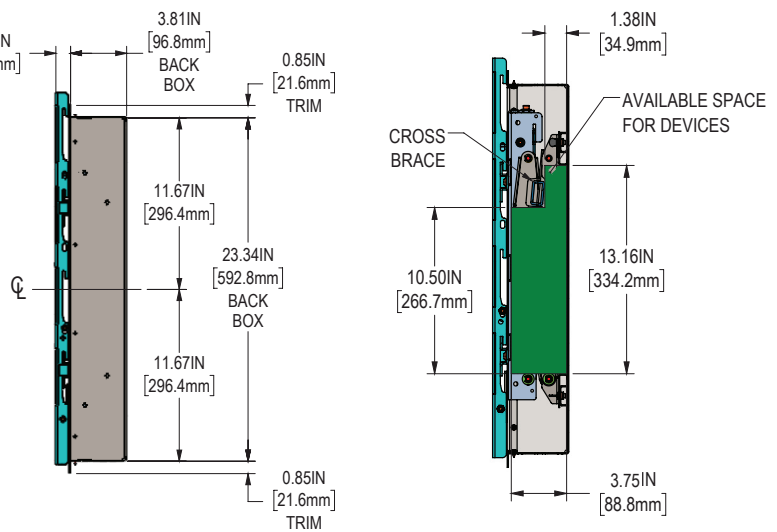


BOTTOM VIEW



SECTION B-B

SIDE VIEW (X-ARMS CLOSED)



CONTACT US

rpvisuals.com/wallmate
 info@rpvisuals.com
 (714) 991-6400

- *1: Mounting is possible. Call 714-991-6400 for details.
- *2: Call for design assistance.
- *3: Larger display sizes are possible but may impede access to the peripheral mounting plate.
- *4: Changing from flat panels to LED systems requires a different mount interface. Call for design assistance.
- *5: LED system vary greatly for mounting requirements. Exact LED weight TBD based on mount interface requirements.
- *6: Shift range based on 600mmW x 400mmH hole pattern.
- *7: Shift based on optional ADA-HVSB mounting plate.

