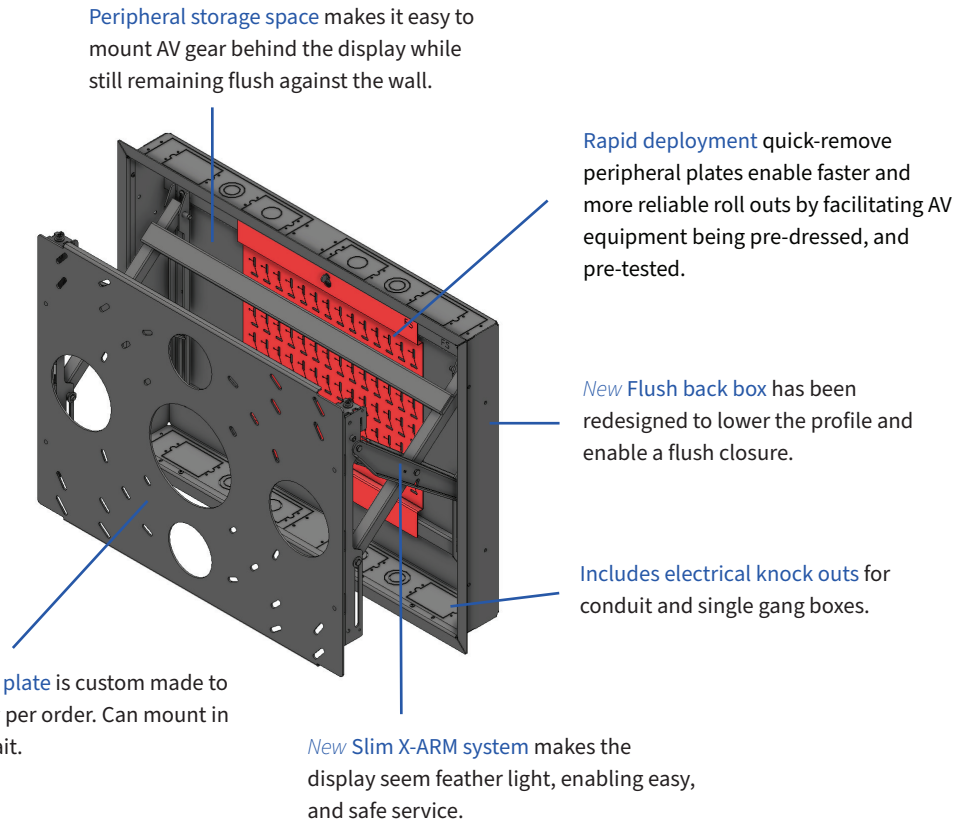


WALLMATE FLUSH

Flush In-Wall Flat Panel Mounting System for ADA Compliance FOR DISPLAYS UP TO 250 LBS

The Wallmate 32BF with ADA mount is a double stud bay system designed to be the thinnest in-wall mount possible, allowing the largest selection of displays to be ADA compliant.

- X-arm has been redesigned to enable close as low as 0.0" to 0.12".
- Manufactured with 11 to 14-gauge steel to create a rigid mount that will remain stable and level.
- Installation only requires simple tools such as a drill, screwdriver, and Allen key.



Wallmate 32BF-XMS-ADA Product Specifications

| | |
|---|-----------------------|
| Stud Depth In Wall | 3.5" or greater |
| Min. Landscape and Portrait Panel Size | 50" 65" |
| Max Recommended Display Size Dia. 16:9 | 75" ³ |
| Max Display Thickness to Hit ADA - Non Shift | 3.88" |
| XARM Opening Distance (wall to back of display) | 9.43" |
| XARM Closed Distance (wall to back of display) | 0" - 0.12" |
| Horizontal Shift | 0" |
| Vertical Shift | 0" |
| Rotation of Display | 0 |
| X-ARM Plumb Alignment | -1.03° to 0° |
| Display Weight Capacity | 250 lbs. |
| Internal Mount Space X-ARM (WxHxD) | 24.1" x 10.5" x 3.56" |
| Peripheral Plate Dim (WxHxD inches) | 16.5" x 17.4" x 0.5" |

| | |
|---|---|
| BOX External Dimensions – no trim (WxHxD) | 30.38" x 23.34" x 3.81" |
| BOX & Trim External Dimensions (WxHxD) | 32.1" x 25" x 3.88" |
| Plate Attach Pattern to X-ARM (WxH) | 26.5" x 11" |
| 1-Gang Box Positions (top and bottom) | 4 each |
| Conduit Knock Outs (top) | 4 (qty. 2 x 1", qty. 2 x combo 0.75"/1.25") |
| Conduit Knock Outs (bottom) | 4 (qty. 2 x 1", qty. 2 x combo 0.75"/1.25") |
| AUX Tray Position | 2 |
| 1" Metal Multi-Piece Trim | Included with back box |
| System Weight | 71 lbs. |

Wallmate 32BF-XMS-ADA Model Numbers

Wallmate RPWM-32BF-XMS-ADA Kit with ADA Mounting Plate (as shown in images)

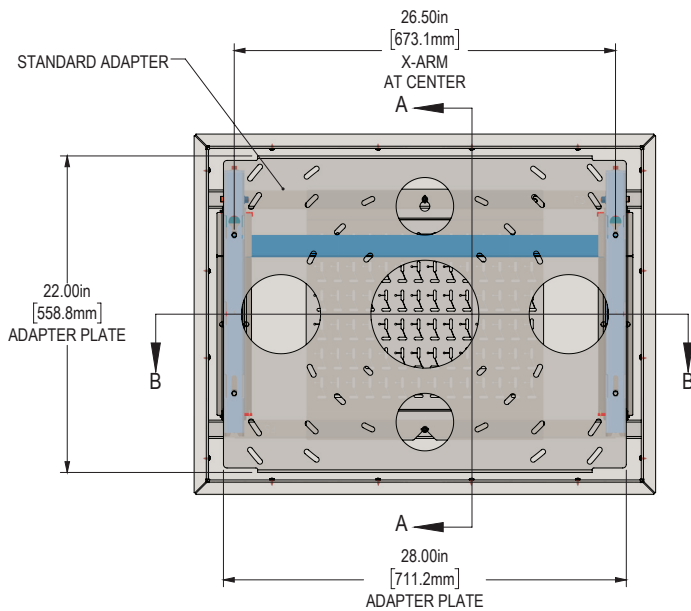
| Part Number | Description | Typical Purchaser |
|----------------------|---|--|
| RPWM-32BF-XMS-ADA | Wallmate 32BF system, includes Flush back box, peripheral mounting plate, box trim bezel, Slim X-ARM, and ADA mounting plate. Closes up to 0.12" from wall. 250 lbs. capacity. | Integrator |
| RPWM-32BF-BOX-KIT | Metal back box for Wallmate 32BF systems. Mounts in standard 3.5" depth studs, includes peripheral mounting plate and trim bezel. Integrated mounting points, 8 single gang box knock outs, 4 multi size conduit knock outs, 4 1" conduit knock outs, 2 knock outs for bottom auxiliary tray. Mounts direct to 14 studs. 300 lbs. capacity. | General or electrical contractors (Split scope part 1 of 2) |
| RPWM-32BF-XMS-ADA-NB | Wallmate 32BF system, includes Slim X-ARM, ADA mounting plate, and Slim X-ARM system. Closes up to 0.12" from wall. 250 lbs. capacity. Back box kit sold separately. | Integrator (Split scope part 2 of 2) |

Additional Wallmate 32BF Accessories and Kits

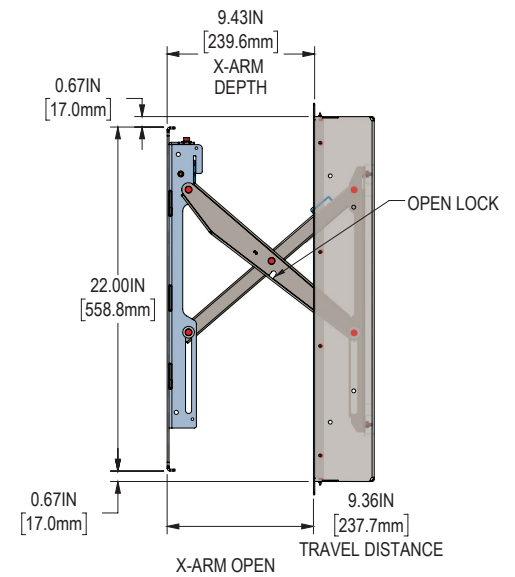
| Part Number | Description |
|--------------------|---|
| RPWM-UNV-33 | Small Display Universal Mount |
| RPWM-UNV-64 | Universal Mounting Plate |
| RPWM-32BF-PMFLXS-1 | Dual Layer Wallmate 32BF Peripheral Plate for Crestron Flex Systems |
| RPWM-32BF-PMFLX-1 | Wallmate 32BF Peripheral Plate for Crestron Flex Systems |
| RPWM-32BF-PM2 | Dual layer Peripheral Plate for Wallmate 32BF |
| RPWM-32B-BZL# | Wallmate 32B deep Trim |
| RPWM-32B-CVR | Blank back box cover plate for Wallmate 32B |
| RPWM-TOUCH-S | Wallmate B Slim Series Touch Kit |
| RPWM-UC-UNV | UC attach bracket for Universal Mount Assembly |
| RPWM-UC-UNV-KCAM | Universal mount Camera kit. Call for matching number. |
| RPWM-UC-TNV-KCAM | TNV plate mounting kit for Wallmate 32/32MAX systems |
| RPWM-AUXBOX | Auxiliary box |
| RPWM-AUXBOX-F | Fiber access AUXBOX |

| | |
|------------------------|---|
| RPWM-TILT | Wallmate B tilt brackets |
| RPWM-LOCK-S | Wallmate 16/32/32MAX Standard B and SLIM X-ARM Lock Kit |
| RPWM-EUPWR | European Power Adapter plate |
| RPWM-UNV64-C# | VESA Converter |
| RPWM-UC-SPK-LR | Wallmate Left/Right loudspeaker mount kit for Universal mount |
| RPWM-UC-SPK-B | Wallmate Below display loudspeaker mount kit for Universal mount |
| Kits | Description |
| RPWM-32BF-XMS-UNV | Universal Mount - Pull out Wallmate 32BF kit |
| RPWM-32BF-XMS-ADA-HVSB | Flush close, thin ADA shift mounting plate - Pull out Wallmate 32BF kit |

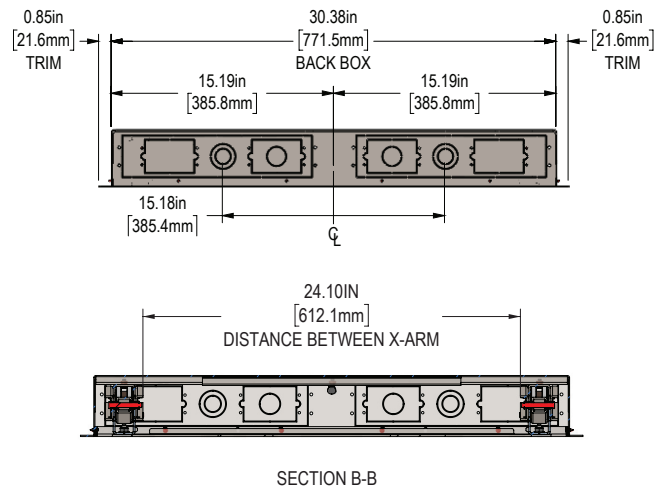
FRONT VIEW



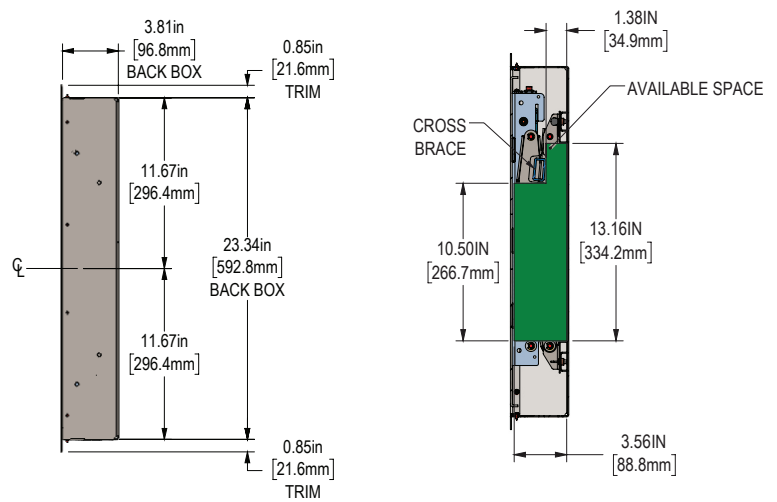
SIDE VIEW (X-ARMS OPEN)



BOTTOM VIEW



SIDE VIEW (X-ARMS CLOSED)



CONTACT US

rpvisuals.com/wallmate
 info@rpvisuals.com
 (714) 991-6400

- *1: Mounting is possible. Call 714-991-6400 for details.
- *2: Call for design assistance.
- *3: Larger display sizes are possible but may impede access to the peripheral mounting plate.
- *4: Changing from flat panels to LED systems requires a different mount interface. Call for design assistance.
- *5: LED system vary greatly for mounting requirements. Exact LED weight TBD based on mount interface requirements.
- *6: Shift range based on 600mmW x 400mmH hole pattern.
- *7: Shift based on optional ADA-HVSB mounting plate.

