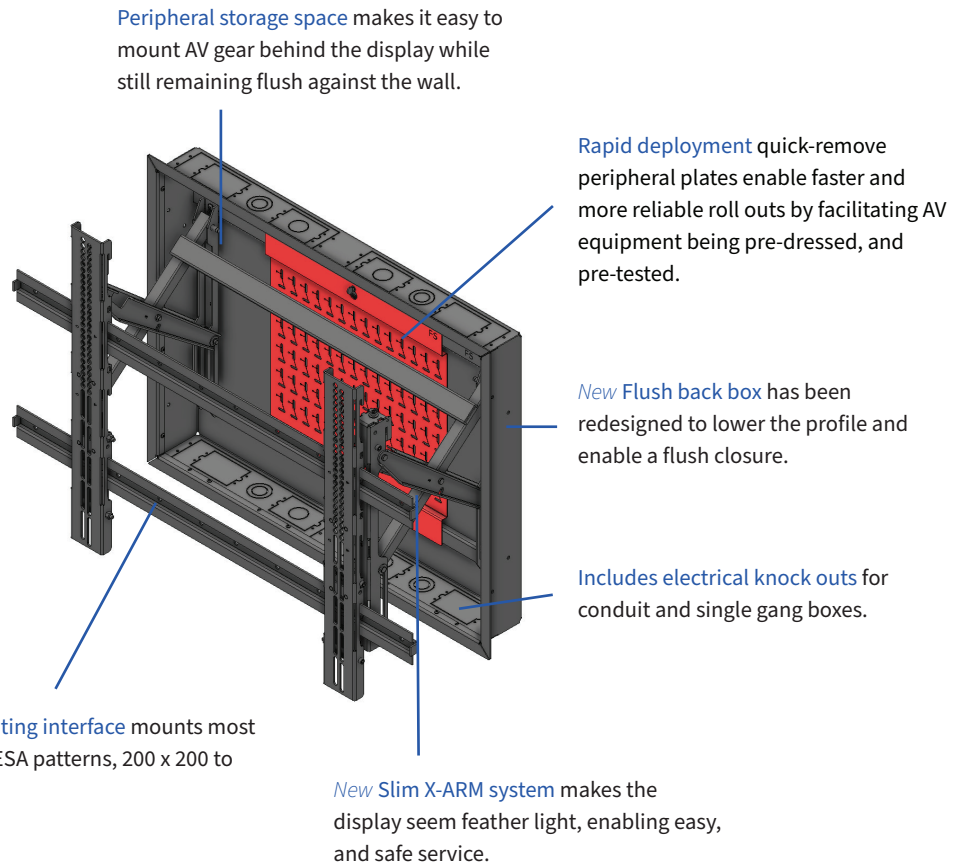


# WALLMATE FLUSH

## Flush In-Wall Flat Panel Mounting System FOR DISPLAYS UP TO 250 LBS

The Wallmate 32BF with Universal mount is a double stud bay system designed to be the thinnest in-wall mount possible for ADA compliance, while maintaining the ultimate in display mount flexibility.

- Manufactured with 11 to 14-gauge steel to create a rigid mount that will remain stable and level.
- Installation only requires simple tools such as a drill, screwdriver, and Allen key.
- Mounts directly to studs which eliminates the need for surface blocking. Contractors can install the back box during the construction phase.



### Wallmate 32BF-XMS-UNV Product Specification

Stud Depth In Wall	3.5" or greater
Min. Landscape and Portrait Panel Size	50" 65"
Max Recommended Display Size Dia. 16:9	75" <sup>3</sup>
Max Display Thickness Hit ADA - Non Shift	2.99"
X-ARM Opening Distance (wall to back of display)	10.31"
X-ARM Closed Distance (wall to back of display)	1.01"
Horizontal Shift	+/-9.4" <sup>6</sup>
Vertical Shift	+5.02"/-9.09" V <sup>6</sup>
Rotation of Display	0-6.5mm height adjust per VESA location
X-ARM Plumb Alignment	-1.03° to 0°
Display Weight Capacity	250 lbs.
Internal Mount Space X-ARM (WxHxD)	24.1" x 10.5" x 3.75"
Peripheral Plate Dim (WxHxD inches)	16.5" x 17.4" x 0.5"
BOX External Dimensions - no trim (WxHxD)	30.38" x 23.34" x 3.81"

<b>BOX &amp; Trim External Dimensions (WxHxD)</b>	32.1" x 25" x 3.88"
<b>Plate Attach Pattern to X-ARM (WxH)</b>	26.5" x 11"
<b>Default VESA Pattern Width</b>	200-800
<b>Default VESA Pattern Height</b>	200-600
<b>1-Gang Box Positions (top and bottom)</b>	4 each
<b>Conduit Knock Outs (top)</b>	4 (qty. 2 x 1", qty. 2 x combo 0.75"/1.25")
<b>Conduit Knock Outs (bottom)</b>	4 (qty. 2 x 1", qty. 2 x combo 0.75"/1.25")
<b>AUX Tray Position</b>	2
<b>1" Metal Multi-Piece Trim</b>	Included with back box
<b>System Weight</b>	70 lbs.

## Wallmate 32BF-XMS-UNV Model Numbers

Wallmate RPWM-32BF-XMS-UNV Kit with Universal Mounting Plate (as shown in images)

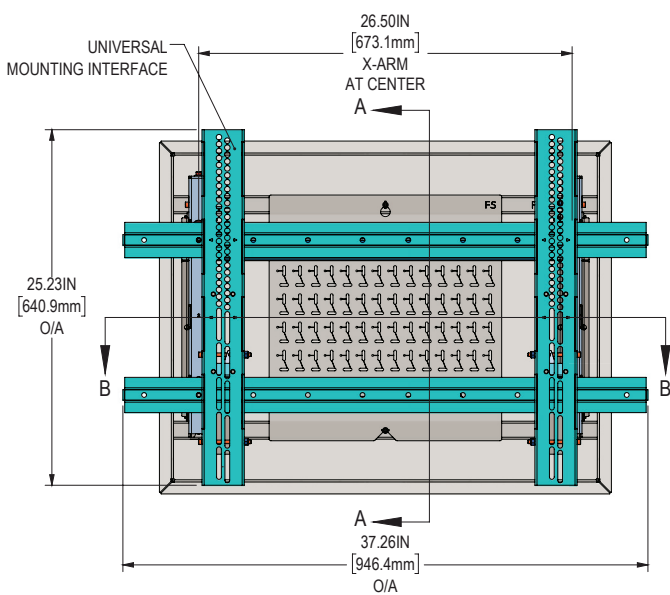
Part Number	Description	Typical Purchaser
RPWM-32BF-XMS-UNV	Wallmate 32BF System, includes back box, peripheral mounting plate, box trim bezel, Slim X-ARM, and Universal Mounting System. Closes 1.01" from wall. 250 lbs. capacity.	Integrator
RPWM-32BF-BOX-KIT	Metal back box for Wallmate 32BF systems. Mounts in standard 3.5" depth studs, includes peripheral mounting plate and trim bezel. Integrated mounting points, 8 single gang box knock outs, 4 multi size conduit knock outs, 4 1" conduit knock outs, 2 knock outs for bottom auxiliary tray. Mounts direct to 14 studs. 300 lbs. capacity.	General or electrical contractors (Split scope part 1 of 2)
RPWM-32BF-XMS-UNV-NB	Wallmate 32BF System, includes Slim X-ARM, and Universal Mounting System. Closes 1.01" from wall. 250 lbs. capacity. Back box kit sold separately.	Integrator (Split scope part 2 of 2)

Additional Wallmate 32BF Accessories and Kits

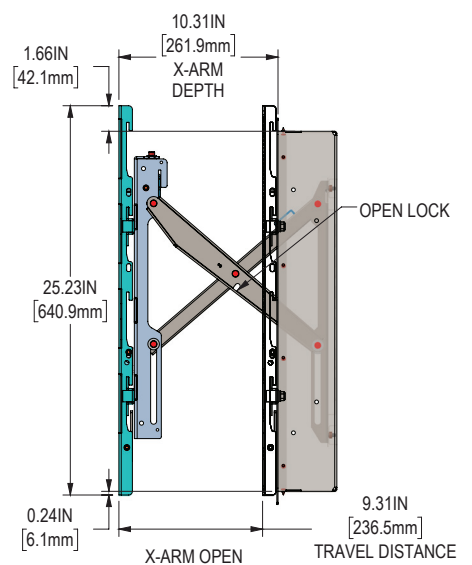
Part Number	Description
RPWM-UNV-33	Small Display Universal Mount
RPWM-UNV-64	Universal Mounting Plate
RPWM-UNV-44-P	Portrait orientation small display Universal Mount
RPWM-32BF-PMFLXS-1	Dual Layer Wallmate 32BF Peripheral Plate for Crestron Flex Systems
RPWM-32BF-PMFLX-1	Wallmate 32BF Peripheral Plate for Crestron Flex Systems
RPWM-32BF-PM2	Dual layer Peripheral Plate for Wallmate 32BF
RPWM-32B-BZL#	Wallmate 32B deep Trim
RPWM-32B-CVR	Blank back box cover plate for Wallmate 32B
RPWM-TOUCH-S	Wallmate B Slim Series Touch Kit
RPWM-SPCR-200	2" spacer
RPWM-UC-UNV	UC attach bracket for Universal Mount Assembly
RPWM-UC-UNV-KCAM	Universal mount Camera kit. Call for matching number.
RPWM-UC-TNV-KCAM	TNV plate mounting kit for Wallmate 32/32MAX systems
RPWM-AUXBOX	Auxiliary box

RPWM-AUXBOX-F	Fiber access AUXBOX
RPWM-TILT	Wallmate B tilt brackets
RPWM-LOCK-S	Wallmate 16/32/32MAX Standard B and SLIM X-ARM Lock Kit
RPWM-EUPWR	European Power Adapter plate
RPWM-UNV64-C#	VESA Converter
RPWM-UC-SPK-LR	Wallmate Left/Right loudspeaker mount kit for Universal mount
RPWM-UC-SPK-B	Wallmate Below display loudspeaker mount kit for Universal mount
<b>Part Number</b>	<b>Description</b>
RPWM-32BF-XMS-ADA	Flush close, thin offset plate - Pull out Wallmate 32BF kit
RPWM-32BF-XMS-ADA-HVSB	Flush close, thin ADA shift mounting plate - Pull out Wallmate 32BF kit

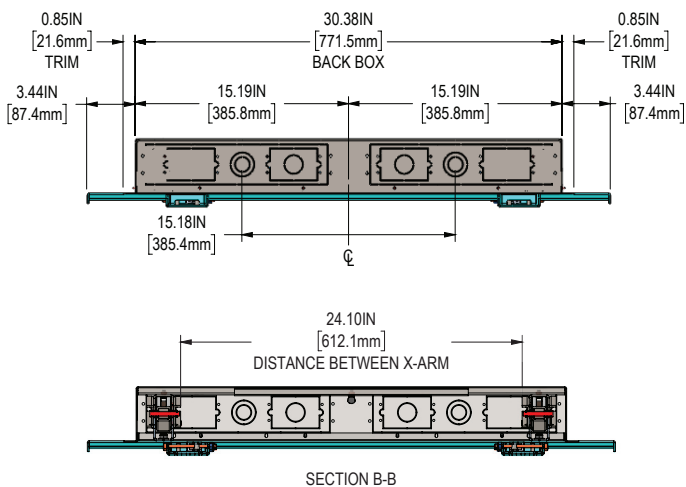
**FRONT VIEW**



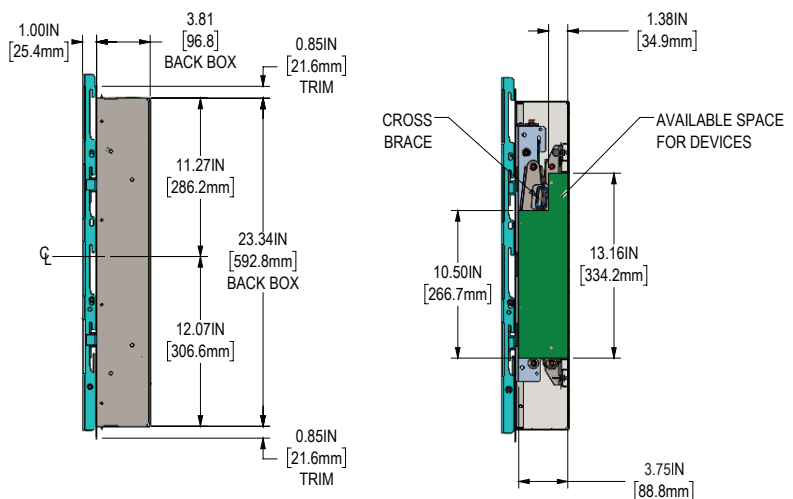
**SIDE VIEW (X-ARMS OPEN)**



**BOTTOM VIEW**



**SIDE VIEW (X-ARMS CLOSED)**



## CONTACT US

rpvisuals.com/wallmate  
 info@rpvisuals.com  
 (714) 991-6400

- \*1: Mounting is possible. Call 714-991-6400 for details.
- \*2: Call for design assistance.
- \*3: Larger display sizes are possible but may impede access to the peripheral mounting plate.
- \*4: Changing from flat panels to LED systems requires a different mount interface. Call for design assistance.
- \*5: LED system vary greatly for mounting requirements. Exact LED weight TBD based on mount interface requirements.
- \*6: Shift range based on 600mmW x 400mmH hole pattern.
- \*7: Shift based on optional ADA-HVSB mounting plate.

