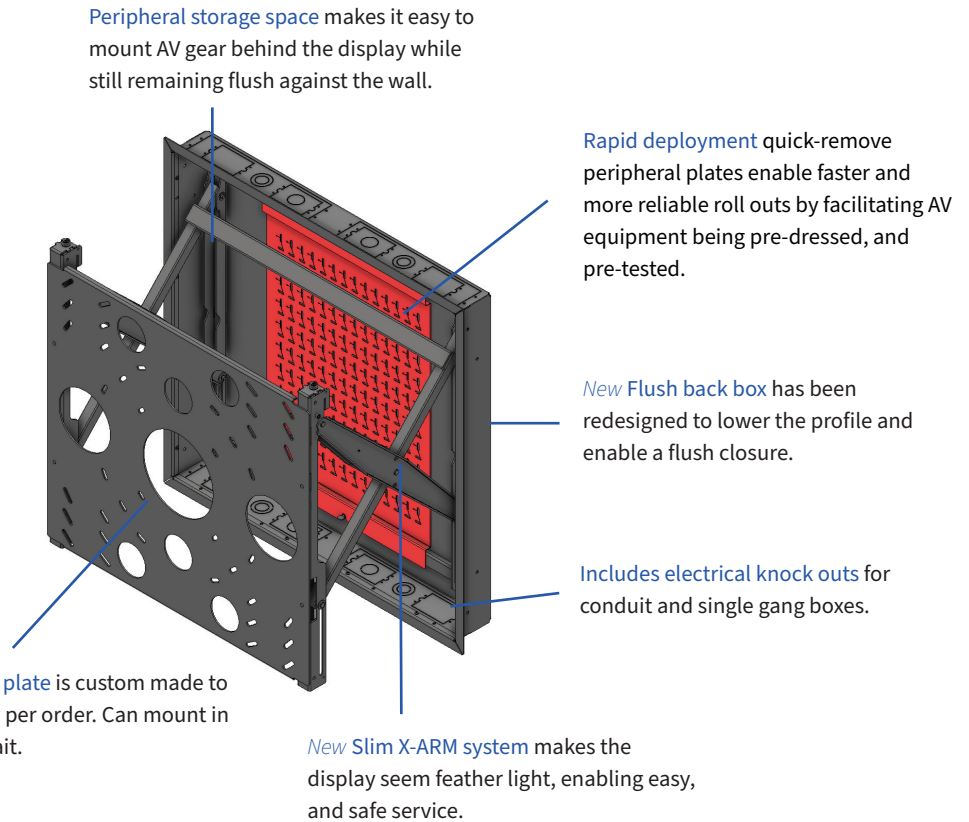


# WALLMATE FLUSH

## Flush In-Wall Flat Panel Mounting System for ADA Compliance FOR DISPLAYS UP TO 325 LB

The Wallmate 32MAXBF with ADA mount is a double stud bay system for large flat panel displays, designed to be the thinnest in-wall mount possible, allowing the largest selection of displays to be ADA compliant.

- X-arm has been redesigned to enable close as low as 0.0" to 0.12".
- Manufactured with 11 to 14-gauge steel to create a rigid mount that will remain stable and level.
- Installation only requires simple tools such as a drill, screwdriver, and Allen key.



### Wallmate 32MAXBF-XMS-ADA Product Specifications

Stud Depth In Wall	3.5" or greater
Min. Landscape and Portrait Panel Size	65"
Max Recommended Display Size Dia. 16:9	110"
Max Display Size Dia. 21:9	90"
Max Display Thickness to Hit ADA - Non Shift	3.88"
XARM Opening Distance (wall to back of display)	14.56"
XARM Closed Distance (wall to back of display)	0" - 0.12"
Horizontal Shift	0"
Vertical Shift	0"
Rotation of Display	0
X-ARM Plumb Alignment	-0.62° to 0°
Display Weight Capacity	325 lbs.
Internal Mount Space X-ARM (WxHxD)	24.1" x 19.34" x 3.56"

Peripheral Plate Dim (WxHxD inches)	17.5" x 26.75" x 0.5"
BOX External Dimensions – no trim (WxHxD)	30.38" x 30.38" x 3.81"
BOX & Trim External Dimensions (WxHxD)	32.1" x 32.1" x 3.88"
Plate Attach Pattern to X-ARM (WxH)	26.5" x 11"
1-Gang Box Positions (top and bottom)	4 each
Conduit Knock Outs (top)	4 (qty. 2 x 1", qty. 2 x combo 0.75"/1.25")
Conduit Knock Outs (bottom)	4 (qty. 2 x 1", qty. 2 x combo 0.75"/1.25")
AUX Tray Position	2
1" Metal Multi-Piece Trim	Included with back box
System Weight	94.24 lbs.

## Wallmate 32MAXBF-XMS-ADA Model Numbers

Wallmate RPWM-32BF-XMS-ADA Kit with ADA Mounting Plate (as shown in images)

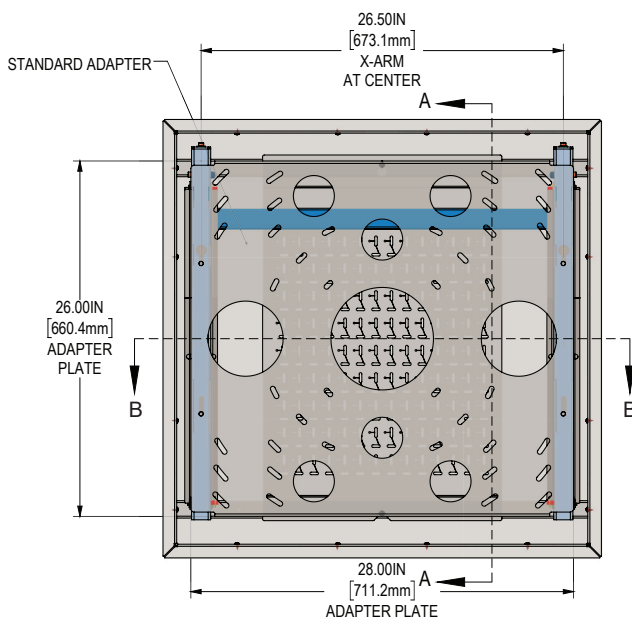
Part Number	Description	Typical Purchaser
RPWM-32MAXBF-XMS-ADA	Wallmate 32MAXBF system, includes Flush back box, peripheral mounting plate, box trim bezel, Slim X-ARM system and ADA mounting plate. Close up to 0.12" from wall. 325 lbs. capacity.	Integrator
RPWM-32MAXBF-BOX-KIT	Metal back box for Wallmate 32MAXBF systems. Mounts in standard 3.5" depth studs, includes peripheral mounting plate and trim bezel. Integrated mounting points, 8 single gang box knock outs, 4 multi size conduit knock outs, 4 1" conduit knock outs, 2 knock outs for bottom auxiliary tray. Mounts direct to 14 gauge studs. 325 lbs. capacity.	General or electrical contractors (Split scope part 1 of 2)
RPWM-32MAXBF-XMS-ADA-NB	Wallmate 32MAXBF system, includes Slim X-ARM system and ADA mounting plate. Closes up to 0.12" from wall. 325 lbs. capacity Back box kit sold separately.	Integrator (Split scope part 2 of 2)

Additional Wallmate 32MAXBF Accessories and Kits

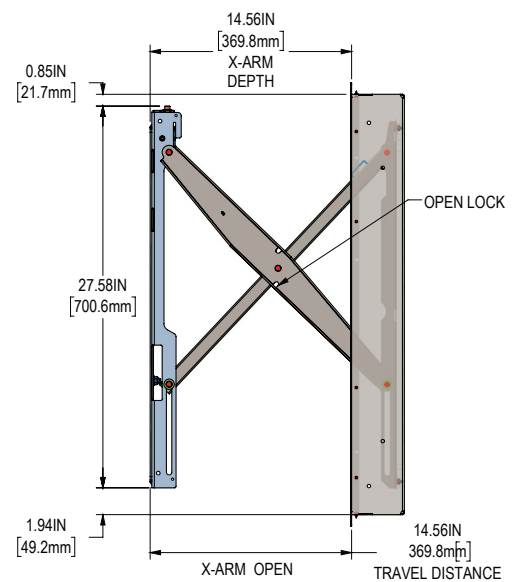
Part Number	Description
RPWM-UNV-33	Small Display Universal Mount
RPWM-UNV-64	Universal Mounting Plate
RPWM-32MAXBF-PMFLXS-1	Peripheral Plate, Wallmate 32MAXB for Crestron Flex Systems
RPWM-32MAXBF-PMFLX-1	Peripheral Plate, Wallmate 32MAXB for Crestron Flex Systems
RPWM-32MAXBF-PM	Peripheral Plate for Wallmate 32MAXBF
RPWM-32MAXB-BZL#	Wallmate 32MAXB Deep Trim
RPWM-32MAXB-CVR	Blank back box cover plate for Wallmate 32MAXB Series
RPWM-TOUCH-S	Wallmate B Slim Series Touch Kit
RPWM-UC-UNV-KCAM	Universal mount Camera kit. Call for matching number.
RPWM-UC-TNV-KCAM	TNV plate mounting kit for Wallmate 32/32MAX systems
RPWM-AUXBOX	Auxiliary box
RPWM-AUXBOX-F	Fiber access AUXBOX
RPWM-TILT	Wallmate B tilt brackets

RPWM-LOCK-S	Wallmate 16/32/32MAX Standard B and SLIM X-ARM Lock Kit
RPWM-EUPWR	European Power Adapter plate
RPWM-UNV64-C#	VESA Converter
RPWM-UC-SPK-LR	Wallmate Left/Right loudspeaker mount kit for Universal mount
RPWM-UC-SPK-B	Wallmate Below display loudspeaker mount kit for Universal mount
Kits	Description
RPWM-32MAXBF-XMS-UNV	Universal Mount - Pull out Wallmate 32MAXBF kit
RPWM-32MAXBF-XMS-ADA-HVSB	Flush close, thin ADA shift mounting plate - Pull out Wallmate 32MAXBF kit
RPWM-32MAXBF-XMS-OFFSET	Thin offset plate - Pull out Wallmate 32MAXBF kit
RPWM-32MAXBF-XMS-ADA-LG110	Flush close kit for LG 110UM5J-B - Pull out Wallmate 32MAXBF

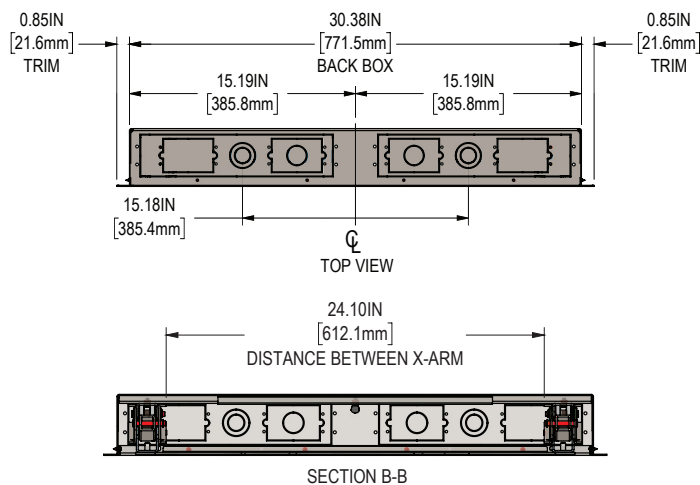
### FRONT VIEW



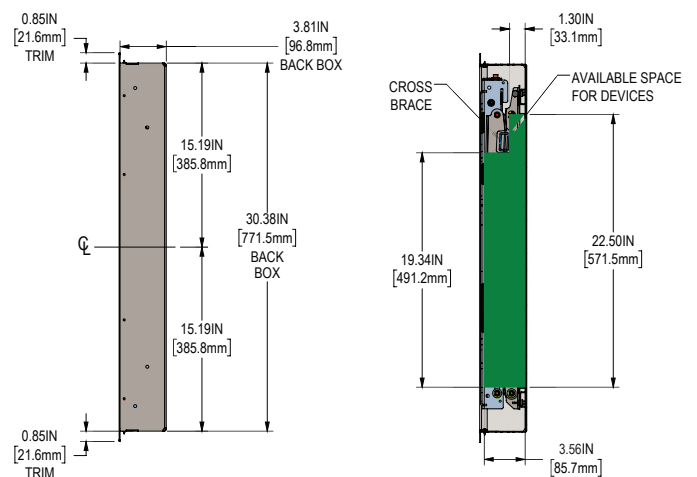
### SIDE VIEW (X-ARMS OPEN)



### BOTTOM VIEW



### SIDE VIEW (X-ARMS CLOSED)



## CONTACT US

rpvisuals.com/wallmate  
 info@rpvisuals.com  
 (714) 991-6400

- \*1: Mounting is possible. Call 714-991-6400 for details.
- \*2: Call for design assistance.
- \*3: Larger display sizes are possible but may impede access to the peripheral mounting plate.
- \*4: Changing from flat panels to LED systems requires a different mount interface. Call for design assistance.
- \*5: LED system vary greatly for mounting requirements. Exact LED weight TBD based on mount interface requirements.
- \*6: Shift range based on 600mmW x 400mmH hole pattern.
- \*7: Shift based on optional ADA-HVSB mounting plate.

