

WALLMATE B6

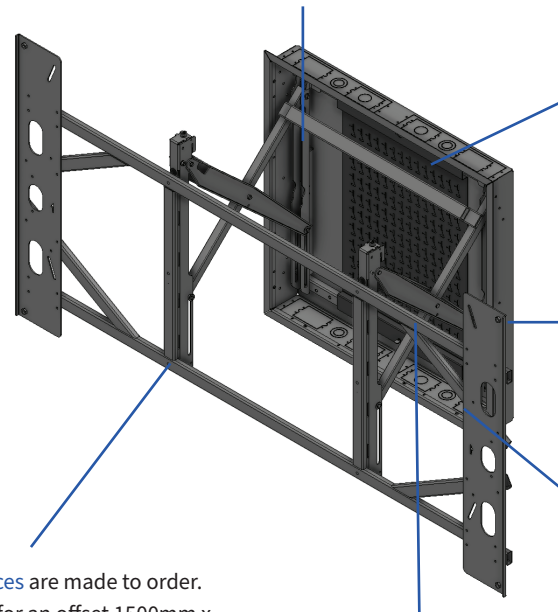
In-Wall Flat Panel Mounting System

FOR DISPLAYS UP TO 425 LBS*¹⁰

The Wallmate B6 series is made to hold the largest flat panel displays on the market with very easy and stable service access.

- X-arm has been redesigned to enable close as low as 0.6".
- Manufactured with 11 to 14-gauge steel to create a rigid mount that will remain stable and level.
- Installation only requires simple tools such as a drill, screwdriver, and Allen key.

Peripheral storage space makes it easy to mount AV gear behind the display while still remaining flush against the wall.



Rapid deployment quick-remove peripheral plates enable faster and more reliable roll outs by facilitating AV equipment being pre-dressed, and pre-tested.

New Flush back box has been designed from the ground up to support heavy weight loads.

Includes electrical knock outs for conduit and single gang boxes.

Mounting interfaces are made to order. Example show is for an offset 1500mm x 800mm mount patterns.

New Unique proprietary roller X-ARM allows exceptionally smooth and easy operation under high weight loads.

Wallmate 32MAXB6-XMR-OFFSET Product Specifications

Structure In Wall	Can't be stud mounted. Requires in-wall structure by rpv or structural team.
Min. Landscape and Portrait Panel Size	65"
Max Recommended Display Size Dia. 16:9	120"
Max Display Size Dia. 21:9	110"
Max Display Thickness to Hit ADA - Non Shift	3.4" including interface ²
XARM Opening Distance (wall to back of display)	15.44" ⁹
XARM Closed Distance (wall to back of display)	As low as 0.6"
Horizontal Shift	0"
Vertical Shift	0"
Rotation of Display	±2°
X-ARM Plumb Alignment	-0.62° to 0°
Display Weight Capacity	425 lbs.

Internal Mount Space X-ARM (WxHxD)	24.1" x 19.34" x 4.16"
Peripheral Plate Dim (WxHxD inches)	17.5" x 26.75" x 0.5"
BOX External Dimensions - no trim (WxHxD)	30.38" x 30.38" x 3.81"
BOX & Trim External Dimensions (WxHxD)	32.1" x 32.1" x 3.81"
Plate Attach Pattern to X-ARM (WxH)	26.5" x 11" x 11"
1-Gang Box Positions (top and bottom)	4 each
Conduit Knock Outs (top)	4 (qty. 2 x 1", qty. 2 x combo 0.75"/1.25")
Conduit Knock Outs (bottom)	4 (qty. 2 x 1", qty. 2 x combo 0.75"/1.25")
AUX Tray Position	2
1" Metal Multi-Piece Trim	Included with back box
System Weight	121.45 lbs.

Wallmate 32MAXB6-XMR-OFFSET Model Numbers

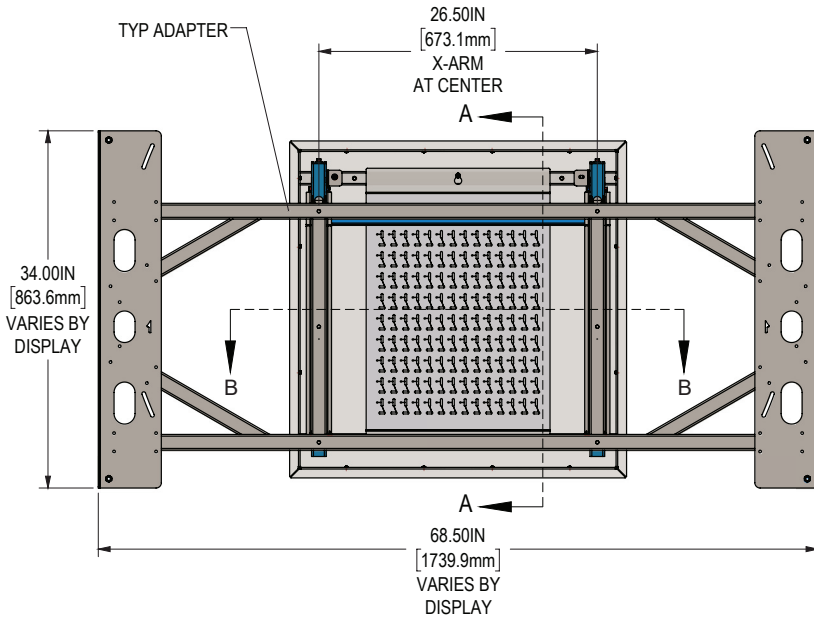
Wallmate RPWM-32MAXB6-XMR-OFFSET Kit with OFFSET Mounting Plate (as shown in images)

Part Number	Description	Typical Purchaser
RPWM-32MAXB6-XMR-OFFSET	Wallmate 32MAXB6 system, includes back box Heavy duty roller X-ARM system, and made to order landscape mounting plate for up to 425 lbs display, 1500mm wide VESA patterns.	Integrator
RPWM-32MAXB6-BOX-KIT	Metal back box for Wallmate 32MAXB6 systems. Mounts in 3.5" depth. Includes black peripheral mounting plate and black trim bezel. Integrated XMR heavy duty x-arm mounting points, 8 single gang box knock outs, 4 multi size conduit knock outs, 4 1" conduit knock outs, 2 knock outs for bottom auxiliary tray. Refer to structural engineer for wall build out. Gray box color. Up to 820 lbs weight load limit on x-arm.	General or electrical contractors (Split scope part 1 of 2)
RPWM-32MAXB6-XMR-OFFSET-NB	Wallmate 32MAXB6 system, includes Back box kit Heavy duty roller X-ARM system, and made to order landscape mounting plate for up to 425 lbs display, 1500mm wide VESA patterns. Back box kit sold separately.	Integrator (Split scope part 2 of 2)

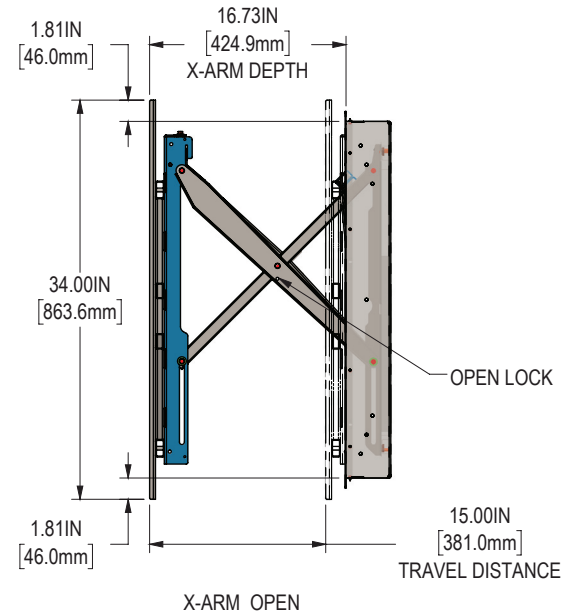
Additional Wallmate 32MAXB6 Accessories and Kits

Part Number	Description
RPWM-32MAXB-PM2	Dual layer Peripheral Plate for Wallmate 32MAXB
RPWM-32MAXB-BZL#	Wallmate 32MAXB deep Trim
RPWM-32MAXB-CVR	Blank back box cover plate for Wallmate 32MAXB
RPWM-TOUCH-S	Wallmate B Slim Series Touch Kit
RPWM-AUXBOX	Auxiliary box
RPWM-AUXBOX-F	Fiber access AUXBOX
RPWM-LOCK-S	Wallmate 16/32/32MAX Standard B and SLIM X-ARM Lock Kit
RPWM-EUPWR	European Power Adapter plate
Kits	Description
RPWM-32MAXB6-XMR-HSB-OFFSET	Horizontal Shift Offset Plate - Pull out Wallmate 32MAXB6 kit

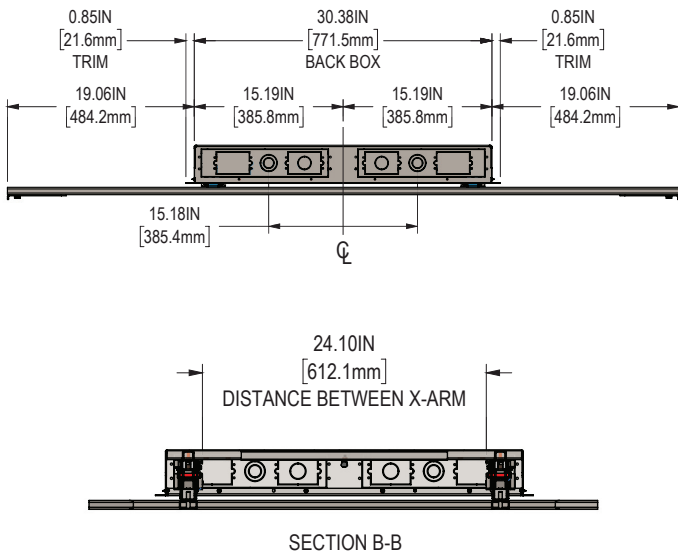
FRONT VIEW



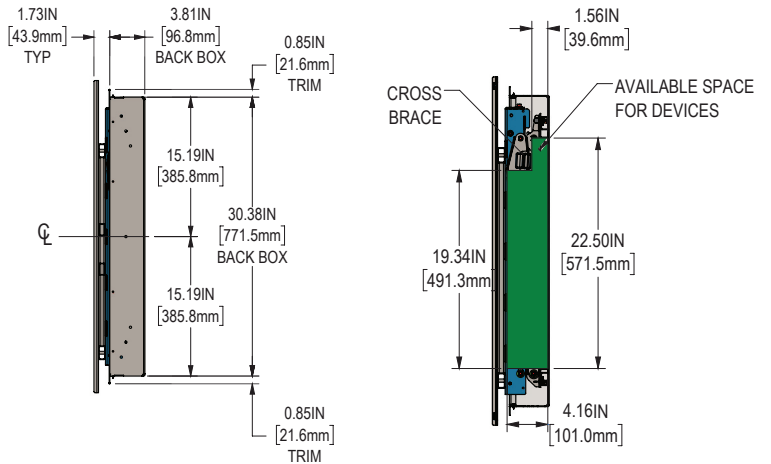
SIDE VIEW (X-ARMS OPEN)



BOTTOM VIEW



SIDE VIEW (X-ARMS CLOSED)



CONTACT US

rpvisuals.com/wallmate
 info@rpvisuals.com
 (714) 991-6400

- *1: Mounting is possible. Call 714-991-6400 for details.
- *2: Call for design assistance.
- *3: Larger display sizes are possible but may impede access to the peripheral mounting plate.
- *4: Changing from flat panels to LED systems requires a different mount interface. Call for design assistance.
- *5: LED system vary greatly for mounting requirements. Exact LED weight TBD based on mount interface requirements.
- *6: Shift range based on 600mmW x 400mmH hole pattern.
- *7: Shift based on optional ADA-HVSB mounting plate.
- *8: Estimated weight, weight varies by LED. Call for specific weights.
- *9: Depth may change by interface.
- *10: When 32MAX series back boxes are installed in 14-gauge studs, the weight limit is limited to 350 lbs.

