

WALLMATE All-in-One LED

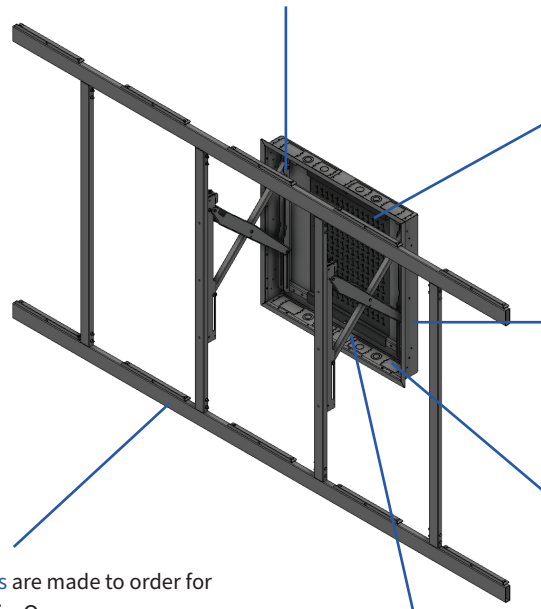
All-in-One LED Flat Panel Mounting System

FOR DISPLAYS UP TO 700 LBS*¹⁰

The Wallmate LED-A series is designed to hold all-in-one LED displays or flat panel displays from 65" up to 137", while enabling easy service access.⁴

- X-arm has been redesigned to enable close as low as 0.6".
- Manufactured with 11 to 14-gauge steel to create a rigid mount that will remain stable and level.
- Installation only requires simple tools such as a drill, screwdriver, and Allen key.

Peripheral storage space makes it easy to mount AV gear behind the display while still remaining flush against the wall.



Rapid deployment quick-remove peripheral plates enable faster and more reliable roll outs by facilitating AV equipment being pre-dressed, and pre-tested.

New Flush back box has been designed from the ground up to support heavy weight loads.

Includes electrical knock outs for conduit and single gang boxes.

Mounting interfaces are made to order for up to 137" dia. All-in-One.

New Unique proprietary roller X-ARM allows exceptionally smooth and easy operation under high weight loads.

Wallmate 32MAXB6-XMR-LED-A Product Specifications

Structure in Wall	Cannot be stud mounted. Requires in wall structure by RPV or structural team.
Min. Landscape and Portrait Panel Size	65"
Max Recommended Display Size Dia. 16:9	137"
Max Display Size Dia. 21:9	126"
Max Display Thickness to Hit ADA - Non Shift	3.52"
XARM Opening Distance (wall to back of display)	15.44" ⁹
XARM Closed Distance (wall to back of display)	As low as 0.6"
Horizontal Shift ⁶	0"
Vertical Shift ⁶	0"
X-ARM Plumb Alignment	-0.62° to 0°
Display Weight Capacity	700 lbs.
Approx. Display Weight Capacity ⁵ / X-ARM Max Load	700 / 820
Internal Mount Space X-ARM (WxHxD)	24.1" x 19.34" x 4.16"

Peripheral Plate Dim (WxHxD inches)	17.5" x 26.75" x 0.5"
BOX External Dimensions - no trim (WxHxD)	30.38" x 30.38" x 3.81"
BOX & Trim External Dimensions (WxHxD)	32.1" x 32.1" x 3.88"
Plate Attach Pattern to X-ARM (WxH)	26.5" x 11" x 11"
1-Gang Box Positions (top and bottom)	4 each
Conduit Knock Outs (top)	4 (qty. 2 x 1", qty. 2 x combo 0.75"/1.25")
Conduit Knock Outs (bottom)	4 (qty. 2 x 1", qty. 2 x combo 0.75"/1.25")
AUX Tray Position	2
1" Metal Multi-Piece Trim	Included with back box
System Weight	187.5 lbs.* ⁸

Wallmate 32MAXB6-XMR-LED-A Model Numbers

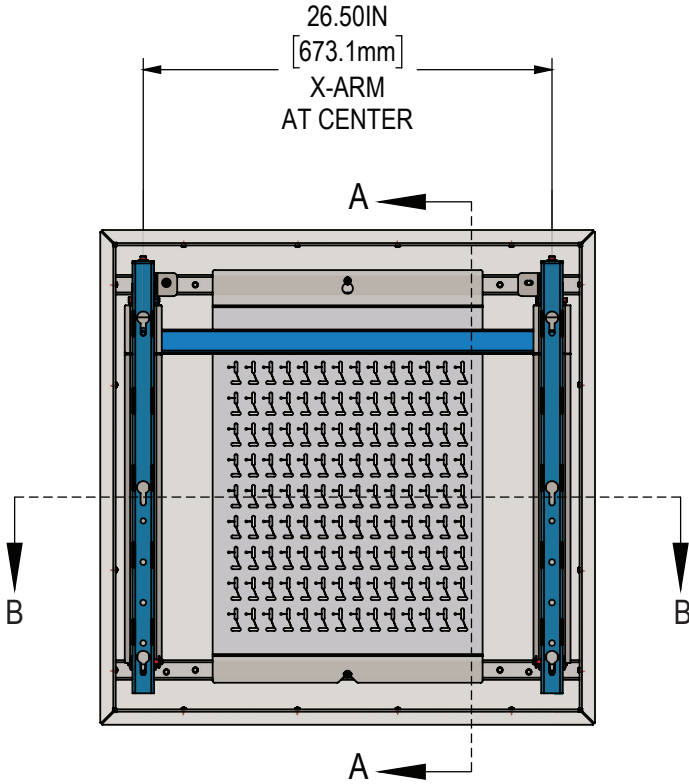
Wallmate RPWM-32MAXB6-XMR-LED-A Kit with ADA Mounting Plate (as shown in images)

Part Number	Description	Typical Purchaser
RPWM-32MAXB6-XMR-LED-A	Wallmate 32MAXB6 System for All-in-one LED systems up to 137" diagonal. Includes back box, peripheral mounting plate, box trim bezel, Heavy duty Roller X-ARM system, and made to order LED All-in-one mounting frame. Up to 700 lbs display weight.	Integrator
RPWM-32MAXB6-BOX-KIT	Metal back box for Wallmate 32MAXB6 systems. Mounts in 3.5" depth. Includes black peripheral mounting plate and black trim bezel. Integrated XMR heavy duty x-arm mounting points, 8 single gang box knock outs, 4 multi size conduit knock outs, 4 1" conduit knock outs, 2 knock outs for bottom auxiliary tray. Refer to structural engineer for wall build out. Gray box color. Up to 820 lbs weight load limit on x-arm.	General or electrical contractors (Split scope part 1 of 2)
RPWM-32MAXB6-XMR-LED-A-NB	Wallmate 32MAXB6 System for All-in-one LED systems up to 137" diagonal. Includes Heavy duty Roller X-ARM system, and made to order LED All-in-one mounting frame, based on 10 points of display attach. Back box kit sold separately. Up to 700 lbs display weight.	Integrator (Split scope part 2 of 2)

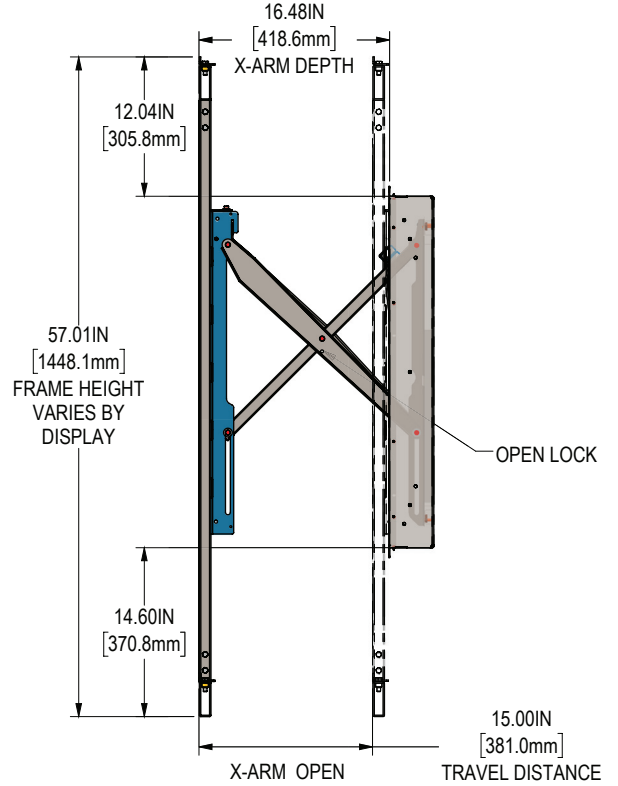
Additional Wallmate 32MAXB6 Accessories and Kits

Part Number	Description
RPWM-32MAXB-PM2	Dual layer Peripheral Plate for Wallmate 32MAXB
RPWM-32MAXB-BZL#	Wallmate 32MAXB deep Trim
RPWM-32MAXB-CVR	Blank back box cover plate for Wallmate 32MAXB
RPWM-TOUCH-S	Wallmate B Slim Series Touch Kit
RPWM-AUXBOX	Auxiliary box
RPWM-AUXBOX-F	Fiber access AUXBOX
RPWM-LOCK-S	Wallmate 16/32/32MAX Standard B and SLIM X-ARM Lock Kit
RPWM-EUPWR	European Power Adapter plate
Kits	Description
RPWM-32MAXB6-XMR-LED-T	Made to order Tile based LED Wallmate mounting system up to 137" dia.
RPWM-32MAXB6-XMR-OFFSET	Large display OFFSET plate - Pull out Wallmate 32MAXB6 kit
RPWM-32MAXB6-XMR-HSB-OFFSET	Horizontal Shift Offset Plate - Pull out Wallmate 32MAXB6 kit

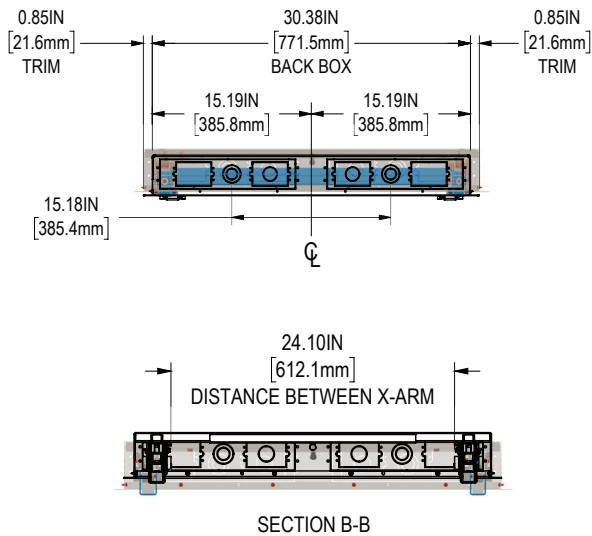
FRONT VIEW



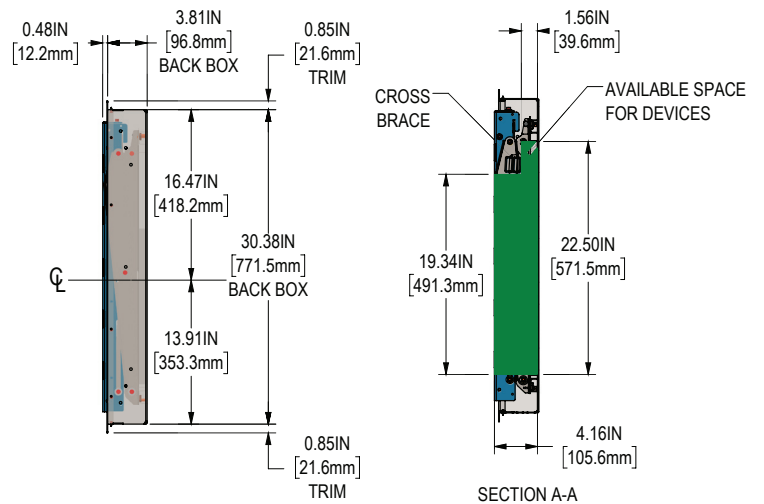
SIDE VIEW (X-ARMS OPEN)



BOTTOM VIEW



SIDE VIEW (X-ARMS CLOSED)



CONTACT US

rpvisuals.com/wallmate
info@rpvisuals.com
(714) 991-6400

- *1: Mounting is possible. Call 714-991-6400 for details.
- *2: Call for design assistance.
- *3: Larger display sizes are possible but may impede access to the peripheral mounting plate.
- *4: Changing from flat panels to LED systems requires a different mount interface. Call for design assistance.
- *5: LED system vary greatly for mounting requirements. Exact LED weight TBD based on mount interface requirements.
- *6: Shift range based on 600mmW x 400mmH hole pattern.
- *7: Shift based on optional ADA-HVSB mounting plate.
- *8: Estimated weight, weight varies by LED. Call for specific weights.
- *9: Depth may change by interface.
- *10: When 32MAX series back boxes are installed in 14-gauge studs, the weight limit is limited to 350 lbs.

