

WALLMATE FLUSH

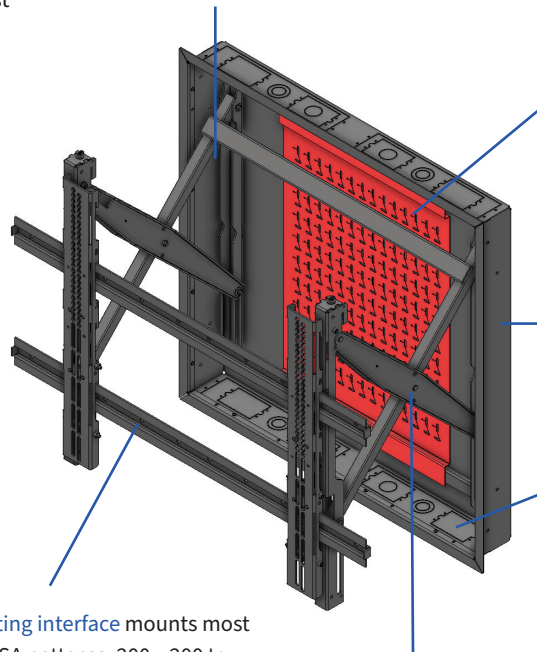
Flush In-Wall Flat Panel Mounting System

FOR DISPLAYS UP TO 325 LBS

The Wallmate 32MAXBF with Universal mount is a double stud bay system designed to be the thinnest in-wall mount possible for ADA compliance with large flat panel displays, while maintaining the ultimate in display mount flexibility.

- Manufactured with 11 to 14-gauge steel to create a rigid mount that will remain stable and level.
- Installation only requires simple tools such as a drill, screwdriver, and Allen key.
- Mounts directly to studs which eliminates the need for surface blocking. Contractors can install the back box during the construction phase.

Peripheral storage space makes it easy to mount AV gear behind the display while still remaining flush against the wall.



Rapid deployment quick-remove peripheral plates enable faster and more reliable roll outs by facilitating AV equipment being pre-dressed, and pre-tested.

New Flush back box has been redesigned to lower the profile and enable a flush closure.

Includes electrical knock outs for conduit and single gang boxes.

Universal mounting interface mounts most displays with VESA patterns, 200 x 200 to 800 x 600.

New Slim X-ARM system makes the display seem feather light, enabling easy, and safe service.

Wallmate 32MAXBF-XMS-UNV Product Specification

Stud Depth In Wall	3.5" or greater
Min. Landscape and Portrait Panel Size	65"
Max Recommended Display Size Dia. 16:9	98"
Max Display Thickness Hit ADA - Non Shift	2.99"
X-ARM Opening Distance (wall to back of display)	15.44"
X-ARM Closed Distance (wall to back of display)	1.01"
Horizontal Shift	+/-9.4" ⁶
Vertical Shift	+5.02"/-9.09" V ⁶
Rotation of Display	0-6.5mm height adjust per VESA location
X-ARM Plumb Alignment	-0.62° to 0°
Display Weight Capacity	325 lbs.
Internal Mount Space X-ARM (WxHxD)	24.1" x 19.34" x 3.75"
Peripheral Plate Dim (WxHxD inches)	17.5" x 26.75" x 0.5"
BOX External Dimensions - no trim (WxHxD)	30.38" x 30.38" x 3.81"

BOX & Trim External Dimensions (WxHxD)	32.1" x 32.1" x 3.88"
Plate Attach Pattern to X-ARM (WxH)	26.5" x 11"
Default VESA Pattern Width	200-800
Default VESA Pattern Height	200-600
1-Gang Box Positions (top and bottom)	4 each
Conduit Knock Outs (top)	4 (qty. 2 x 1", qty. 2 x combo 0.75"/1.25")
Conduit Knock Outs (bottom)	4 (qty. 2 x 1", qty. 2 x combo 0.75"/1.25")
AUX Tray Position	2
1" Metal Multi-Piece Trim	Included with back box
System Weight	90.02 lbs.

Wallmate 32MAXBF-XMS-UNV Model Numbers

Wallmate RPWM-32MAXBF-XMS-UNV Kit with Universal Mounting Plate (as shown in images)

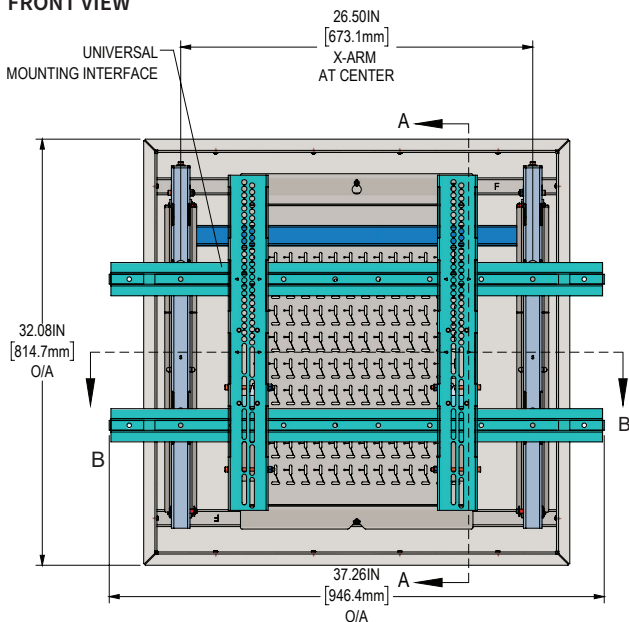
Part Number	Description	Typical Purchaser
RPWM-32MAXBF-XMS-UNV	Wallmate 32MAXBF system, includes Flush back box, peripheral mounting plate, and box trim bezel, Slim X-ARM, system, and Universal Mounting System. Closes 1.01" from wall, 325 lbs. capacity.	Integrator
RPWM-32MAXBF-BOX-KIT	Metal back box for Wallmate 32MAXBF systems. Mounts in standard 3.5" depth studs, includes peripheral mounting plate and trim bezel. Integrated mounting points, 8 single gang box knock outs, 4 multi size conduit knock outs, 4 1" conduit knock outs, 2 knock outs for bottom auxiliary tray. Mounts direct to 14 gauge studs. 325 lbs. capacity.	General or electrical contractors (Split scope part 1 of 2)
RPWM-32MAXBF-XMS-UNV-NB	Wallmate 32MAXBF system, includes Slim X-ARM, system, and Universal Mounting System. Closes 1.01" from wall, 325 lbs. capacity. Back box kit sold separately.	Integrator (Split scope part 2 of 2)

Additional Wallmate 32MAXBF Accessories and Kits

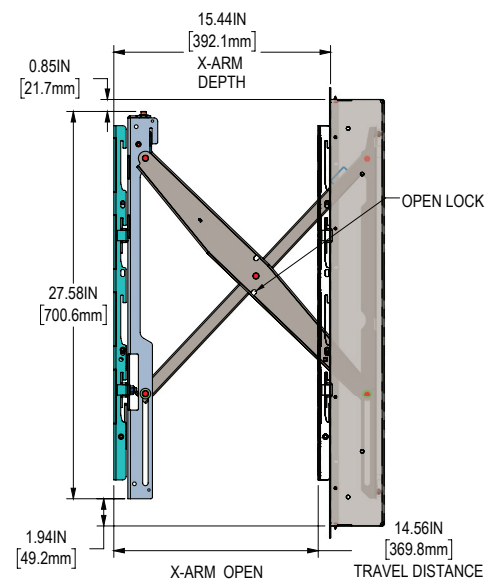
Part Number	Description
RPWM-UNV-64	Universal Mounting Plate
RPWM-32MAXBF-PMFLXS-1	Peripheral Plate, Wallmate 32MAXB for Crestron Flex Systems
RPWM-32MAXBF-PMFLX-1	Peripheral Plate, Wallmate 32MAXB for Crestron Flex Systems
RPWM-32MAXBF-PM	Peripheral Plate for Wallmate 32MAXBF
RPWM-32MAXB-BZL#	Wallmate 32MAXB Deep Trim
RPWM-32MAXB-CVR	Blank back box cover plate for Wallmate 32MAXB Series
RPWM-TOUCH-S	Wallmate B Slim Series Touch Kit
RPWM-UC-UNV-KCAM	Universal mount Camera kit. Call for matching number.
RPWM-UC-TNV-KCAM	TNV plate mounting kit for Wallmate 32/32MAX systems
RPWM-AUXBOX	Auxiliary box
RPWM-AUXBOX-F	Fiber access AUXBOX
RPWM-TILT	Wallmate B tilt brackets

RPWM-LOCK-S	Wallmate 16/32/32MAX Standard B and SLIM X-ARM Lock Kit
RPWM-EUPWR	European Power Adapter plate
RPWM-UNV64-C#	VESA Converter
RPWM-UC-SPK-LR	Wallmate Left/Right loudspeaker mount kit for Universal mount
RPWM-UC-SPK-B	Wallmate Below display loudspeaker mount kit for Universal mount
Kits	Description
RPWM-32MAXBF-XMS-ADA	Flush close, thin ADA mounting plate - Pull out Wallmate 32MAXBF kit
RPWM-32MAXBF-XMS-ADA-HVSB	Flush close, thin ADA shift mounting plate - Pull out Wallmate 32MAXBF kit
RPWM-32MAXBF-XMS-OFFSET	Thin offset plate - Pull out Wallmate 32MAXBF kit
RPWM-32MAXBF-XMS-ADA-LG110	Flush close kit for LG 110UM5J-B - Pull out Wallmate 32MAXBF

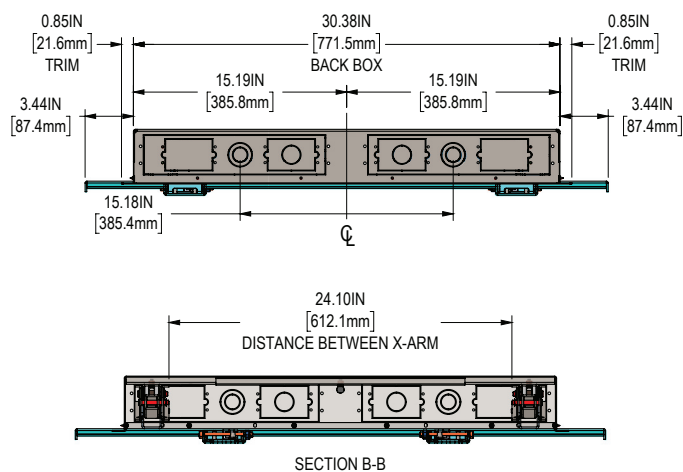
FRONT VIEW



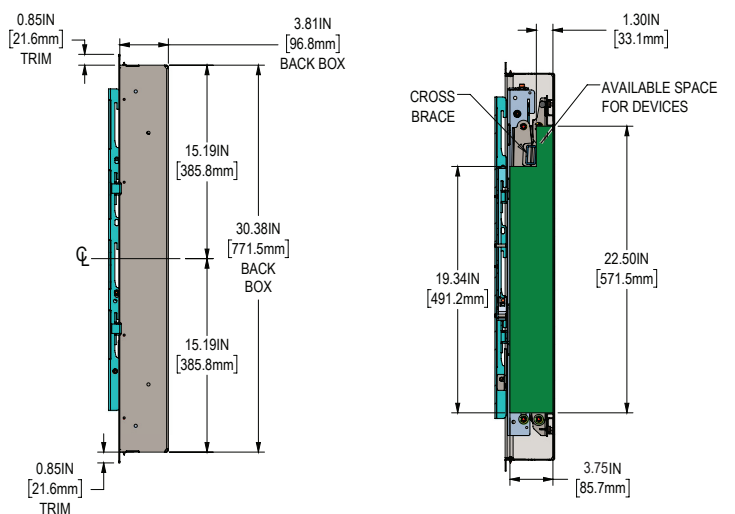
SIDE VIEW (X-ARMS OPEN)



BOTTOM VIEW



SIDE VIEW (X-ARMS CLOSED)



CONTACT US

rpvisuals.com/wallmate
 info@rpvisuals.com
 (714) 991-6400

- *1: Mounting is possible. Call 714-991-6400 for details.
- *2: Call for design assistance.
- *3: Larger display sizes are possible but may impede access to the peripheral mounting plate.
- *4: Changing from flat panels to LED systems requires a different mount interface. Call for design assistance.
- *5: LED system vary greatly for mounting requirements. Exact LED weight TBD based on mount interface requirements.
- *6: Shift range based on 600mmW x 400mmH hole pattern.
- *7: Shift based on optional ADA-HVSB mounting plate.

