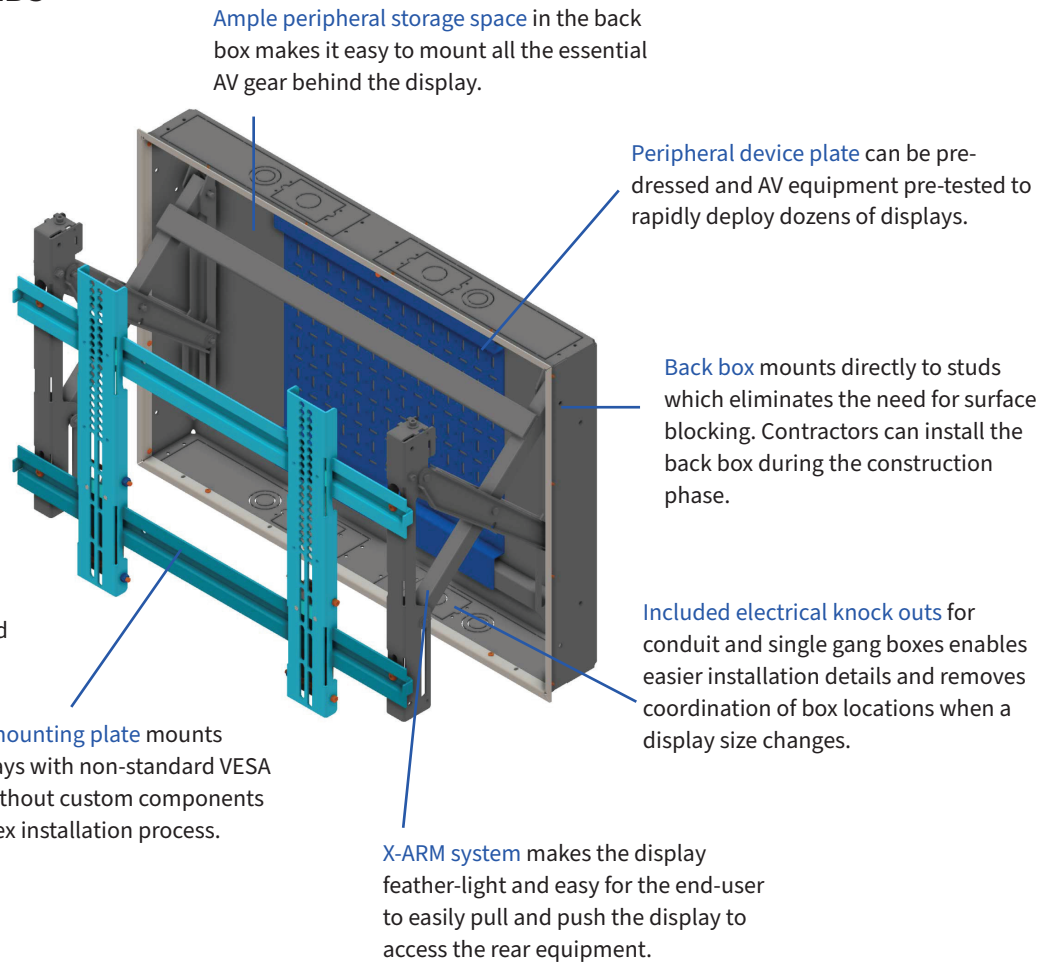


WALLMATE MINI

In-Wall Flat Panel Mounting System FOR DISPLAYS UP TO 200 LBS

Wallmate Mini integrates the back box, display mounting plate, and AV device mounting into one complete system while maintaining a thin display-to-wall profile.

- Thin wall to display profile helps achieve ADA compliance.
- Manufactured with 11 to 14-gauge steel in the USA to create a rigid mount that will remain stable and level.
- Only simple tools such as a drill, screwdriver, and Allen key are needed to mount the system.



Wallmate 32BM-XM-UNVM Product Specifications (specifications subject to change)

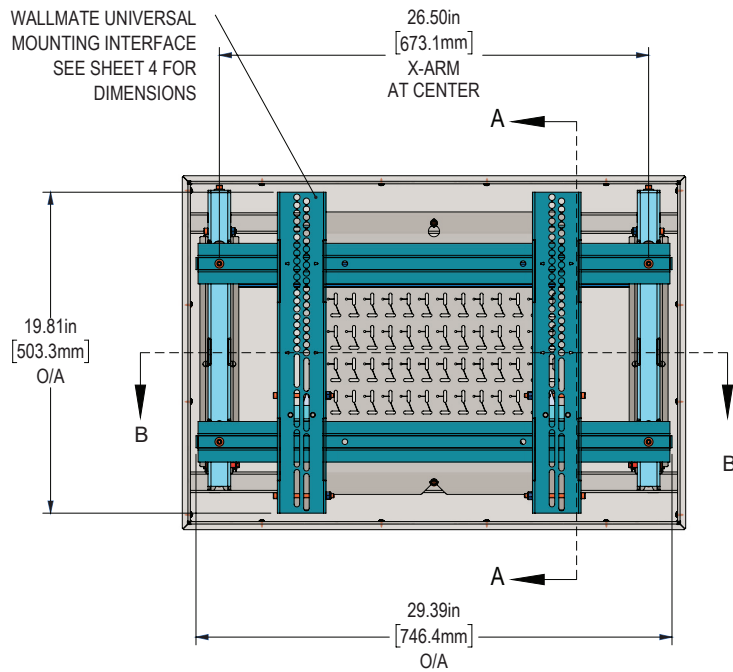
Min. Landscape Panel Size	43" - May be covered by some 42" panels
XARM Opening Distance (wall to back of display)	9.6"
XARM Closed Distance (wall to back of display)	1.49" (UNV) 0.6" (TNV)
Weight Capacity	200 lbs.
Internal Mount Space X-ARM (WxHxD)	8.6" x 10.75" x 4.13"
BOX External Dimensions (WxHxD) – no trim	30.38" x 21.15" x 3.81"
BOX & Trim External Dimensions (WxHxD)	31.08" x 21.85" x 3.98"
Universal Mount Size	29.39" x 19.81" x 1.01"
1-Gang Box Positions (top and bottom)	2 each
Aux Box Knock Out (bottom)	2 (restricted access height)
Conduit Knock Outs (top)	4 (qty. 2 x 1", qty. 2 x combo 0.75"/1.25")
Conduit Knock Outs (bottom)	4 (qty. 2 x 1", qty. 2 x combo 0.75"/1.25")
Weight	65.13 lbs.

Wallmate 32BM-XM-UNVM Model Numbers

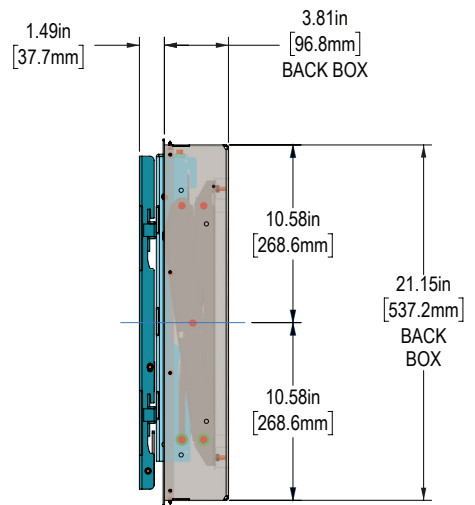
Wallmate 32BM-XM-UNVM Kit with Universal Mounting Plate (as shown in images)

Part Number	Description
RPWM-32BM-XM-UNVM	Universal-Pull out Wallmate 32BM Kit
RPWM-32BM-XM-UNVM-NB	No Box - Universal-Pull out Wallmate 32BM Kit
RPWM-32BM-BOX-KIT	Wallmate 32BM Back Box
RPWM-UNV-33	Small Display Universal Mount

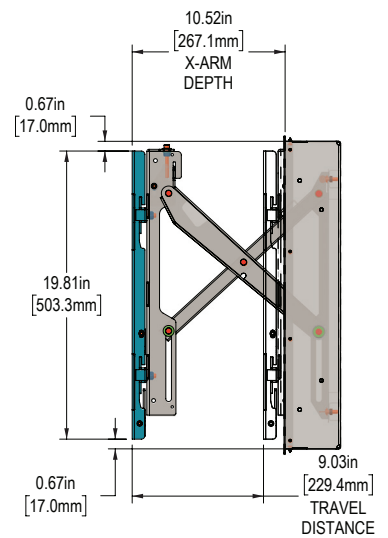
FRONT VIEW



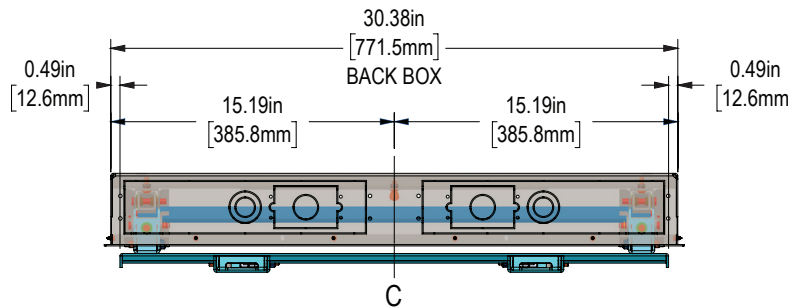
SIDE VIEW (X-ARMS CLOSED)



SIDE VIEW (X-ARMS OPEN)



TOP VIEW



CONTACT US

rpvisuals.com/wallmate
info@rpvisuals.com
(714) 991-6400

