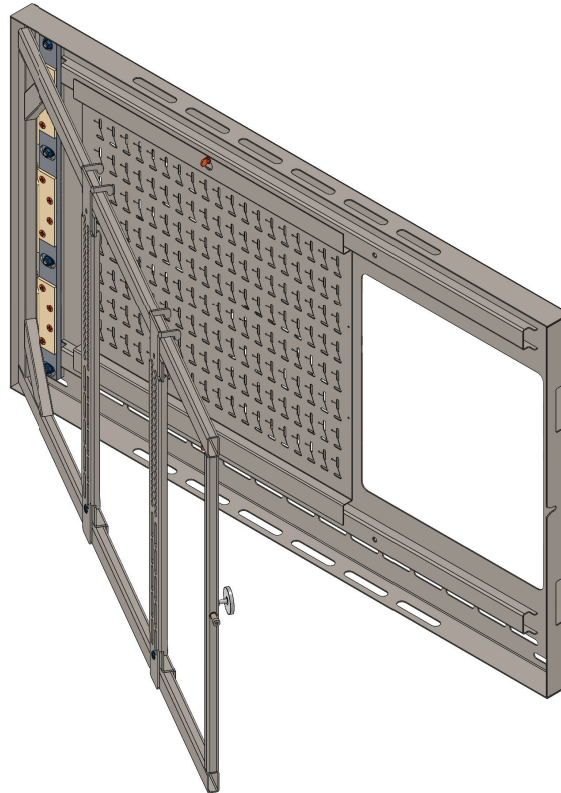


WALLMATE SURFACE

On-Wall Flat Panel Mounting System FOR DISPLAYS UP TO 150 LBS

The Wallmate Surface B is an on-wall mounting system for flat panel displays featuring a swing open door and peripheral equipment storage.

- Manufactured with 11 to 14-gauge steel to create a rigid mount that will remain stable and level.
- Installation only requires simple tools such as a drill, screwdriver, and Allen key.
- Closes to 2" from back of display to wall assist with ADA compliance.



Swing open door creates effortless easy service access.

Removable device mount plates allows quick exchange service and assembly line style, off-site preparation.

Oversized rear openings accommodate easy installation and coordination of junction boxes up to 14.5" x 14.5".

Magnetic closure latch secures the display and rear AV equipment.

Dual display ready allows use as single unit or dual unit room front.

Wallmate Surface B Product Specification

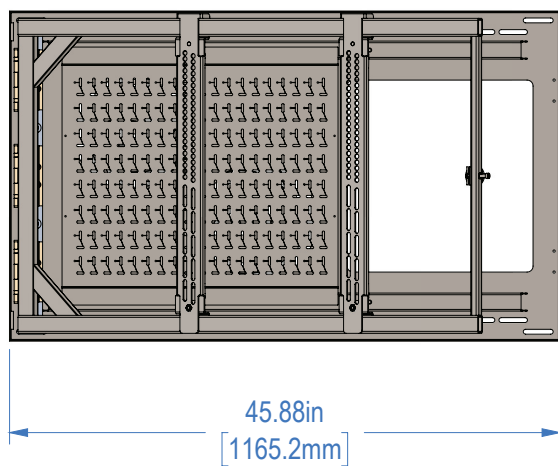
Capacity	150 lbs.
Product Weight	64 lbs.
Warranty	1 year
Display Size	Mounts 55"-75" flat panels
Peripheral plate mounting area	23.5" x 18.5" x 1.93"
Size	45.8" x 27.5" x 2"
VESA	200 x 200 up to 600 x 400
Door leveling	+/-1 degree

Wallmate Surface B Model Numbers

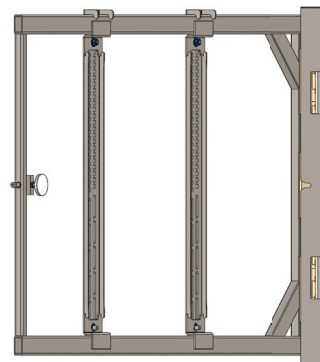
Wallmate RPWM-SURFB Kit with Universal Mounting Plate (as shown in images)

SKU	Short Description	Long Description
RPWM-SURFB ¹	Wallmate Surface B Kit	Surface B mounted swing open style system, large rear opening with single large peripheral plate. 2" thin, 150 lbs. capacity. Suitable for displays in landscape from 55"-75".
RPWM-SURFB-DL	Wallmate Dual Surface B	Two Wallmate Surface B unit, includes one small standard spacer, and one camera spacer.
RPWM-SURFB-SP-KIT	Wallmate Dual Surface spacer kit	Wallmate Dual Surface B spacer kit for 65" and 75" displays. Includes large center spacer, and 2 smaller spacers.

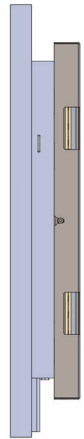
FRONT VIEW



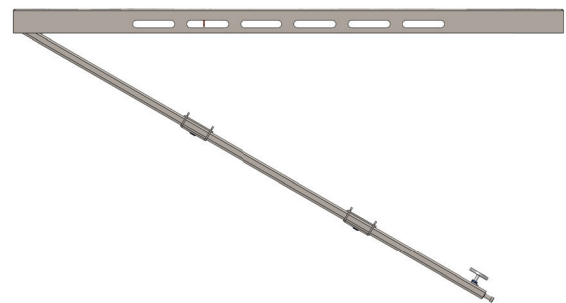
SIDE VIEW (OPEN)



SIDE VIEW (CLOSED)



TOP VIEW (OPEN)



CONTACT US

rpvisuals.com/wallmate
 info@rpvisuals.com
 (714) 991-6400

- *1: Mounting is possible. Call 714-991-6400 for details.
- *2: Call for design assistance.
- *3: Larger display sizes are possible but may impede access to the peripheral mounting plate.
- *4: Changing from flat panels to LED systems requires a different mount interface. Call for design assistance.
- *5: LED system vary greatly for mounting requirements. Exact LED weight TBD based on mount interface requirements.
- *6: Shift range based on 600mmW x 400mmH hole pattern.
- *7: Shift based on optional ADA-HVSB mounting plate.

