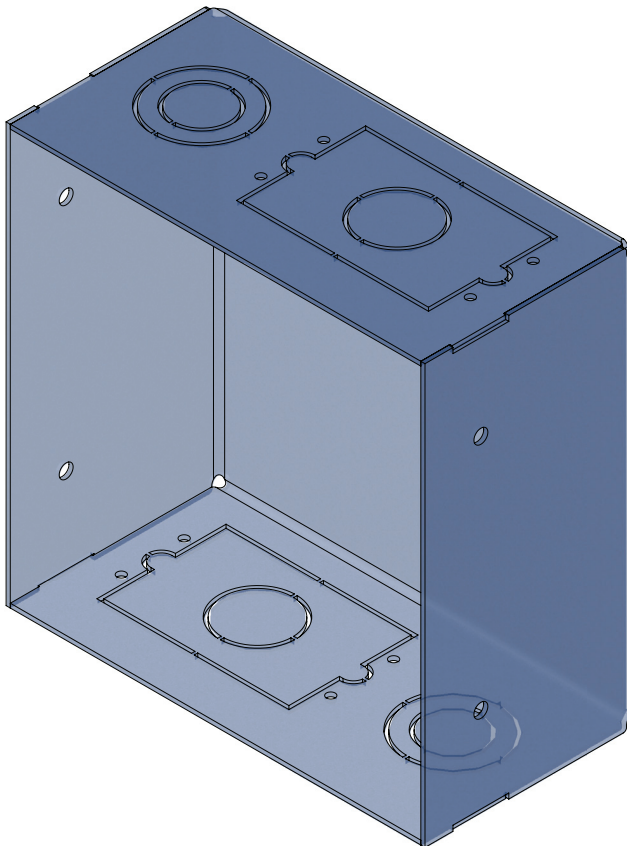


SMALL WALL BOX FOR DISPLAYS

Metal In-Wall Box To Hold Standard Rated Boxes
FOR USE WITH SINGLE DISPLAYS OR CUSTOM ARRAY MOUNTS

The Wallmate in wall BD-77 box is a small in wall box made to hold rated electrical boxes supplied by others.

- Holds standard electrical boxes in wall.
- Allow landing of low voltage conduits.
- Small enough to allow crossing conduits within same stud cavity.



ALL metal folded and welded construction.

Knock outs for easy coordination and detail creation.

Unique bright blue color easily identifiable and locatable behind displays.

Flexible mounting can be mounted upright or 90 degree as site requires.

Expansion Kit Specification

Product Weight	3 lbs.
Conduit Knock Outs	1 multisize top/bottom with 3/4" and 1.25" each
Box Knock Outs	2x single gang with 1" conduit each (1 top/1 bottom)
Color	Blue
Overall Dimensions	7.5" x 7.5" x 3.9"