

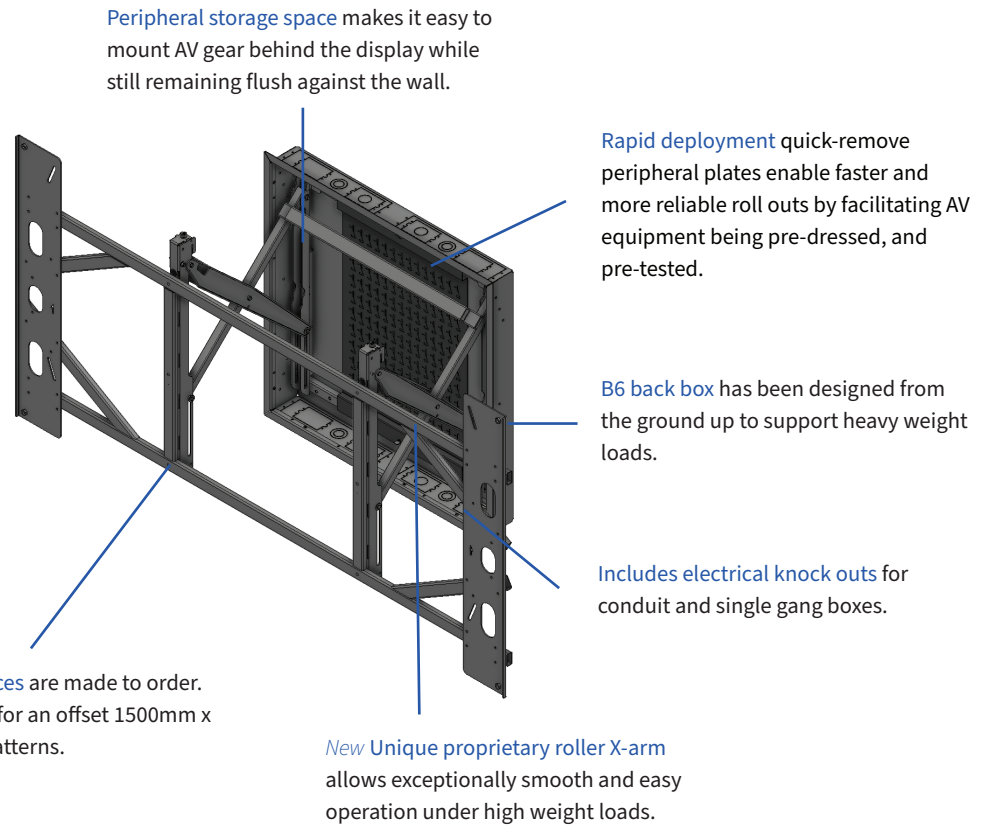
WALLMATE B6

In-Wall Flat Panel Mounting System

FOR DISPLAYS UP TO 425 LBS*¹⁰

The Wallmate B6 series is made to hold the largest flat panel displays on the market with very easy and stable service access.

- X-arm has been redesigned to enable close as low as 0.6".
- Manufactured with 11 to 14-gauge plate and tube steel as well as machined services to create a rigid mount that will remain stable and level.
- Installation only requires simple tools such as a drill, screwdriver, and allen key.



Wallmate 32MAXB6-XMR-OFFSET Product Specifications

Structure In Wall	Can't be stud mounted. Requires in-wall structure by rpv or structural team.
Min. Landscape and Portrait Panel Size	65"
Max Recommended Display Size Dia. 16:9	120"
Max Display Size Dia. 21:9	110"
Max Display Thickness to Hit ADA - Non Shift	3.4" including interface ²
X-arm Opening Distance (wall to back of display)	15.44" ⁹
X-arm Closed Distance (wall to back of display)	As low as 0.6"
Horizontal Shift	0" (default) ²
Vertical Shift	0" (default) ²
Rotation of Display	±2°
X-arm Plumb Alignment	-0.62° to 0°
Display Weight Capacity	425 lbs. ¹⁰

Internal Mount Space X-arm (WxHxD)	24.1" x 19.34" x 4.16"
Peripheral Plate Dim (WxHxD inches)	17.5" x 26.75" x 0.5"
Box External Dimensions – No Trim (WxHxD)	30.38" x 30.38" x 3.81"
Box & Trim External Dimensions (WxHxD)	32.1" x 32.1" x 3.81"
Plate Attach Pattern to X-arm (WxH)	26.5" x 11" x 11"
1-Gang Box Positions (top and bottom)	4 each
Conduit Knock Outs (top)	4 (qty. 2 x 1", qty. 2 x combo 0.75"/1.25")
Conduit Knock Outs (bottom)	4 (qty. 2 x 1", qty. 2 x combo 0.75"/1.25")
AUX Tray Position	2
1" Metal Multi-Piece Trim	Included with back box
System Weight	121.45 lbs.

Wallmate 32MAXB6-XMR-OFFSET Model Numbers

Wallmate RPWM-32MAXB6-XMR-OFFSET Kit with OFFSET Mounting Plate (as shown in images)

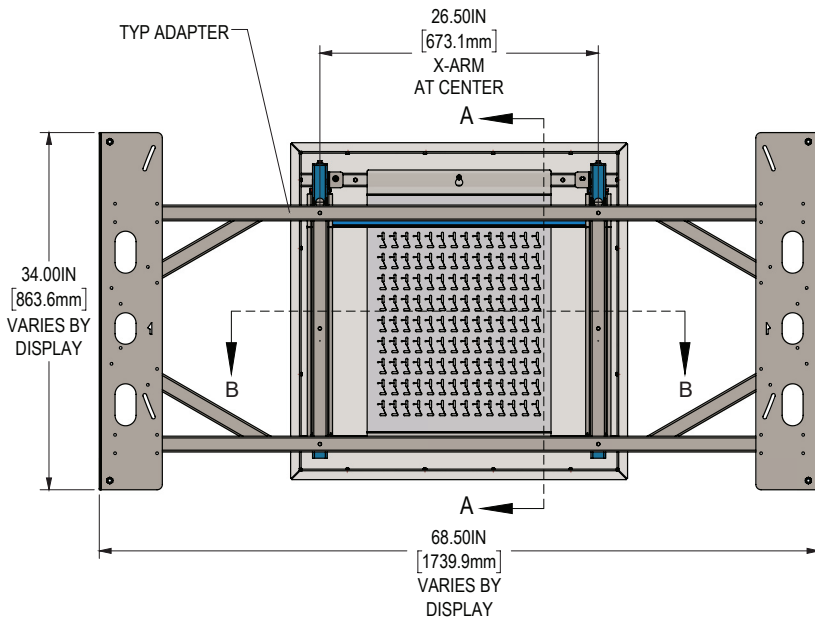
Part Number	Description	Typical Purchaser
RPWM-32MAXB6-XMR-OFFSET	Wallmate 32MAXB6 system, includes B6 back box, peripheral plate, box trim bezel, heavy duty roller x-arm, and made to order landscape mounting plate for up to 425 lbs. display, 1500mm wide VESA patterns. Closes as low as 0.6" from wall.	Integrator
RPWM-32MAXB6-BOX-KIT	Metal back box for Wallmate 32MAXB6 systems. Mounts in 3.5" depth. Includes black peripheral plate and black trim bezel. Integrated XMR heavy duty x-arm mounting points, 8 single gang box knock outs, 4 multi size conduit knock outs, 4 1" conduit knock outs, 2 knock outs for bottom auxiliary tray. Refer to structural engineer for wall build out. Gray box color. Up to 820 lbs. (372.7kg) on x-arm. X-arm and interface sold separately.	General or electrical contractors (Split scope part 1 of 2)
RPWM-32MAXB6-XMR-OFFSET-NB	Wallmate 32MAXB6 system, includes heavy duty roller x-arm, and made to order landscape mounting plate for up to 425 lbs. display, 1500mm wide VESA patterns. Closes as low as 0.6" from wall. Back box kit sold separately.	Integrator (Split scope part 2 of 2)

Additional Wallmate 32MAXB6 Accessories and Kits

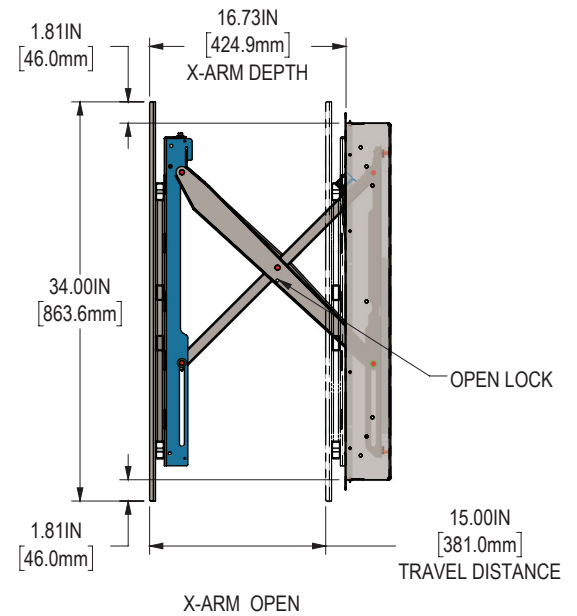
Part Number	Description
RPWM-32MAXB6-HFRAME	Wallmate 32MAXB6 in wall H-frame
RPWM-UNV-158	Wallmate B6-XMR Universal mount
RPWM-32MAXB6-PM	Peripheral device mounting plate for Wallmate 32MAXB6
RPWM-32MAXB6-PM2	Dual layer peripheral device mounting plate for Wallmate 32MAXB6
RPWM-32MAXB-BZL#	Wallmate 32MAXB deep trim
RPWM-32MAXB-CVR	Blank back box cover plate for Wallmate 32MAXB series
RPWM-LOCK-R	Wallmate B6 XMR x-arm lock Kit
RPWM-TOUCH-R	Wallmate B6 XMR x-arm touch kit
RPWM-EUPWR	European power adapter plate
RPWM-AUXBOX	Auxilliary box

RPWM-UC-SPK-(A, B, or L/R)	Wallmate (above, below, or left/right) display loudspeaker mount kit for Universal mount
RPWM-UC-UNVS-KCAM	Universal mount camera kit. Call for matching number.
Kits	Description
RPWM-32MAXB6-XMR-UNV-158	Universal Mount - Pull out Wallmate 32MAXB6 kit
RPWM-32MAXB6-DLPVT-OFFSET	Custom dual pivot system for 32MAXB6 back box

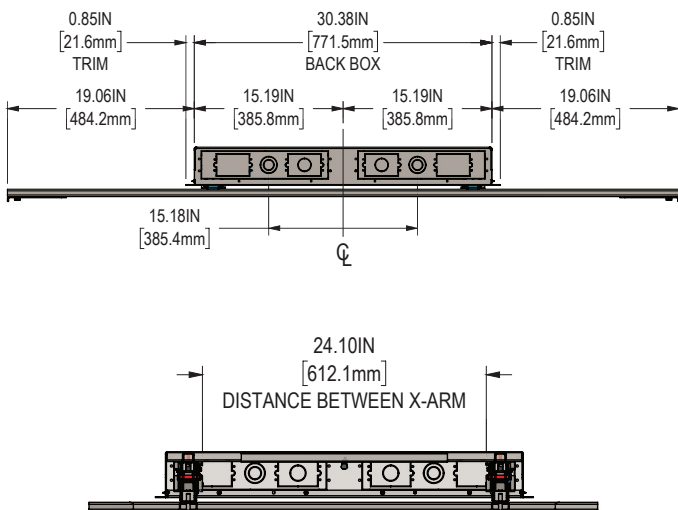
FRONT VIEW



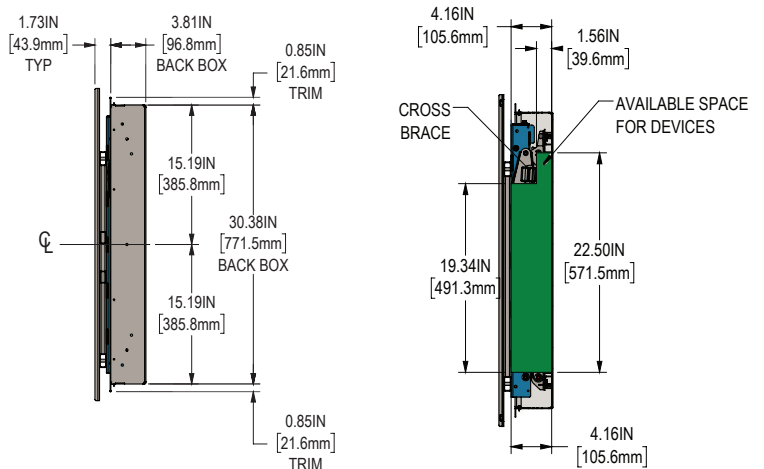
SIDE VIEW (X-ARMS OPEN)



TOP VIEW



SIDE VIEW (X-ARMS CLOSED)



*2: Call for design assistance.

*9: Depth may change by interface.

*10: When 32MAX series back boxes are installed in 14-gauge studs, the weight limit is limited to 350 lbs.

CONTACT US

rpvisuals.com/wallmate
info@rpvisuals.com
(714) 991-6400

