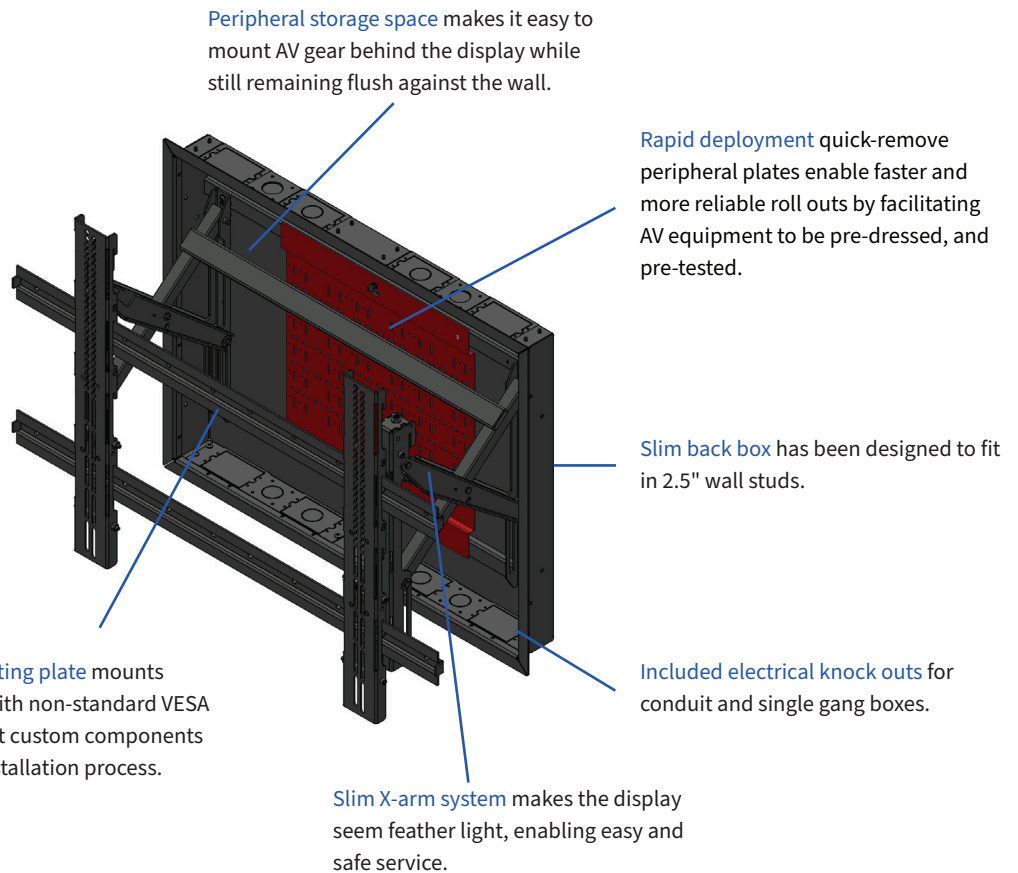


# WALLMATE SLIM

## In-Wall Flat Panel Mounting System to Achieve ADA Compliance on 2.5" Stud Walls FOR DISPLAYS LARGER THAN 55" AND UP TO 225 LBS

The Wallmate 32BS with Universal mount is dual stud bay system designed for mounting into 2.5" stud walls, while maintaining the ultimate in display mount flexibility with a low profile.

- Closes to 1.49" from the wall to help achieve ADA compliance.
- Manufactured with 11 to 14-gauge steel, in the USA, to create a rigid mount that will remain stable and level.
- Mounts directly to studs which eliminates the need for surface blocking. Contractors can install the back box during the construction phase.



Universal mounting plate mounts most displays with non-standard VESA patterns without custom components or a complex installation process.

### Wallmate 32BS-XMS-UNV Product Specifications

Stud Depth In Wall	2.5"
Min. Landscape and Portrait Panel Size	50" L / 65" P
Max Recommended Display Size Dia. 16:9	75" <sup>3</sup>
Max Display Thickness to Hit ADA - Non Shift	2.51"
X-arm Opening Distance (wall to back of display)	10.12"
X-arm Closed Distance (wall to back of display)	1.49" (OFFSET plate: 0.6")
Horizontal Shift	+/-9.4" H <sup>6</sup>
Vertical Shift	+5.02"/-9.09" V <sup>6</sup>
Rotation of Display	0-6.5mm height adjust per VESA location
X-arm Plumb Alignment	-1.03° to 0°
Display Weight Capacity	225 lbs.
Internal Mount Space X-arm (WxHxD)	24.1" x 10.5" x 3.43"
Peripheral Plate Dim (WxHxD inches)	16.5" x 17.4" x 0.5"

<b>Box External Dimensions – No Trim (WxHxD)</b>	30.38" x 23.34" x 3.13"
<b>Box &amp; Trim External Dimensions (WxHxD)</b>	32.1" x 25" x 3.88"
<b>Plate Attach Pattern to X-arm (WxH)</b>	26.5" x 11"
<b>Default VESA Pattern Width</b>	200-800
<b>Default VESA Pattern Height</b>	200-600
<b>1-Gang Box Positions (top and bottom)</b>	4
<b>Conduit Knock Outs (top)</b>	4 qty. x 1"
<b>Conduit Knock Outs (bottom)</b>	4 qty. x 1"
<b>AUX Tray Not Compatible</b>	0
<b>1" Metal Multi-Piece Trim</b>	Included with back box
<b>System Weight</b>	70.25 lbs.

## Wallmate 32BS-XMS-UNV Model Numbers

Wallmate RPWM-32BS-XMS-UNV Kit with Universal Mounting Plate (as shown in images)

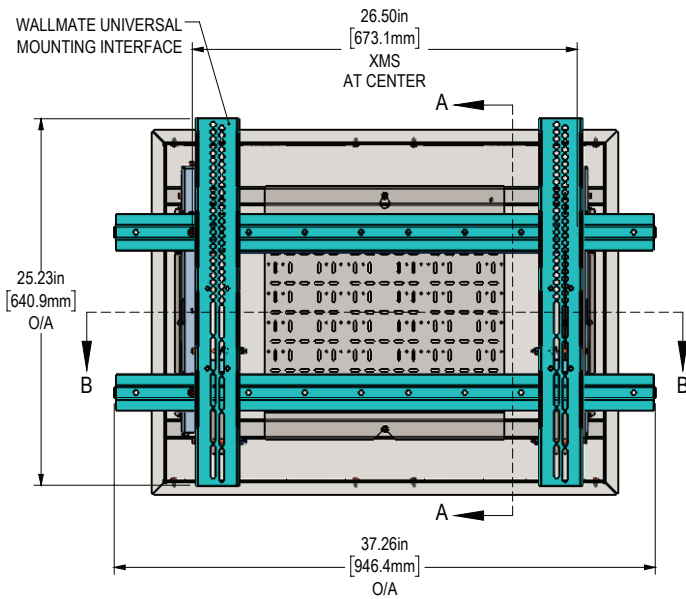
Part Number	Description	Typical Purchaser
RPWM-32BS-XMS-UNV	Wallmate 32BS system, includes Slim back box for 2.5" stud wall, peripheral plate, box trim bezel, Slim x-arm, and Universal mount. Closes to 1.49", 225 lbs. capacity.	Integrator
RPWM-32BS-BOX-KIT	Metal back box for Wallmate 32BS systems. Includes shallow 2.5" stud walls, includes peripheral plate and trim bezel, includes four plates for total of 8 single gang box knock outs, 4 multi size conduit knock outs, (12) 1" conduit knock outs. 225 lbs. capacity. No AUXBOX knock out. X-arm and interface sold separately.	General or electrical contractors (Split scope part 1 of 2)
RPWM-32BS-XMS-UNV-NB	Wallmate 32BS system, includes Slim x-arm, Universal mount. Closes to 1.49", 225 lbs. capacity. Back box kit sold separately.	Integrator (Split scope part 2 of 2)

Additional Wallmate 32BS Accessories and Kits

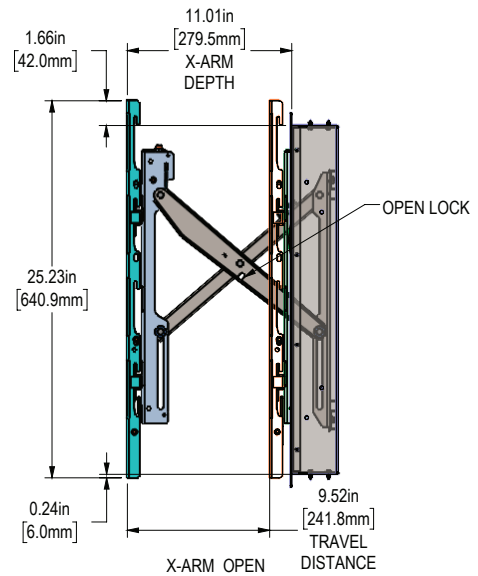
Part Number	Description
RPWM-UNV-44-P	Portrait orientation small display Universal mount systems
RPWM-UNV-64	Universal mount assembly
RPWM-32BS/F-PM	Wallmate 32BF and BS series peripheral device mounting plate
RPWM-32BF-PM2	Dual layer peripheral device mounting plate for Wallmate 32BF and 32BS
RPWM-32BF-PMFLX-1	Wallmate 32BF peripheral device mounting plate for Crestron Flex systems
RPWM-32BF-PMFLX2-1	Dual layer peripheral device mounting plate, Wallmate 32BF for Crestron Flex systems
RPWM-32B-BZL#	Wallmate 32B deep trim
RPWM-32B-CVR	Blank back box cover plate for Wallmate 32B series
RPWM-LOCK-S	Wallmate Slim x-arm lock Kit
RPWM-TOUCH-S	Wallmate Slim x-arm touch kit
RPWM-SPCR-(S, M, L or OFFSET)	Pair of spacers for Wallmate x-arms (small, medium, large, or custom)
RPWM-AUXBOX	Auxiliary box
RPWM-AUXBOX-F	Fiber access AUXBOX
RPWM-UNV64-C#	VESA converter

RPWM-UC-BRKTS	UC bracket for Slim x-arms
RPWM-UC-SPK-(A, B, or L/R)	Wallmate (above, below, or left/right) display loudspeaker mount kit for Universal mount
RPWM-UC-UNVS-KCAM	Universal mount camera kit. Call for matching number.
<b>Kits</b>	<b>Description</b>
RPWM-32BS-XMS-ADA-HVSB2	Thin ADA shift mounting plate - Pull out Wallmate 32BS kit
RPWM-32BS-XMS-OFFSET	2.5" stud wall, offset plate - Pull out Wallmate 32BS kit
RPWM-32BS-XMS-TNV	2.5" stud wall - Thin-Pull out Wallmate 32BS kit

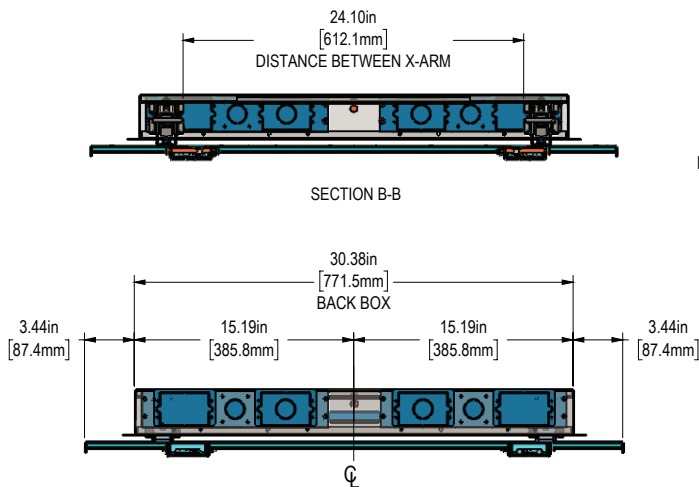
**FRONT VIEW**



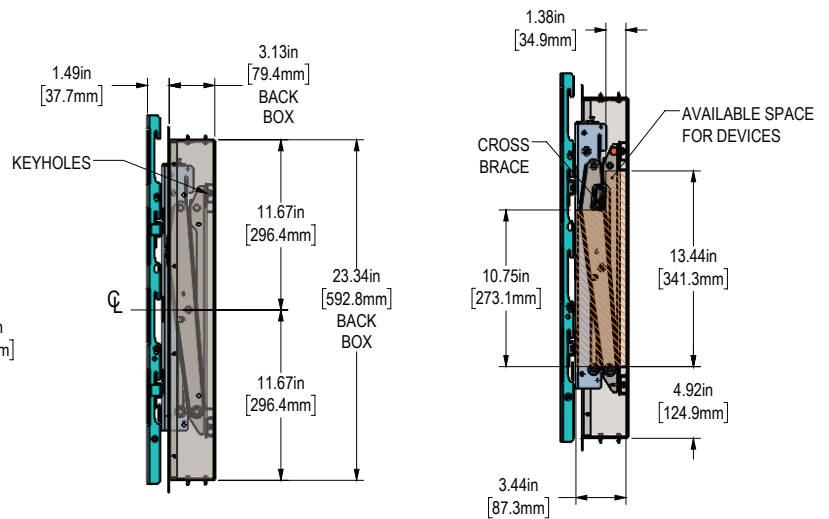
**SIDE VIEW (X-ARMS OPEN)**



**TOP VIEW**



**SIDE VIEW (X-ARMS CLOSED)**



\*3: Larger display sizes are possible but may impede access to the peripheral mounting plate  
 \*6: Shift range based on 600mmW x 400mmH hole pattern.

**CONTACT US**

rpvisuals.com/wallmate  
 info@rpvisuals.com  
 (714) 991-6400

