

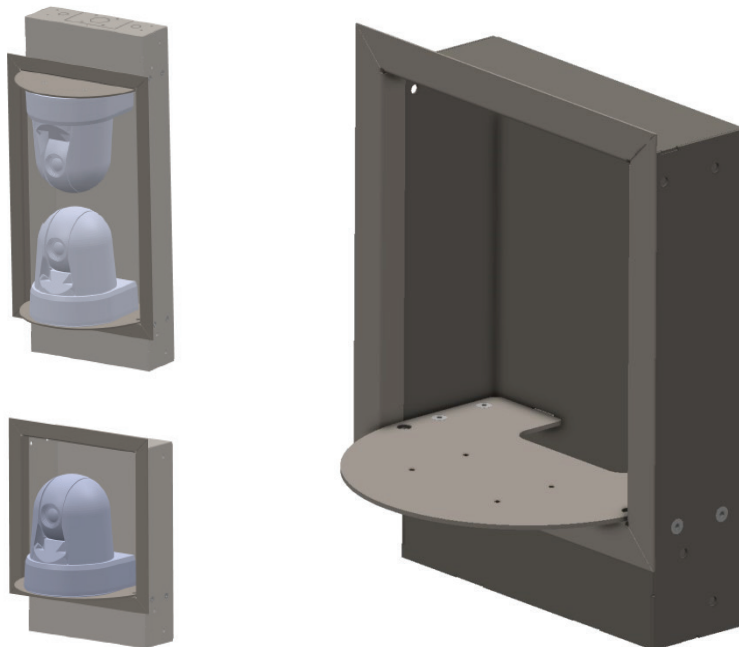
CAMERA BOX

Recessed Camera Mount

FOR SINGLE OR DUAL CAMERA PTZ CAMERAS

The recess camera box holds a single or dual set of PTZ cameras to be mounted with a reduced depth and clean appearance.

- 3.825" recess allows for reduced in room depth of PTZ cameras.
- Ultra clean appearance with single piece welded and ground bezel, recessed and flush screws and fastener, and cavity space for transmitters and cabling.
- Available in black, white powder coat, or primer finish for on site painting.



[Separate in wall box](#) allows for preinstall during dirty construction.

[Removable device mount plates](#) allows for camera flexibility and future replacements and model changes

[Oversized rear openings](#) accommodate 2-gang box/cover plates.

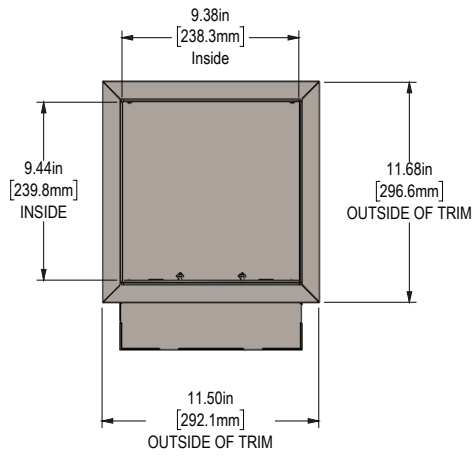
[Magnetic closure latch](#) secures the display and rear AV equipment.

Expansion Kit Specification

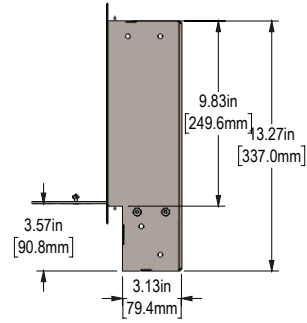
Capacity	1 or 2 camera units
Product Weight	16 lbs. single / 21 lbs. dual
Warranty	1 year
Camera Size	Varies (intended for all in one style PTZ cameras)
Knock Outs	1 gang with 1.25" conduit knock out, and two 0.75"
Single - Box Size (Overall)	9.7"w x 13.3"h x 3.9"d
Single - Camera Space	9.38"w x 9.44"h x as required
Dual - Box Size (Overall)	9.7"w x 23.7"h x 3.9"d
Dual - Camera Space	9.38"w x 8.19"h x as required

Camera mounting plate made to order. Contact us for sizes outside the standard option.

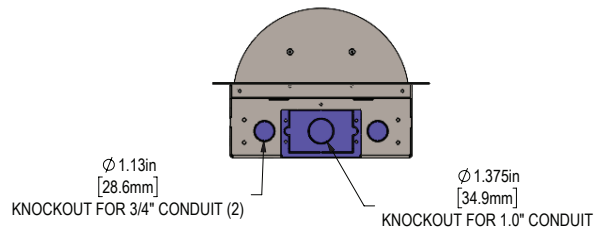
C-CU - REAR VIEW



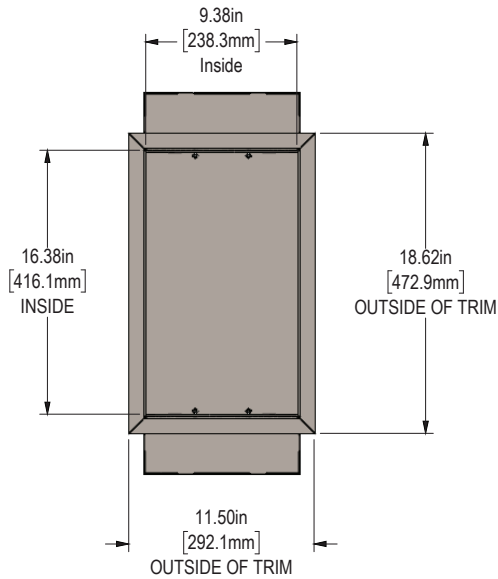
C-CU - SIDE VIEW (X-ARMS OPEN)



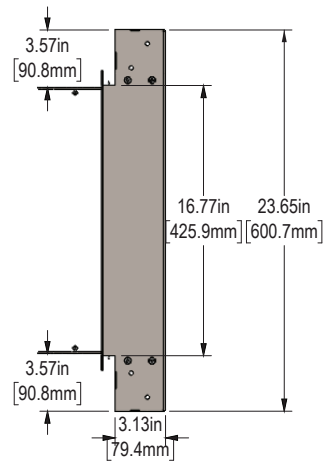
C-CU - TOP/BOTTOM VIEW



C-CU2 - REAR VIEW



C-CU2 - SIDE VIEW (X-ARMS OPEN)



C-CU2 - TOP/BOTTOM VIEW

