

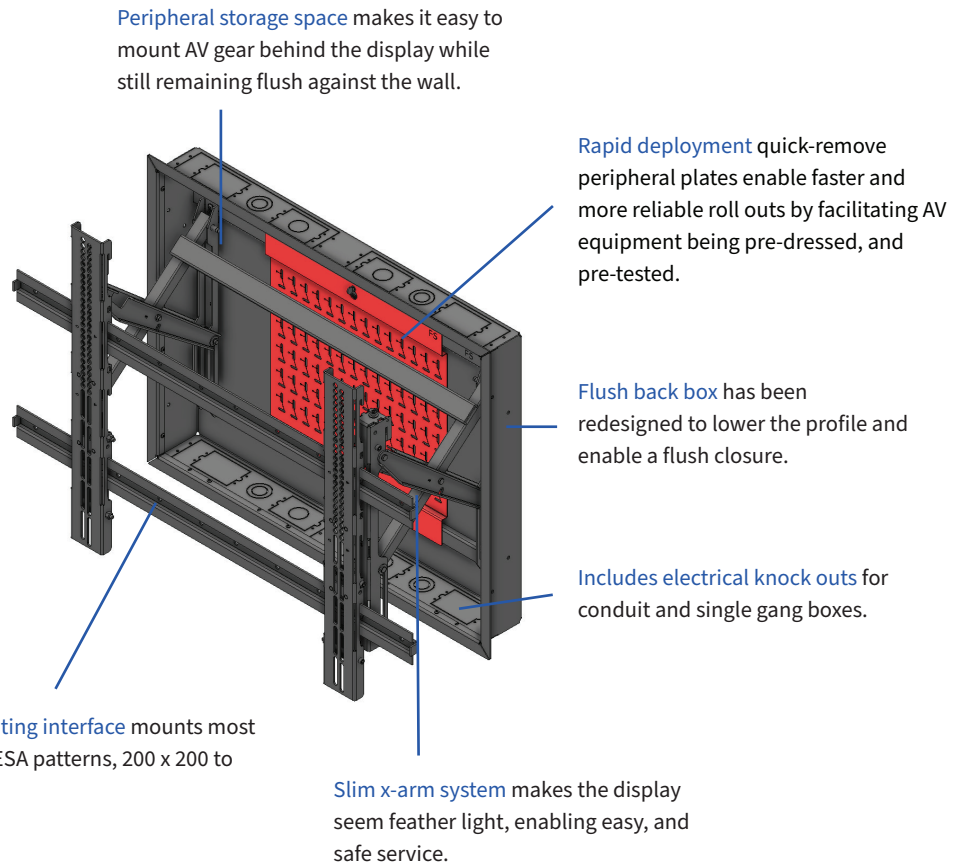
WALLMATE FLUSH

Flush In-Wall Flat Panel Mounting System

FOR DISPLAYS UP TO 250 LBS

The Wallmate 32BF with Universal mount is a double stud bay system designed to be the thinnest in-wall mount possible for ADA compliance, while maintaining the ultimate in display mount flexibility.

- Manufactured with 11 to 14-gauge steel to create a rigid mount that will remain stable and level.
- Installation only requires simple tools such as a drill, screwdriver, and Allen key.
- Mounts directly to studs which eliminates the need for surface blocking. Contractors can install the back box during the construction phase.



Wallmate 32BF-XMS-UNV Product Specification

Stud Depth In Wall	3.5" or greater
Min. Landscape and Portrait Panel Size	50" L / 65" P
Max Recommended Display Size Dia. 16:9	75" ³
Max Display Thickness to Hit ADA - Non Shift	2.99"
X-arm Opening Distance (wall to back of display)	10.32"
X-arm Closed Distance (wall to back of display)	1.01"
Horizontal Shift	+/-9.4" H ⁶
Vertical Shift	+5.02"/-9.09" V ⁶
Rotation of Display	0-6.5mm height adjust per VESA location
X-arm Plumb Alignment	-1.03° to 0°
Display Weight Capacity	250 lbs.
Internal Mount Space X-arm (WxHxD)	23.75" x 10.5" x 3.68"
Peripheral Plate Dim (WxHxD inches)	16.5" x 17.4" x 0.5"

Box External Dimensions - No Trim (WxHxD)	30.38" x 23.34" x 3.81"
Box & Trim External Dimensions (WxHxD)	32.1" x 25.0" x 3.9"
Plate Attach Pattern to X-arm (WxH)	26.5" x 11"
Default VESA Pattern Width	200-800
Default VESA Pattern Height	200-600
Max Horizontal and Vertical	800 x 600
1-Gang Box Positions (top and bottom)	4 each
Conduit Knock Outs (top)	4 (qty. 2 x 1", qty. 2 x combo 0.75"/1.25")
Conduit Knock Outs (bottom)	4 (qty. 2 x 1", qty. 2 x combo 0.75"/1.25")
AUX Tray Position	2
1" Metal Multi-Piece Trim	Included with back box
System Weight	70.31 lbs.

Wallmate 32BF-XMS-UNV Model Numbers

Wallmate RPWM-32BF-XMS-UNV Kit with Universal Mounting Plate (as shown in images)

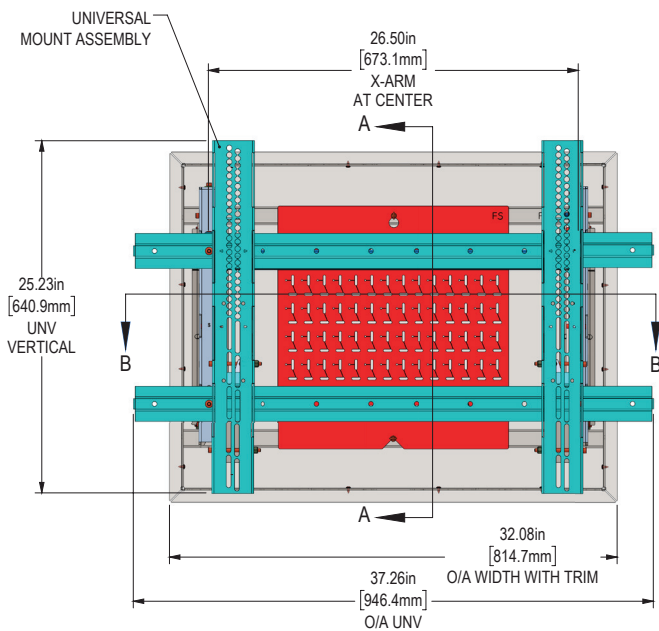
Part Number	Description	Typical Purchaser
RPWM-32BF-XMS-UNV	Wallmate 32BF System, includes Flush back box, peripheral plate, box trim bezel, Slim x-arm, and Universal mount. Closes 1.01" from wall. 250 lbs. capacity.	Integrator
RPWM-32BF-BOX-KIT	Metal back box for Wallmate 32BF systems. Mounts in standard 3.5" depth studs, includes peripheral plate and trim bezel. Integrated mounting points, 8 single gang box knock outs, 4 multi size conduit knock outs, 4 1" conduit knock outs, 2 knock outs for bottom auxiliary tray. Mounts direct to 14 studs. 300 lbs. capacity. X-arm and interface sold separately.	General or electrical contractors (Split scope part 1 of 2)
RPWM-32BF-XMS-UNV-NB	Wallmate 32BF System, includes Slim x-arm, and Universal mount. Closes 1.01" from wall. 250 lbs. capacity. Back box kit sold separately.	Integrator (Split scope part 2 of 2)

Additional Wallmate 32BF Accessories and Kits

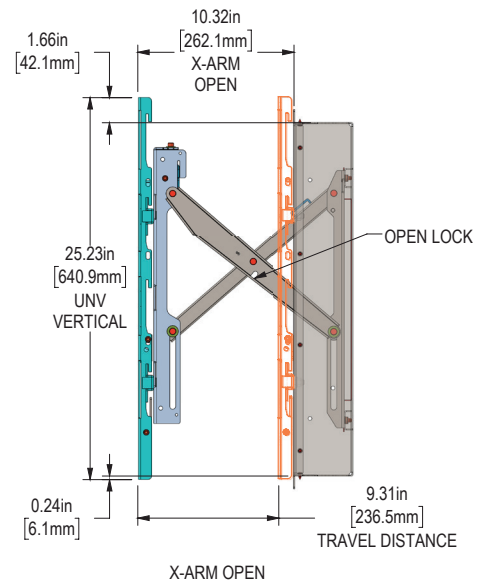
Part Number	Description
RPWM-UNV-64	Universal mount assembly
RPWM-32B-FLIP	FLIP up addition for Wallmate 32/32MAX series - Holds an offset plate or unv mount
RPWM-32BS/F-PM	Wallmate 32BF and BS series peripheral device mounting plate
RPWM-32BF-PM2	Dual layer peripheral device mounting plate for Wallmate 32BF and 32BS
RPWM-32BF-PMFLX-1	Wallmate 32BF peripheral device mounting plate for Crestron Flex systems
RPWM-32BF-PMFLX2-1	Dual layer peripheral device mounting plate, Wallmate 32BF for Crestron Flex systems
RPWM-32B-BZL#	Wallmate 32B deep trim
RPWM-32B-CVR	Blank back box cover plate for Wallmate 32B series
RPWM-LOCK-S	Wallmate Slim x-arm lock Kit
RPWM-TOUCH-S	Wallmate Slim x-arm touch kit
RPWM-TILT	Wallmate B tilt brackets
RPWM-EUPWR	European power adapter plate

RPWM-SPCR-(S, M, L, or OFFSET)	Pair of spacers for Wallmate x-arms (small, medium, large, or custom)
RPWM-AUXBOX	Auxiliary box
RPWM-UNV64-C#	VESA converter
RPWM-UC-BRKTs	UC bracket for Slim x-arms
RPWM-UC-SPK-(A, B, or LR)	Wallmate (above, below, or left/right) display loudspeaker mount kit for Universal mount
RPWM-UC-UNVS-KCAM	Universal mount camera kit. Call for matching number.
Part Number	Description
RPWM-32BF-XMS-ADA	Flush close, thin offset plate - Pull out Wallmate 32BF kit
RPWM-32BF-XMS-ADA-HVSB2	Thin ADA shift mounting plate - Pull out Wallmate 32BF kit

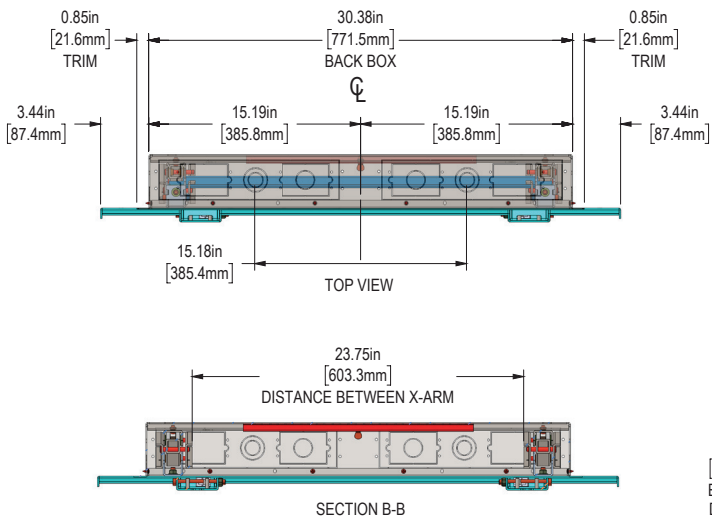
FRONT VIEW



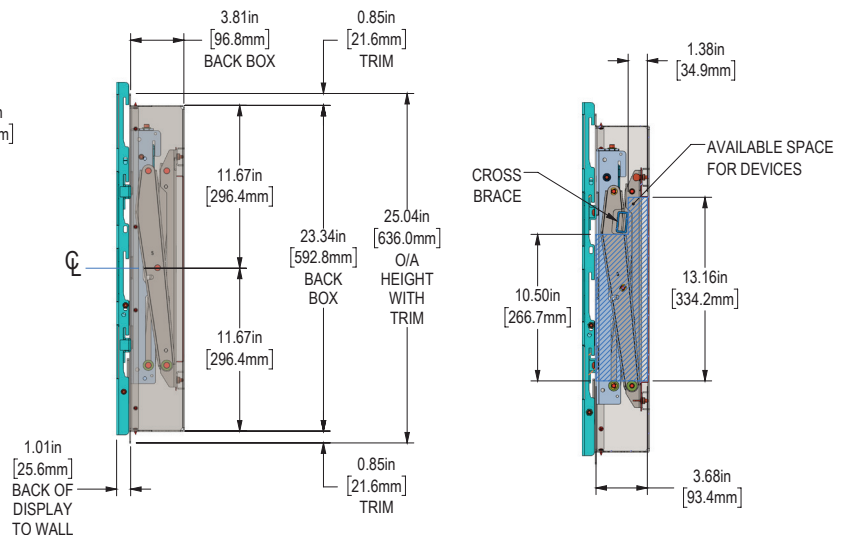
SIDE VIEW (X-ARMS OPEN)



TOP VIEW



SIDE VIEW (X-ARMS CLOSED)



*3: Larger display sizes are possible but may impede access to the peripheral mounting plate

*6: Shift range based on 600mmW x 400mmH hole pattern. For UNVM based on 300mmW x 300mmH holes pattern. For UNV-158 based on 900mmW x 600mmH holes pattern.

CONTACT US

rpvisuals.com/wallmate
info@rpvisuals.com
(714) 991-6400

