

# WALLMATE FLUSH

## Flush In-Wall Flat Panel Mounting System for ADA Compliance

### FOR DISPLAYS UP TO 325 LB

The Wallmate 32MAXBF with ADA mount is a double stud bay system for large flat panel displays, designed to be the thinnest in-wall mount possible, allowing the largest selection of displays to be ADA compliant.

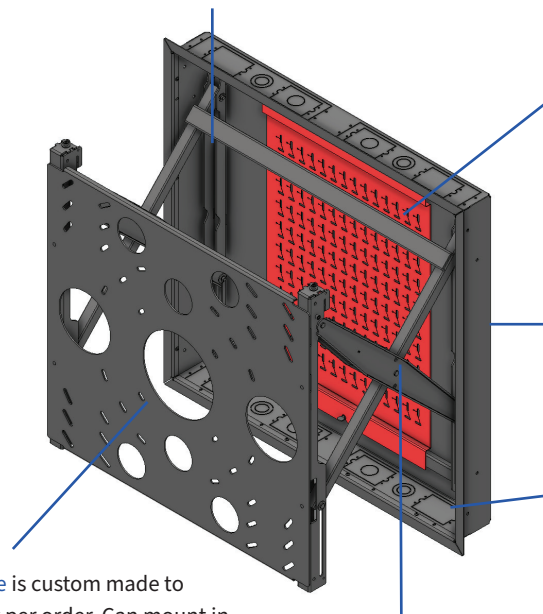
- X-arm has been redesigned to enable close as low as 0.0" to 0.12".
- Manufactured with 11 to 14-gauge steel to create a rigid mount that will remain stable and level.
- Installation only requires simple tools such as a drill, screwdriver, and allen key.

**Peripheral storage space** makes it easy to mount AV gear behind the display while still remaining flush against the wall.

**Rapid deployment** quick-remove peripheral plates enable faster and more reliable roll outs by facilitating AV equipment being pre-dressed, and pre-tested.

**Flush back box** has been designed to lower the profile and enable a flush closure.

**Includes electrical knock outs** for conduit and single gang boxes.



**ADA mounting plate** is custom made to match each display per order. Can mount in landscape or portrait.

**Slim x-arm system** makes the display seem feather light, enabling easy, and safe service.

## Wallmate 32MAXBF-XMS-ADA Product Specifications

Stud Depth In Wall	3.5" or greater
Min. Landscape or Portrait Panel Size	65"
Max Recommended Display Size Dia. 16:9	110"
Max Display Size Dia. 21:9	90"
Max Display Thickness to Hit ADA - Non Shift	3.88" - 4.0"
X-arm Opening Distance (wall to back of display)	14.56"
X-arm Closed Distance (wall to back of display)	0.0" - 0.12"
Horizontal Shift	0"
Vertical Shift	0"
Rotation of Display	0
X-arm Plumb Alignment	-0.62° to 0°
Display Weight Capacity	325 lbs.
Internal Mount Space X-arm (WxHxD)	23.75" x 19.44" x 3.56"

Peripheral Plate Dim (WxHxD inches)	17.5" x 26.75" x 0.5"
Box External Dimensions - No Trim (WxHxD)	30.38" x 30.38" x 3.81"
Box & Trim External Dimensions (WxHxD)	32.1" x 32.1" x 3.88"
Plate Attach Pattern to X-arm (WxH)	26.5" x 11"
Max Horizontal and Vertical	800 x 800
1-Gang Box Positions (top and bottom)	4 each
Conduit Knock Outs (top)	4 (qty. 2 x 1", qty. 2 x combo 0.75"/1.25")
Conduit Knock Outs (bottom)	4 (qty. 2 x 1", qty. 2 x combo 0.75"/1.25")
AUX Tray Position	2
1" Metal Multi-Piece Trim	Included with back box
System Weight	94.24 lbs.

## Wallmate 32MAXBF-XMS-ADA Model Numbers

Wallmate RPWM-32MAXBF-XMS-ADA Kit with ADA Mounting Plate (as shown in images)

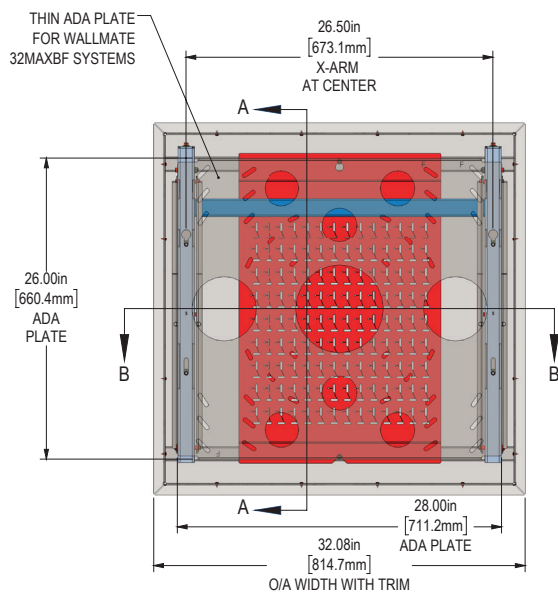
Part Number	Description	Typical Purchaser
RPWM-32MAXBF-XMS-ADA	Wallmate 32MAXBF system, includes Flush back box, peripheral plate, box trim bezel, Slim x-arm and ADA mounting plate. Close up to 0.12" from wall. 325 lbs. capacity.	Integrator
RPWM-32MAXBF-BOX-KIT	Metal back box for Wallmate 32MAXBF systems. Mounts in standard 3.5" depth studs, includes peripheral plate and trim bezel. Integrated mounting points, 8 single gang box knock outs, 4 multi size conduit knock outs, 4 1" conduit knock outs, 2 knock outs for bottom auxiliary tray. Mounts direct to 14 gauge studs. 325 lbs. capacity. X-arm and interface sold separately.	General or electrical contractors (Split scope part 1 of 2)
RPWM-32MAXBF-XMS-ADA-NB	Wallmate 32MAXBF system, includes Slim x-arm and ADA mounting plate. Closes up to 0.12" from wall. 325 lbs. capacity. Back box kit sold separately.	Integrator (Split scope part 2 of 2)

Additional Wallmate 32MAXBF Accessories and Kits

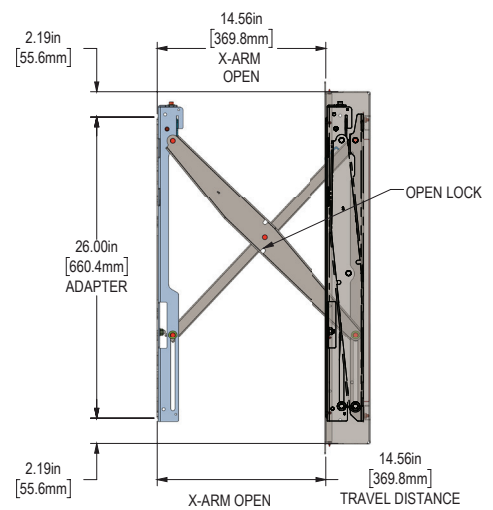
Part Number	Description
RPWM-UNV-64	Universal mount assembly
RPWM-32B-FLIP	FLIP up addition for Wallmate 32/32MAX series - Holds an offset plate or unv mount
RPWM-32MAXBF-PM	Peripheral device mounting plate for Wallmate 32MAXBF and BS Series
RPWM-32MAXBF-PM2	Dual layer peripheral device mounting plate for Wallmate 32MAXBF
RPWM-32MAXBF-PMFLX-1	Peripheral device mounting plate, Wallmate 32MAXBF for Crestron Flex systems
RPWM-32MAXBF-PMFLX2-1	Dual layer peripheral device mounting plate, Wallmate 32MAXBF for Crestron Flex systems
RPWM-32MAXB-BZL#	Wallmate 32MAXB deep trim
RPWM-32MAXB-CVR	Blank back box cover plate for Wallmate 32MAXB series
RPWM-LOCK-S	Wallmate Slim x-arm lock Kit
RPWM-TOUCH-S	Wallmate Slim x-arm touch kit
RPWM-TILT	Wallmate B tilt brackets
RPWM-EUPWR	European power adapter plate
RPWM-SPCR-(S, M, L or OFFSET)	Pair of spacers for Wallmate x-arms (small, medium, large, or custom)
RPWM-AUXBOX	Auxiliary box

RPWM-UNV64-C#	VESA converter
RPWM-UC-BRKT5	UC bracket for Slim x-arms
RPWM-UC-SPK-(A, B, or L/R)	Wallmate (above, below, or left/right) display loudspeaker mount kit for Universal mount
RPWM-UC-TNV-KCAM	TNV plate mounting kit for Wallmate 32/32MAX systems
Kits	Description
RPWM-32MAXBF-XMS-UNV	Universal Mount - Pull out Wallmate 32MAXBF kit
RPWM-32MAXBF-XMS-ADA-HVSBL	Flush close, large thin ADA shift mounting plate - Pull out Wallmate 32MAXBF kit
RPWM-32MAXBF-XMS-OFFSET	Thin offset plate - Pull out Wallmate 32MAXBF kit
RPWM-32MAXBF-XMS-ADA-LG110	Flush close kit for LG 110" LCD displays - Pull out Wallmate 32MAXBF

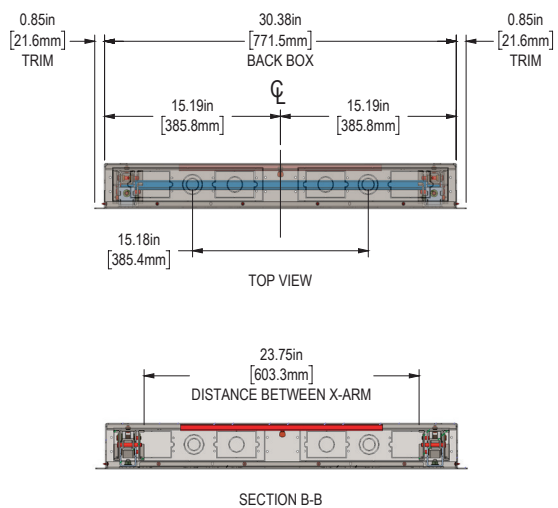
### FRONT VIEW



### SIDE VIEW (X-ARMS OPEN)



### BOTTOM VIEW



### SIDE VIEW (X-ARMS CLOSED)

