

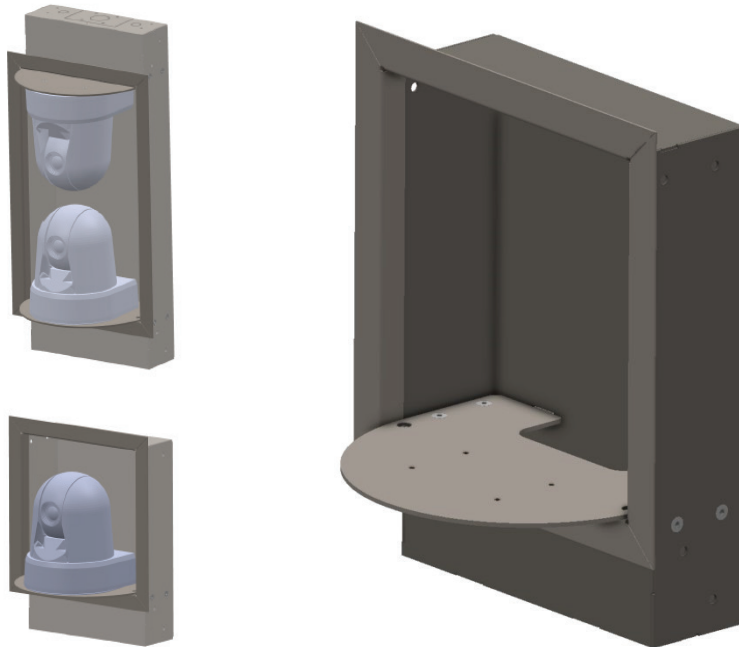
CAMERA BOX

Recessed Camera Mount

FOR SINGLE OR DUAL CAMERA PTZ CAMERAS

The recess camera box holds a single or dual set of PTZ cameras to be mounted with a reduced depth and clean appearance.

- 3.825" recess allows for reduced in room depth of PTZ cameras.
- Ultra clean appearance with single piece welded and ground bezel, recessed and flush screws and fastener, and cavity space for transmitters and cabling.
- Available in black, white powder coat, or primer finish for on site painting.



Separate in wall box allows for preinstall during dirty construction.

Removable device mount plates allows for camera flexibility and future replacements and model changes.

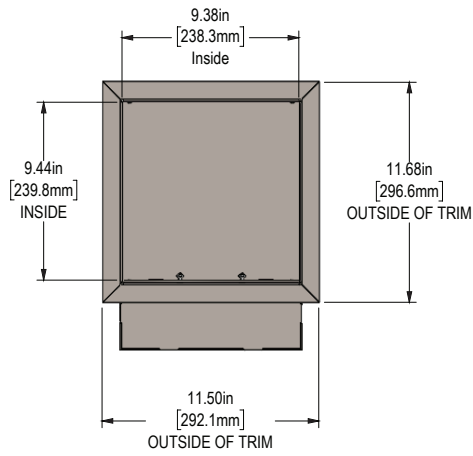
Rear storage area accommodates narrow single gang box/cover plate and conduit knock outs..

Expansion Kit Specification

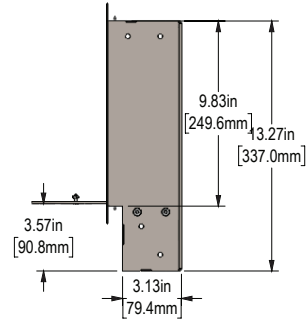
Capacity	1 or 2 camera units
Product Weight	16 lbs. single / 21 lbs. dual
Warranty	1 year
Camera Size	Varies (intended for all in one style PTZ cameras)
Knock Outs	1 gang with 1.25" conduit knock out, and two 0.75"
Single - Box Size (Overall)	9.7"w x 13.3"h x 3.9"d
Single - Camera Space	9.38"w x 9.44"h x as required
Dual - Box Size (Overall)	9.7"w x 23.7"h x 3.9"d
Dual - Camera Space	9.38"w x 8.19"h x as required

Camera mounting plate made to order. Contact us for sizes outside the standard option.

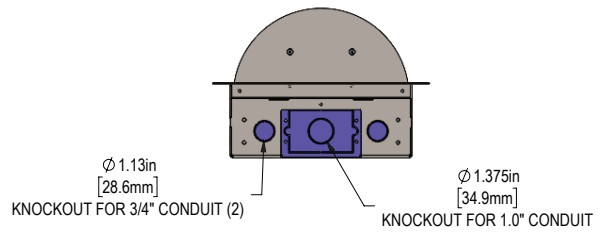
C-CU - REAR VIEW



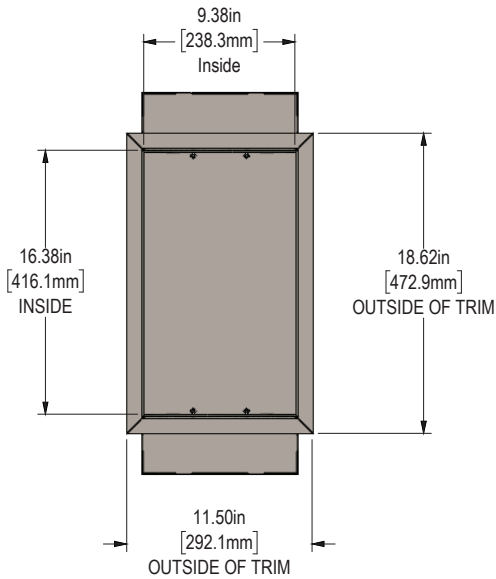
C-CU - SIDE VIEW (X-ARMS OPEN)



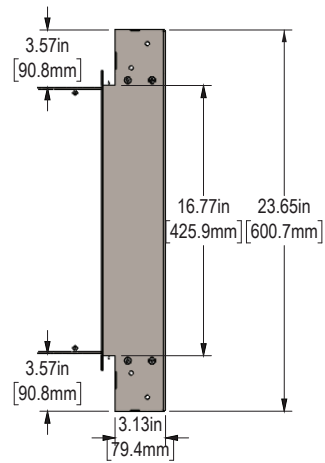
C-CU - TOP/BOTTOM VIEW



C-CU2 - REAR VIEW



C-CU2 - SIDE VIEW (X-ARMS OPEN)



C-CU2 - TOP/BOTTOM VIEW

