

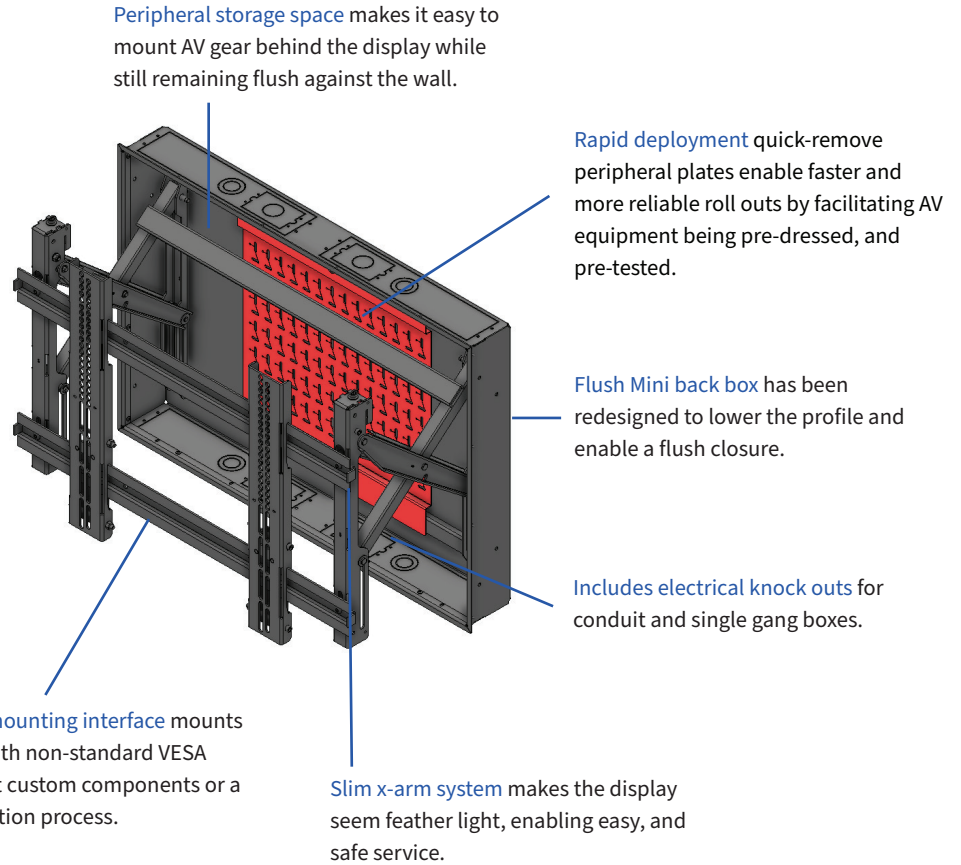
WALLMATE FLUSH MINI

Flush In-Wall Flat Panel Mounting System

FOR DISPLAYS UP TO 200 LBS

The Wallmate 32BFM with Universal mount is designed to hold smaller displays with the same internal peripheral device space as the Wallmate 32BF series, while maintaining the ultimate in display mount flexibility.

- Manufactured with 11 to 14-gauge steel to create a rigid mount that will remain stable and level.
- Installation only requires simple tools such as a drill, screwdriver, and Allen key.
- Thin wall to display profile helps achieve ADA compliance.



Wallmate 32BFM-XMS-UNVM Product Specifications

Stud Depth In Wall	3.5" or greater
Min. Landscape and Portrait Panel Size	43" L / 65" P
Max Recommended Display Size Dia. 16:9	75"*3
Max Display Size Dia. 21:9	82"
Max Display Thickness to Hit ADA	3.2"
X-arm Opening Distance (wall to back of display)	10.32"
X-arm Closed Distance (wall to back of display)	0.8"
Horizontal Shift	+/- 13.0" H
Vertical Shift	+/- 9.6" V
Rotation of Display	0-6.5mm height adjust per VESA location
X-arm Plumb Alignment	-1.03° to 0°
Display Weight Capacity	200 lbs.
Internal Mount Space X-arm (WxHxD)	23.75" x 10.5" x 3.47"
Peripheral Plate Dim (WxHxD inches)	16.5" x 17.5" x 0.5"

Box External Dimensions – No Trim (WxHxD)	30.38" x 21.15" x 3.81"
Box & Trim External Dimensions (WxHxD)	32.1" x 21.9" x 3.9"
Plate Attach Pattern to X-arm (WxH)	26.5" x 11"
Default VESA Pattern Width	200-600
Default VESA Pattern Height	200-400
Max Horizontal or Vertical	600 x 400
1-Gang Box Positions (top and bottom)	2 each
Conduit Knock Outs (top)	4 (qty. 2 x 1", qty. 2 x combo 0.75"/1.25")
Conduit Knock Outs (bottom)	4 (qty. 2 x 1", qty. 2 x combo 0.75"/1.25")
AUX Tray Position	2
1" Metal Multi-Piece Trim	0.5" Trim Included with back box
System Weight	64.8 lbs.

Wallmate 32BFM-XMS-UNVM Model Numbers

Wallmate RPWM-32BFM-XMS-UNVM Kit with Universal Mounting Plate (as shown in images)

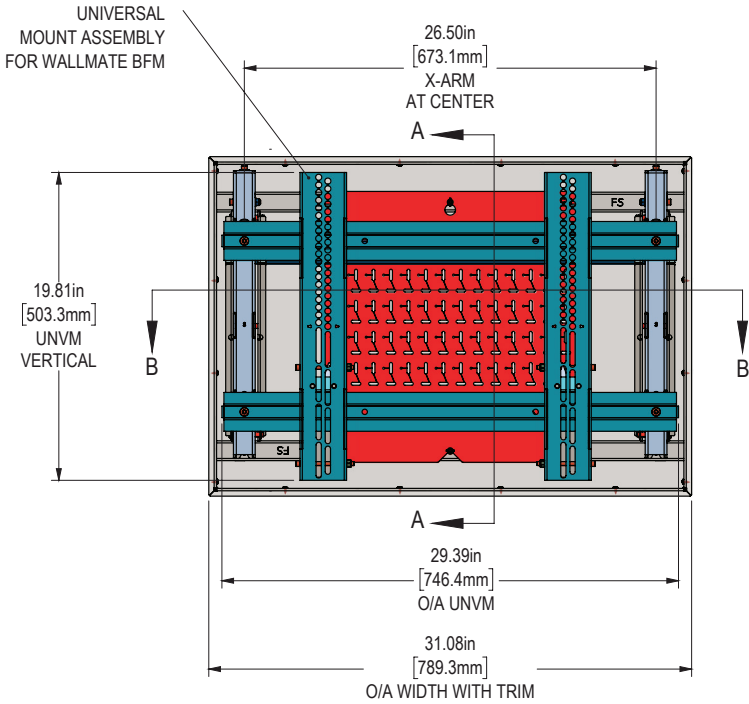
Part Number	Description	Typical Purchaser
RPWM-32BFM-XMS-UNVM	Wallmate 32BFM system, includes Mini back box, peripheral plate, box trim bezel, Slim x-arm, and Universal mini mount. Closes to 0.8" from wall. 200 lbs. capacity.	Integrator
RPWM-32BFM-BOX-KIT	Metal back box for Wallmate 32BFM system. Includes Mini back box, peripheral plate and trim bezel. Integrated mounting points, 4 single gang box knock outs, 4 multi size conduit knock outs, two knock outs for bottom auxiliary tray. Mounts direct to 14 studs. 200 lbs. capacity. X-arm and interface sold separately.	General or electrical contractors (Split scope part 1 of 2)
RPWM-32BFM-XMS-UNVM-NB	Wallmate 32BFM system, includes Slim x-arm, and Universal mini mount. Closes to 1.49" from wall. 200 lbs. capacity. Back box kit sold separately.	Integrator (Split scope part 2 of 2)

Additional Wallmate 32BFM Accessories and Kits

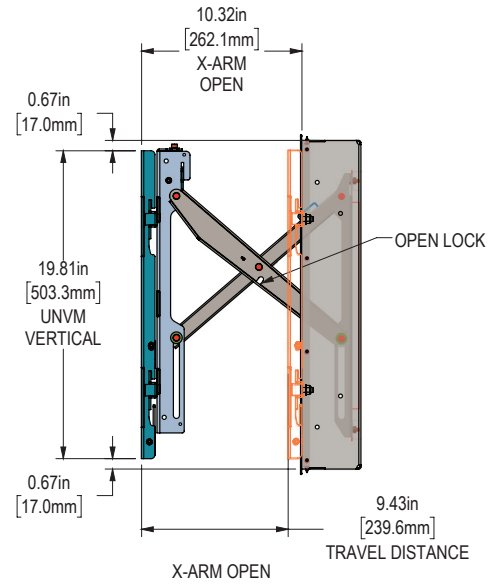
Part Number	Description
RPWM-UNV-33	Universal mount assembly for small displays
RPWM-UNV-64	Universal mount assembly
RPWM-32BFM-BZL#	Wallmate 32BFM deep trim
RPWM-32BFM-CVR	Blank back box cover plate for Wallmate 32BFM series
RPWM-TILT	Wallmate B tilt brackets
RPWM-EUPWR	European power adapter plate
RPWM-SPCR-(S, M, L or OFFSET)	Pair of spacers for Wallmate x-arms (small, medium, large, or custom)
RPWM-AUXBOX	Auxiliary box
RPWM-UNV64-C#	VESA converter
RPWM-UC-BRKTS	UC bracket for Slim x-arms
RPWM-UC-SPK-(A, B, or L/R)	Wallmate (above, below, or left/right) display loudspeaker mount kit for Universal mount
RPWM-UC-UNVS-KCAM	Universal mount camera kit. Call for matching number.

Kits	Description
RPWM-32BFM-XMS-ADA	Flush close, thin offset plate - Pull out Wallmate 16BF kit

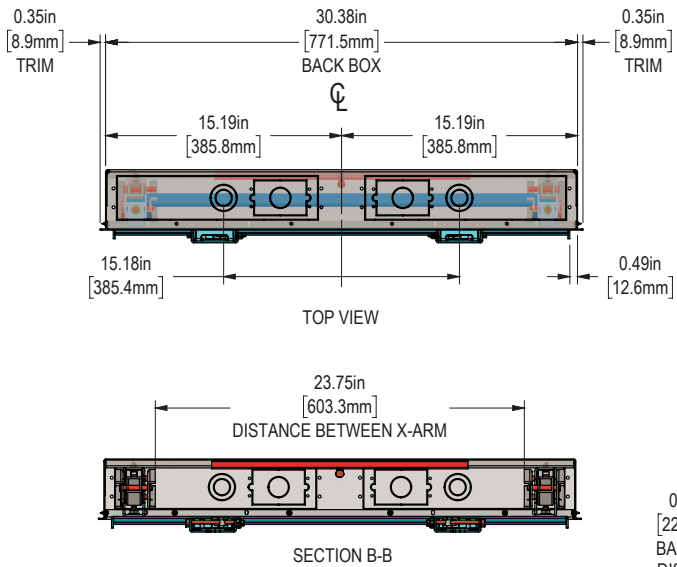
FRONT VIEW



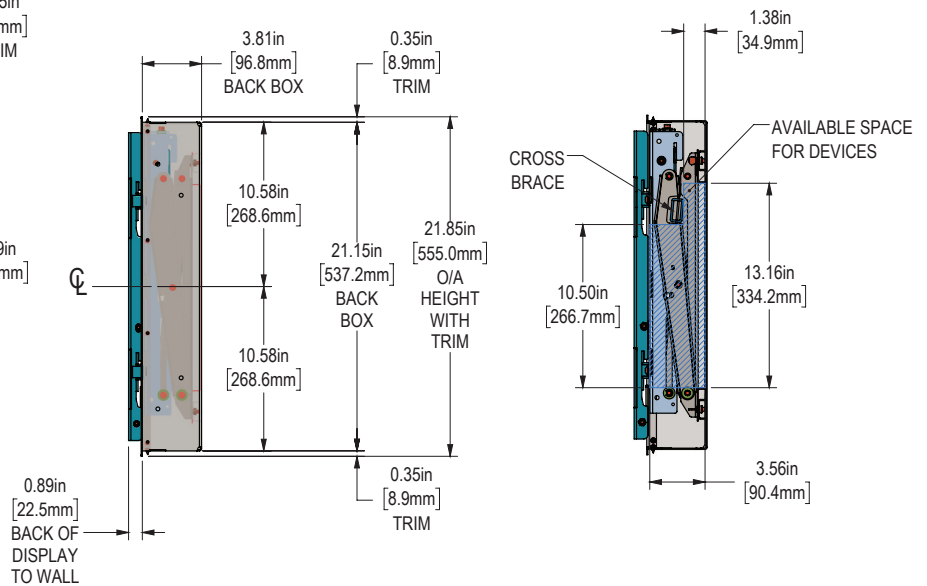
SIDE VIEW (X-ARMS OPEN)



TOP VIEW



SIDE VIEW (X-ARMS CLOSED)



*3: Larger display sizes are possible but may impede access to the peripheral mounting plate.

CONTACT US

rpvisuals.com/wallmate
info@rpvisuals.com
(714) 991-6400

