

This drawing contains proprietary information owned or controlled by RPVisual Solutions and must not be used or disclosed without prior written authorization

DIMENSIONS ARE IN INCHES  
TOLERANCES ARE:  
FRACTIONS: X/X : ± 1/32  
DECIMALS: .XX : ± .03  
          .XXX : ± .010  
ANGLES: X : ± .5  
          .XX : ± .20

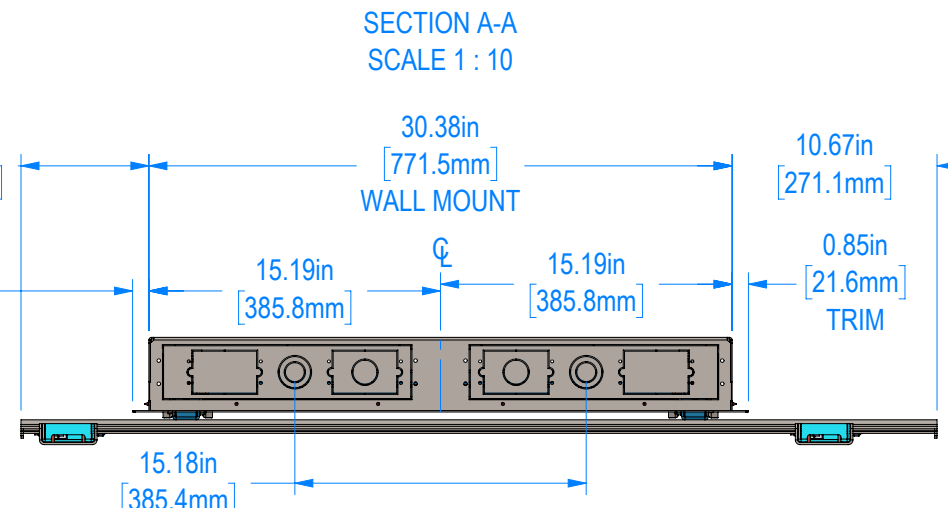
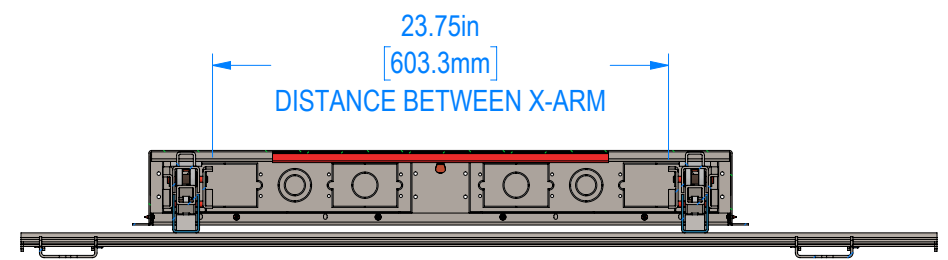
**APPROVED FOR FABRICATION**

SIGNATURE: \_\_\_\_\_

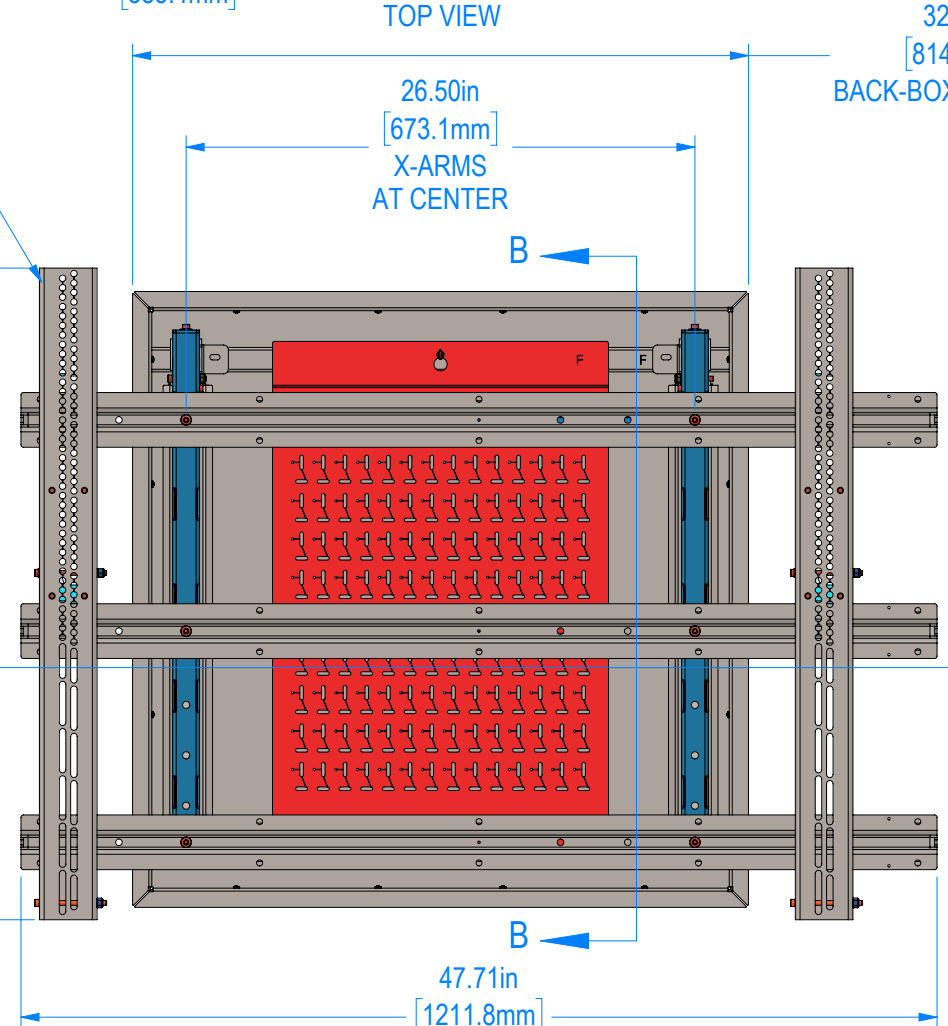
DATE: \_\_\_\_\_

NOTES:

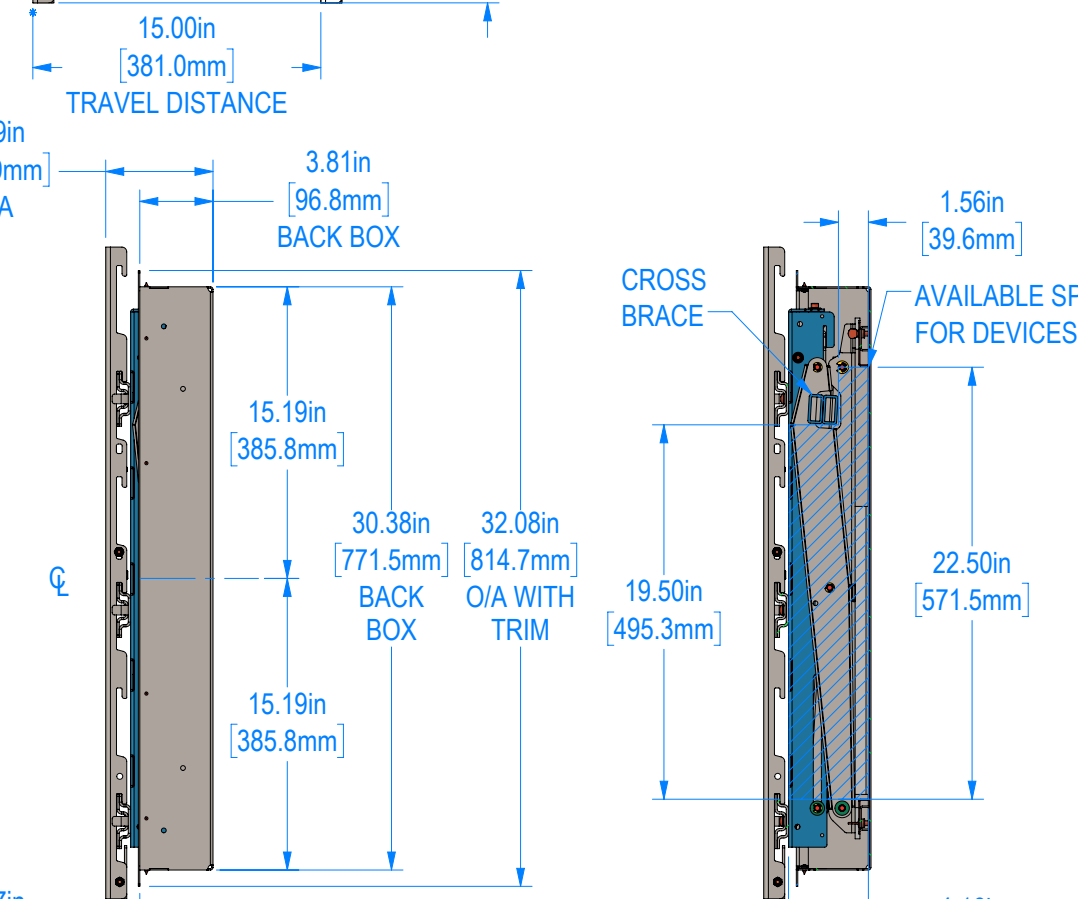
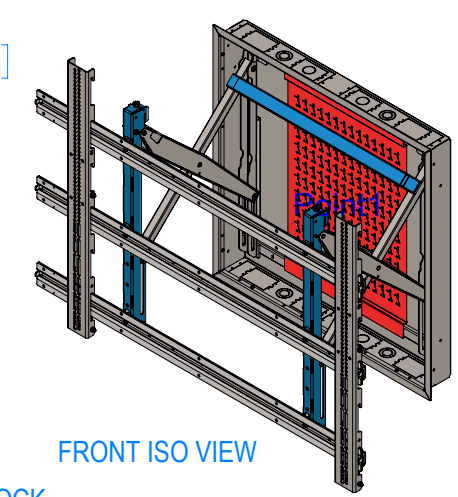
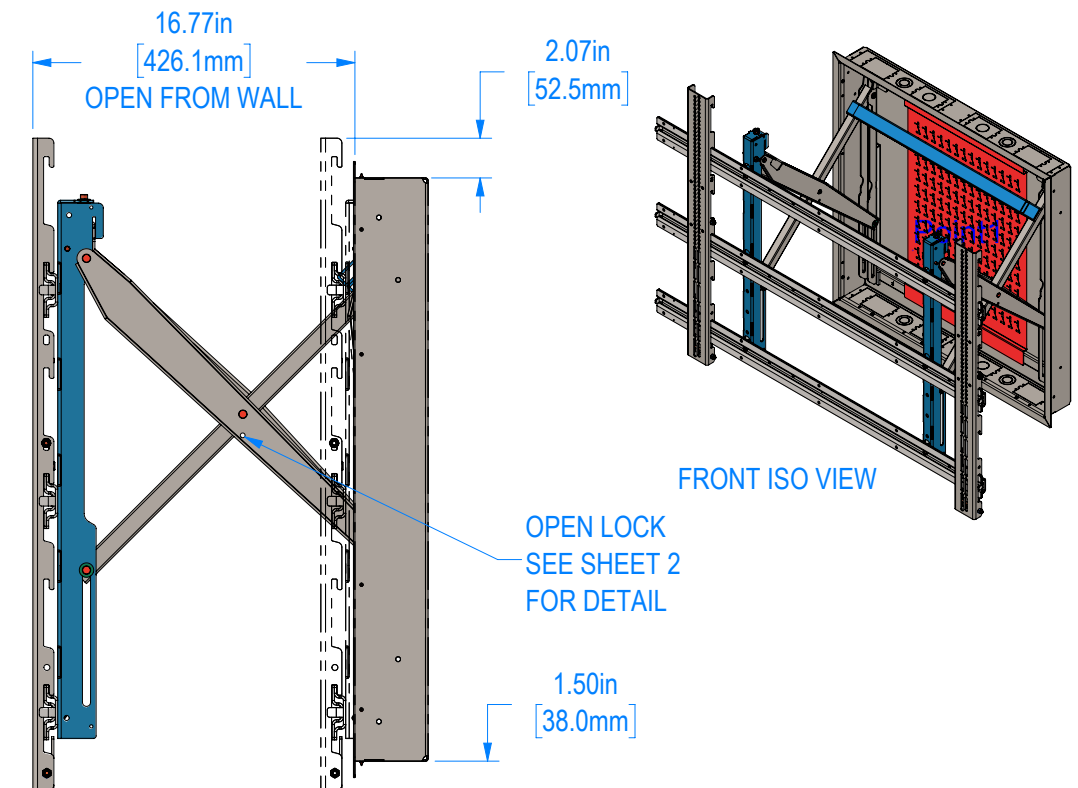
1. FINISH: SEMI-GLOSS BLACK POWDER COAT
2. APPROXIMATE WEIGHT: 129 LBS



UNV-106 ADAPTER  
SEE SHEET 4 & 5 FOR  
DETAIL



- NOTES:
1. MAX DISPLAY WEIGHT LOAD 425 LBS (103 KG)
  2. VESA WIDTH: MIN: 300W, MAX 1000W
  3. VESA HEIGHT: MIN: 200H, MAX 800H



G			
F			
E			
C			
B			
A			
REV:	DESCRIPTION:	BY:	DATE:
DEALER:			

PROJECT: \_\_\_\_\_

SKU: RPWM-32MAXBF-XMR-UNV-106

PART NO: 0003-220-00

DESCRIPTION: Universal Mount - Pull Out  
Wallmate 32MAXBF kit

SIZE: B DATE: 04/13/2026 DRAWN: CAN CHECKED: XX

DWG. ID: RPWM-32MAXBF-XMR-UNV-106.1

JOB NO: \_\_\_\_\_ SCALE: 1:1  
SHEET: 1 OF 6 REVISION: \_\_\_\_\_

This drawing contains proprietary information owned or controlled by RPVisual Solutions and must not be used or disclosed without prior written authorization

*DIMENSIONS ARE IN INCHES*  
TOLERANCES ARE:  
FRACTIONS DECIMALS ANGLES  
X/X : ± 1/32 .XX : ± .03 .X : ± .5  
.XXX : ± .010 .XX : ± .20

**APPROVED FOR FABRICATION**

SIGNATURE: \_\_\_\_\_

DATE: \_\_\_\_\_

NOTES:

1. FINISH: SEMI-GLOSS BLACK POWDER COAT
2. APPROXIMATE WEIGHT: 129 LBS

G			
F			
E			
C			
B			
A			

REV: DESCRIPTION: BY: DATE:

DEALER: \_\_\_\_\_

PROJECT: \_\_\_\_\_

SKU: RPWM-32MAXBF-XMR-UNV-106

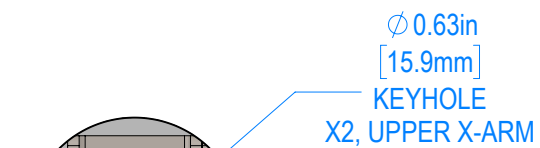
PART NO: 0003-220-00

DESCRIPTION: Universal Mount - Pull Out  
Wallmate 32MAXBF kit

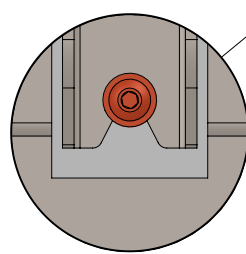
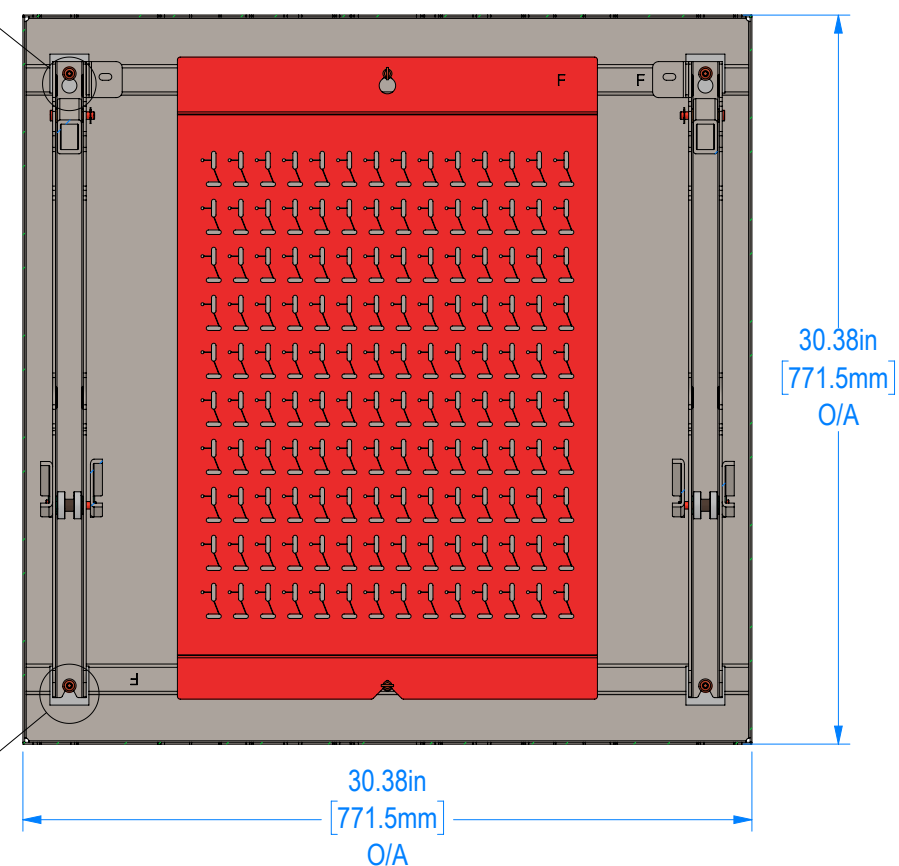
SIZE: B	DATE: 04/13/2026	DRAWN: CAN	CHECKED: XX
---------	------------------	------------	-------------

DWG. ID: RPWM-32MAXBF-XMR-UNV-106.2

JOB NO:	SCALE: 1:1	REVISION:
	SHEET: 2 OF 6	

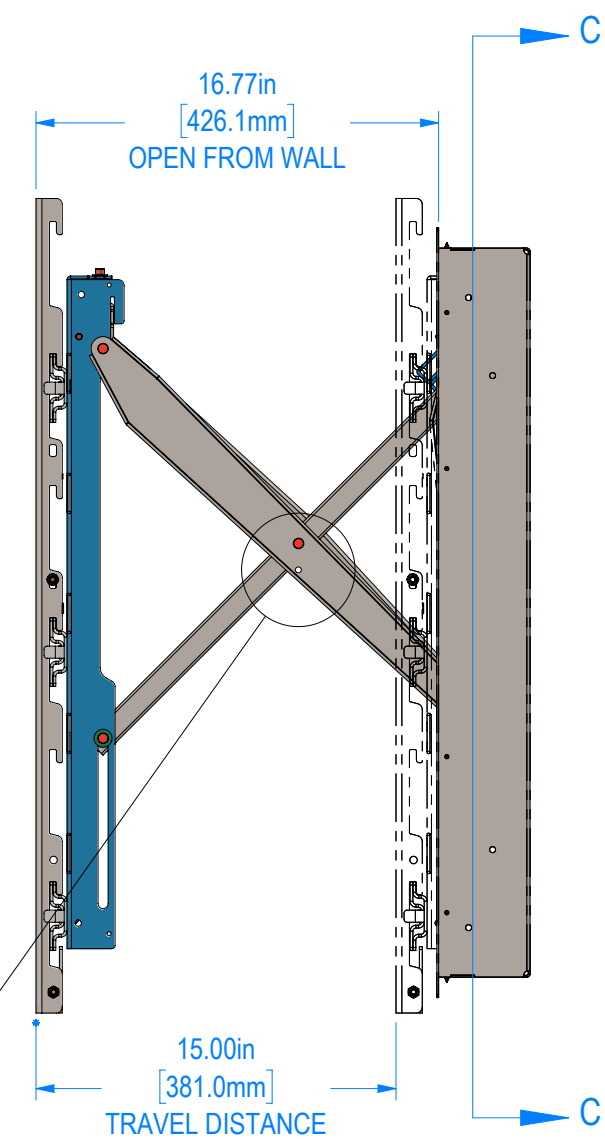
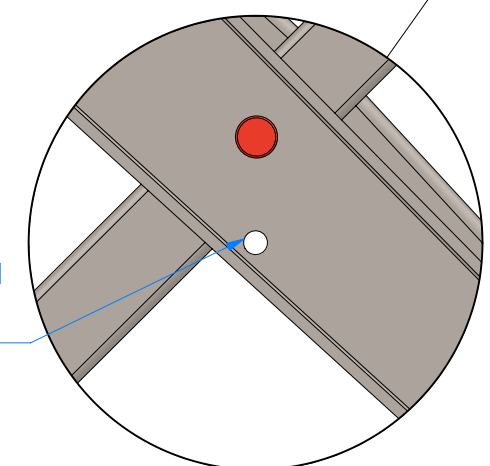


Ø 0.63in  
[15.9mm]  
KEYHOLE  
X2, UPPER X-ARM



SECTION C-C  
SCALE 1:8

USE THIS LOCATION  
TO LOCK X-ARM  
IN OPEN POSITION



This drawing contains proprietary information owned or controlled by RPVisual Solutions and must not be used or disclosed without prior written authorization

DIMENSIONS ARE IN INCHES  
TOLERANCES ARE:

FRACTIONS	DECIMALS	ANGLES
X/X : ± 1/32	.XX : ± .03 .XXX : ± .010	.X : ± .5 .XX : ± .20

**APPROVED FOR FABRICATION**

SIGNATURE: \_\_\_\_\_

DATE: \_\_\_\_\_

NOTES:

1. FINISH: SEMI-GLOSS BLACK POWDER COAT
2. APPROXIMATE WEIGHT: 129 LBS

G			
F			
E			
C			
B			
A			

REV: DESCRIPTION: BY: DATE:

DEALER: \_\_\_\_\_

PROJECT: \_\_\_\_\_

SKU: RPWM-32MAXBF-XMR-UNV-106

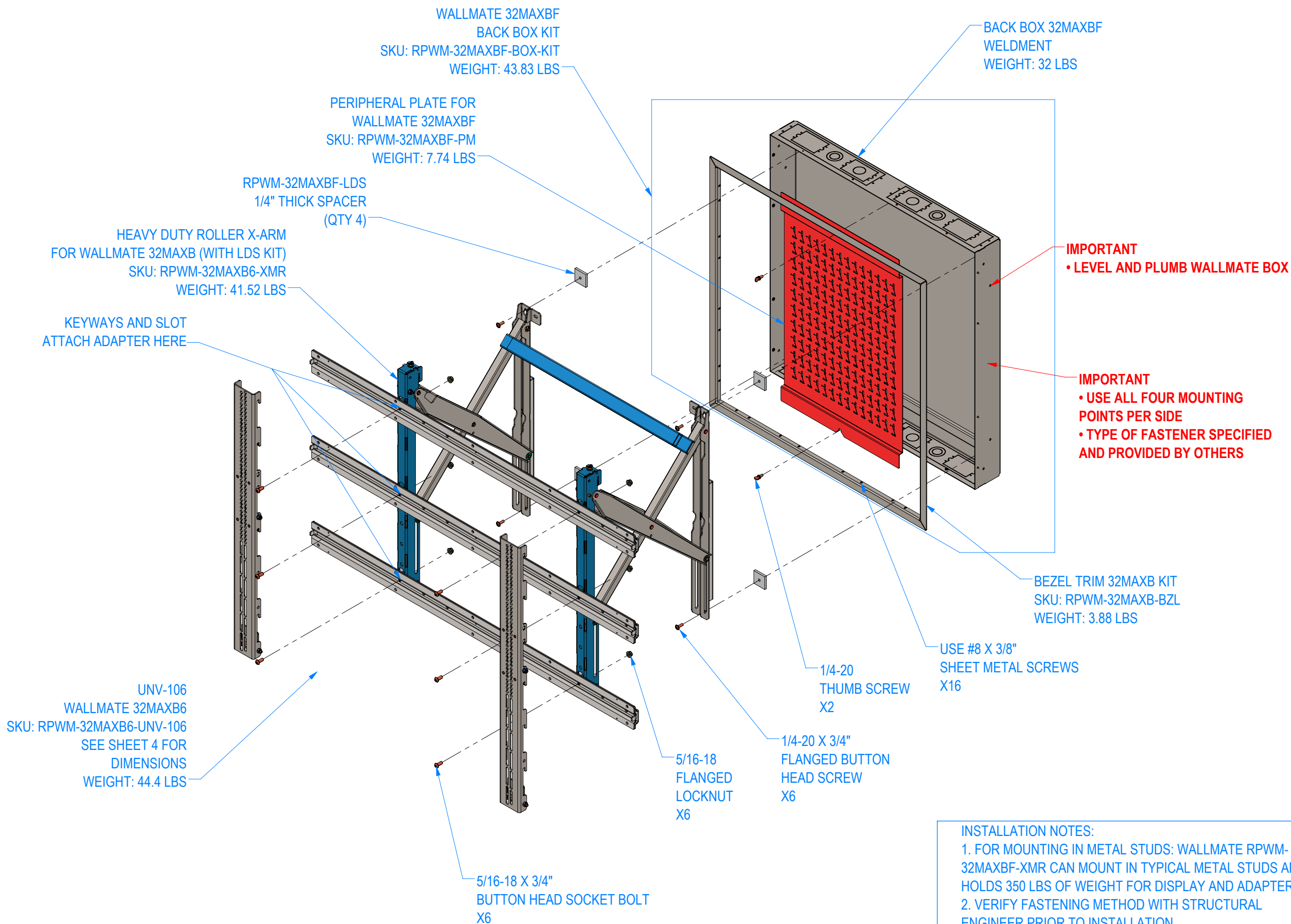
PART NO: 0003-220-00

DESCRIPTION: Universal Mount - Pull Out  
Wallmate 32MAXBF kit

SIZE: B	DATE: 04/13/2026	DRAWN: CAN	CHECKED: XX
---------	------------------	------------	-------------

DWG. ID: RPWM-32MAXBF-XMR-UNV-106.3

JOB NO:	SCALE: 1:1	REVISION:
	SHEET: 3 OF 6	



**INSTALLATION NOTES:**

1. FOR MOUNTING IN METAL STUDS: WALLMATE RPWM-32MAXBF-XMR CAN MOUNT IN TYPICAL METAL STUDS AND HOLDS 350 LBS OF WEIGHT FOR DISPLAY AND ADAPTER
2. VERIFY FASTENING METHOD WITH STRUCTURAL ENGINEER PRIOR TO INSTALLATION
3. VERIFY WALL STRENGTH WITH STRUCTURAL ENGINEER. (COG DRAWINGS AVAILABLE UPON REQUEST.)
4. USE ALL FASTENING POINTS ON BOTH SIDES OF BOX

**NOTE TO CONTRACTOR:**  
 USE SUPPLIED HARDWARE WITH CAUTION:  
 - SCREWS CAN EXCEED DISPLAY INSERT LENGTH  
 - VERIFY INSERT LENGTH WITH DISPLAY  
 MANUFACTURER PRIOR TO USE

DISPLAY MOUNTING HARDWARE PROVIDED BY RPV:  
 QTY: 4 / UNIT - M6 X 16mm FLANGED SBHCS ALLOY  
 QTY: 4 / UNIT - M8 X 16mm, M8 X 20mm FLANGED SBHCS ALLOY  
 QTY: 4 / UNIT - M8 X 40mm SBHCS ALLOY  
 QTY: 4 / UNIT - 5/16" ID X 3/4" OD FLAT WASHER

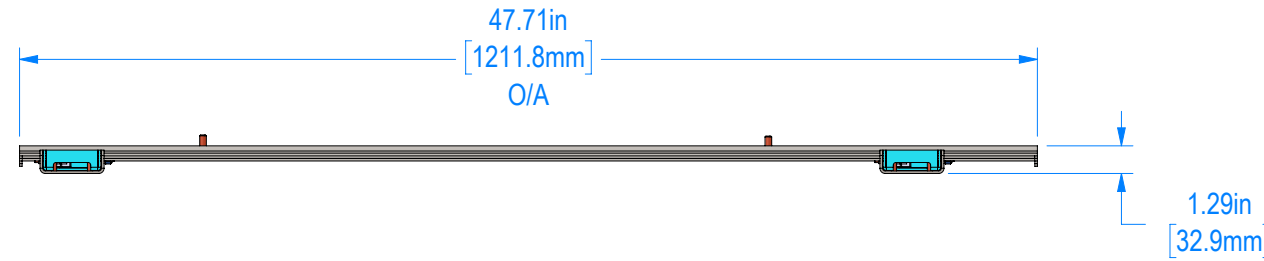
This drawing contains proprietary information owned or controlled by RPVisual Solutions and must not be used or disclosed without prior written authorization

DIMENSIONS ARE IN INCHES  
 TOLERANCES ARE:  
 FRACTIONS DECIMALS ANGLES  
 X/X : ± 1/32 .XX : ± .03 .X : ± .5  
 .XXX : ± .010 .XX : ± .20

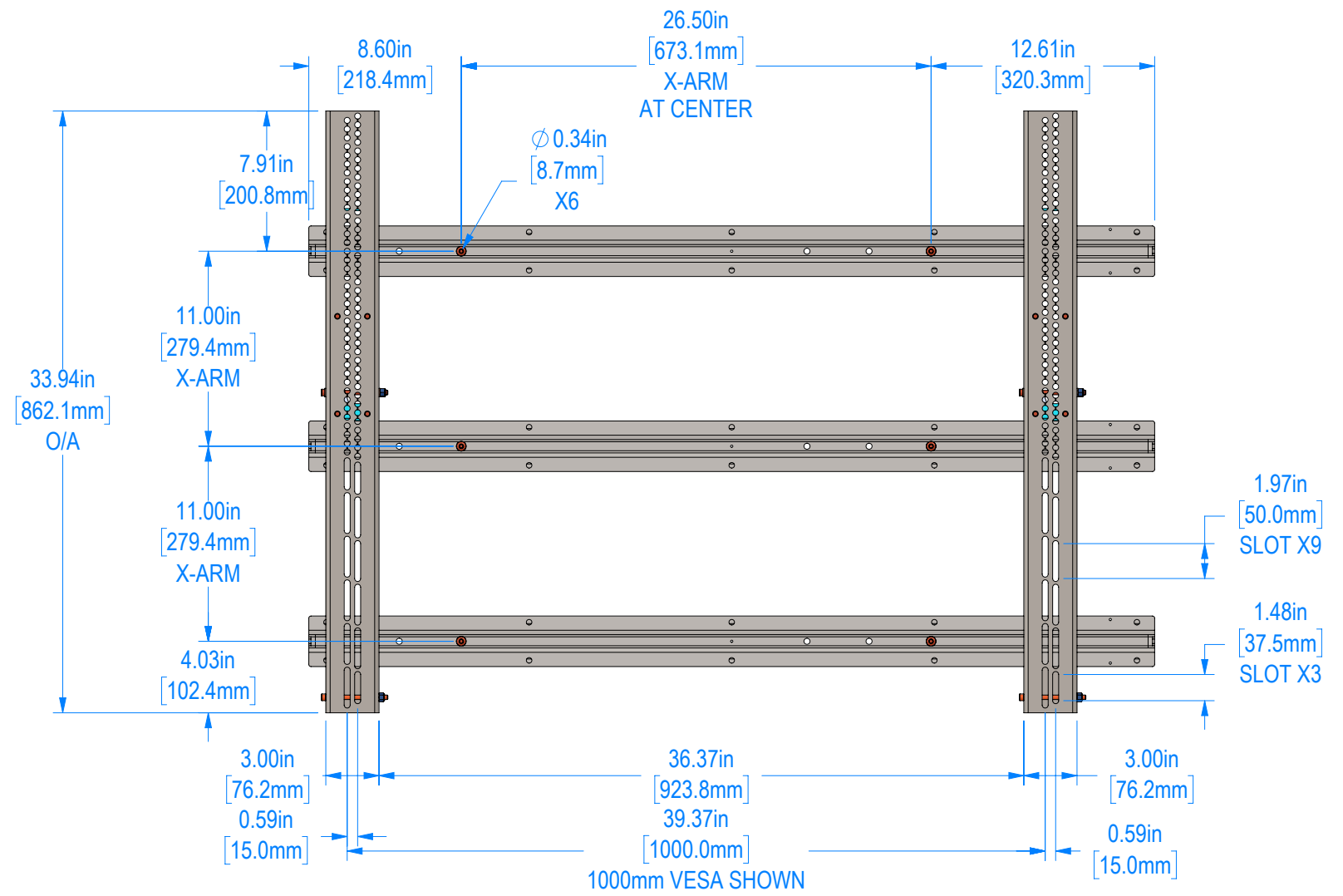
**APPROVED FOR FABRICATION**  
 SIGNATURE:

DATE:

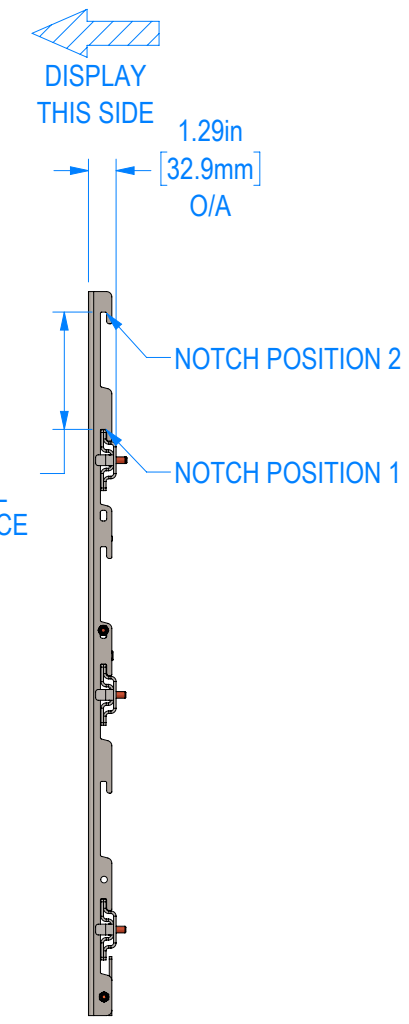
NOTES:  
 1. FINISH: SEMI-GLOSS BLACK POWDER COAT  
 2. APPROXIMATE WEIGHT: 44 LBS



TOP VIEW



FRONT VIEW



SIDE VIEW

**NOTE:**  
 NOTCH POSITION 1 SHOWN, SEE SHEET 4 FOR NOTCH POSITION 2

G			
F			
E			
C			
B			
A			
REV:	DESCRIPTION:	BY:	DATE:

DEALER:

PROJECT:

SKU: RPWM-XMR-UNV-106

PART NO: 00084-001\_01-00A

DESCRIPTION:  
 Wallmate B6-XMR-UNV-106  
 Universal Mount

SIZE: B	DATE: 04/13/2026	DRAWN: CAN	CHECKED: XX
---------	------------------	------------	-------------

DWG. ID: RPWM-32MAXBF-XMR-UNV-106.4

JOB NO:	SCALE: 1:1	REVISION: A
	SHEET: 4 OF 6	



