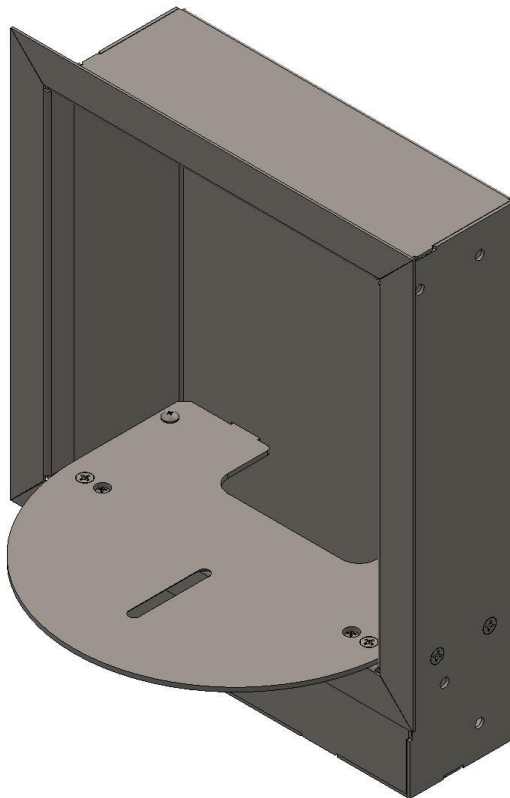


CAMERA BOX

Recessed Camera Mount FOR SINGLE CAMERA PTX CAMERAS

The recess camera box holds a single PTZ camera to be mounted with a reduced depth and clean appearance.

- 3.825" recess allows for reduced in room depth of PTZ cameras.
- Ultra clean appearance with single piece bezel, recessed and flush screws and fastener, and cavity space for transmitters and cabling.
- Available in black/white powder coat, or primer finish for on site painting.



Removable device mount plates allows for camera flexibility and future replacements and model changes.

Orientation: able to be install upright or inverted.

Rear storage area accommodates narrow single gang box/cover plate and conduit knock outs.

Separate in wall box allows for preinstall during dirty construction.

Wallmate C-CU Product Specifications

Product Weight	10 lbs.
Warranty	1 year
Knock Outs	1 gang with 1.25" conduit knock out, and two 0.75"
Box Size (Overall)	9.7"w x 13.3"h x 3.9"d
Camera Space	9.38"w x 9.44"h x as required
Camera Mounting Plate	Included (made to order)

Camera mounting plate made to order. Contact us for sizes outside the standard option.

Wallmate C-CU-WH Model Numbers

Wallmate RPWM-C-CU-WH Kit with Universal Mounting Plate (as shown in images)

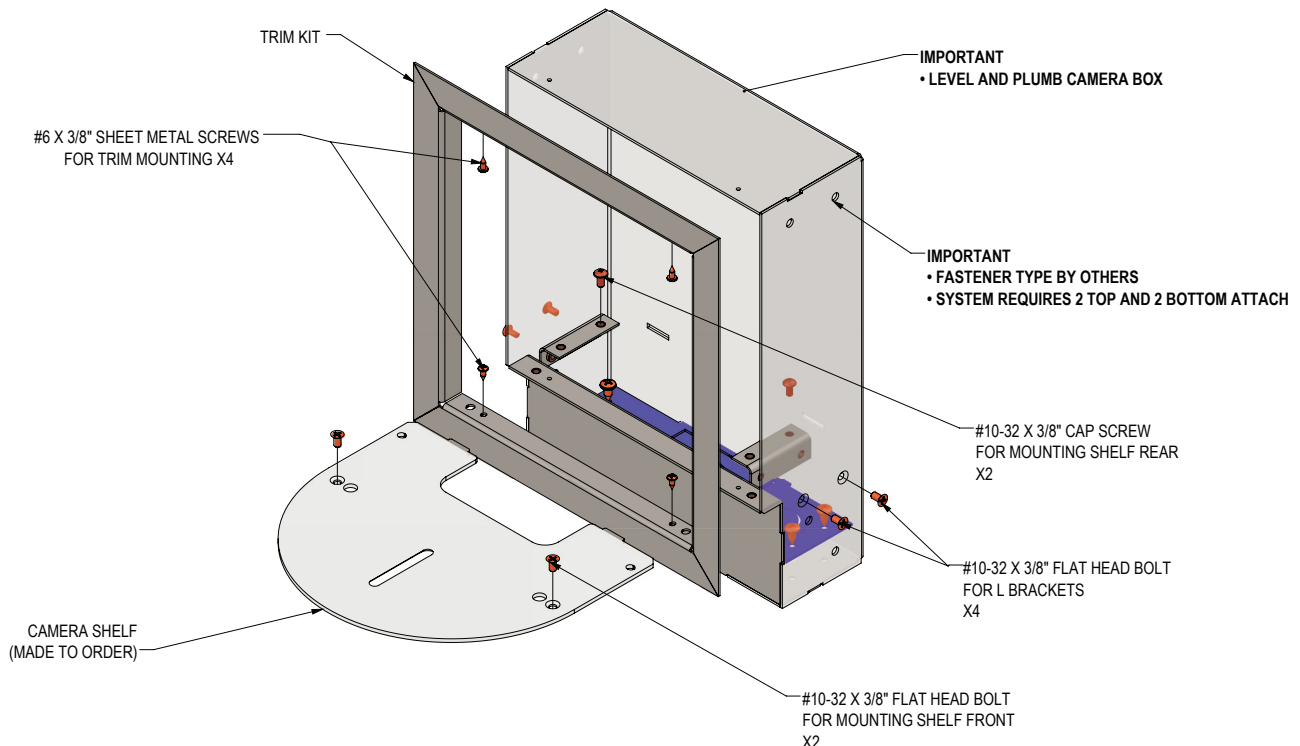
Part Number	Description	Typical Purchaser
RPWM-C-CU-WH	In wall PTZ camera mount system for single PTZ camera includes trim, in wall box, single gang box insert, and camera shelf. Has 1 single gang knock out, 1x 1" knock out, and dual 3/4" knock outs in the top and bottom.. -WHITE	Integrator
RPWM-C-CU-BOX-KIT-WH	In wall PTZ camera box kit for single PTZ camera includes trim, in wall box, and box single gang insert. Has 1 single gang knock out, 1x 1" knock out, and dual 3/4" knock outs in the top and bottom. Requires camera plate sold separately - WHITE	General or electrical contractors (Split scope part 1 of 2)
RPWM-C-CU-PLATE-WH	Camera mounting plate for in wall PTZ single C-CU, C-CU2, and C-CU2H camera mount systems - WHITE	Integrator (Split scope part 2 of 2)

Wallmate C-CU-BK Model Numbers

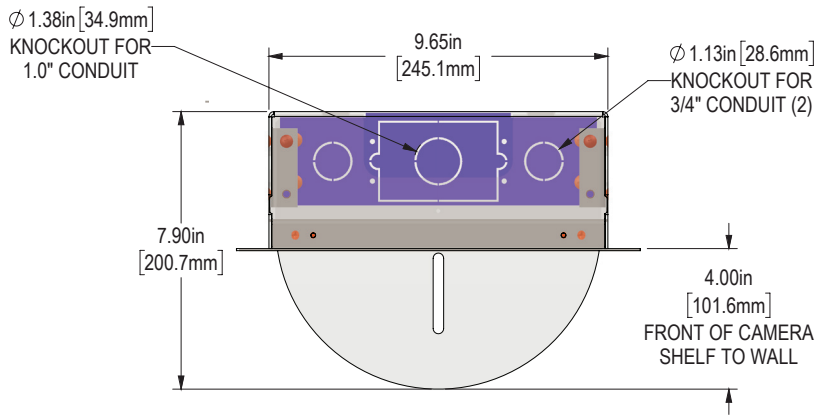
Wallmate RPWM-C-CU-BK Kit with Universal Mounting Plate (as shown in images)

Part Number	Description	Typical Purchaser
RPWM-C-CU-BK	In wall PTZ camera mount system for single PTZ camera includes trim, in wall box, single gang box insert, and camera shelf. Has 1 single gang knock out, 1x 1" knock out, and dual 3/4" knock outs in the top and bottom. - BLACK	Integrator
RPWM-C-CU-BOX-KIT-BK	In wall PTZ camera box kit for single PTZ camera includes trim, in wall box, and box single gang insert. Has 1 single gang knock out, 1x 1" knock out, and dual 3/4" knock outs in the top and bottom. Requires camera plate sold separately - BLACK	General or electrical contractors (Split scope part 1 of 2)
RPWM-C-CU-PLATE-BK	Camera mounting plate for in wall PTZ single C-CU, C-CU2, and C-CU2H camera mount systems - BLACK	Integrator (Split scope part 2 of 2)

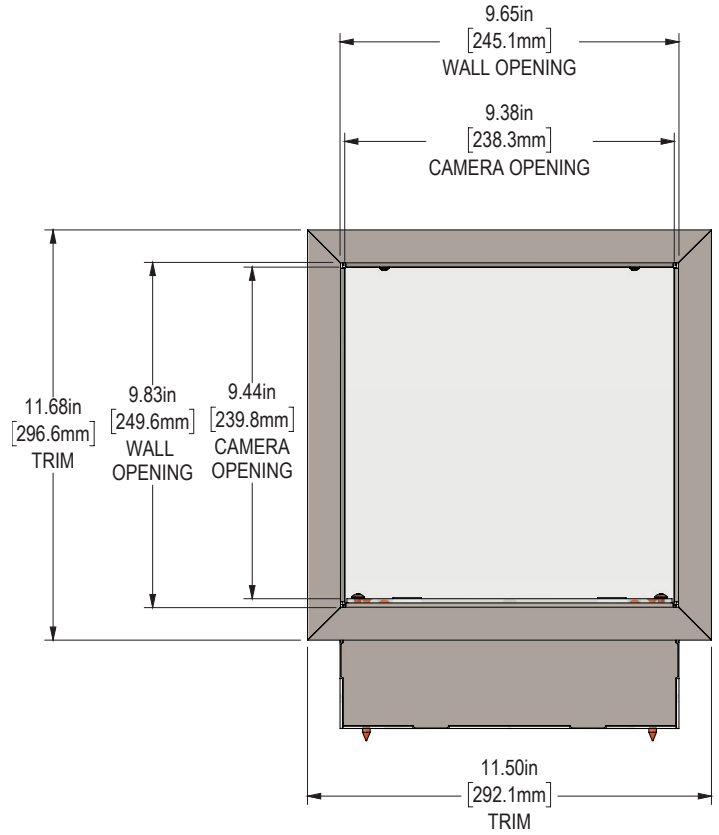
Inside the Camera box C-CU



BOTTOM VIEW



FRONT VIEW



SIDE VIEW

