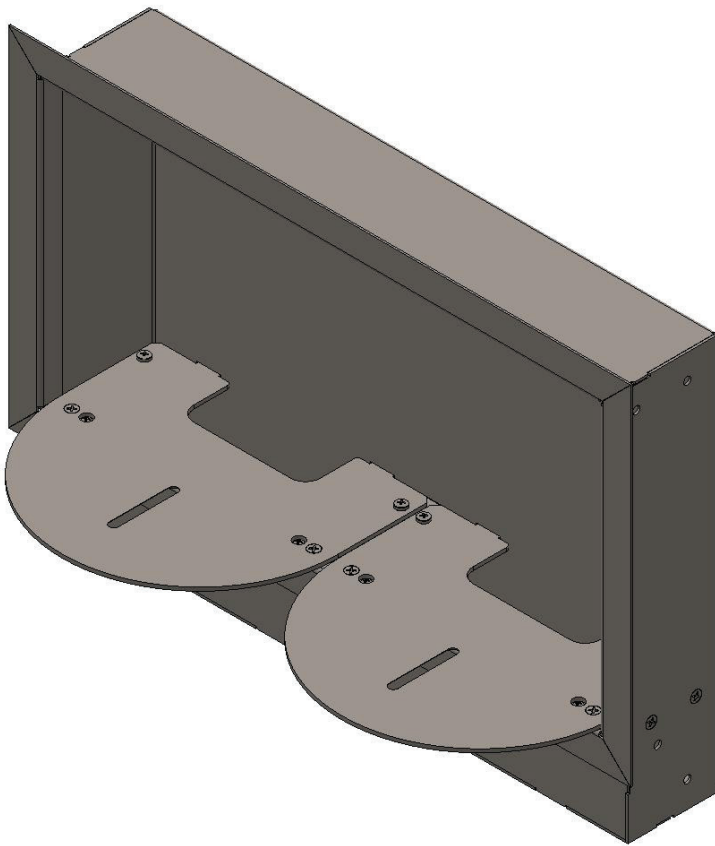


# CAMERA BOX

## Recessed Camera Mount FOR SIDE BY SIDE CAMERA PTZ CAMERAS

The recess camera box holds two PTZ cameras to be mounted with a reduced depth and clean appearance.

- 3.825" recess allows for reduced in room depth of PTZ cameras.
- Ultra clean appearance with single piece bezel, recessed and flush screws and fastener, and cavity space for transmitters and cabling.
- Available in black/white powder coat, or primer finish for on site painting.



[Separate in wall box](#) allows for preinstall during dirty construction.

[Removable device mount plates](#) allows for camera flexibility and future replacements and model changes.

[Orientation:](#) able to be install upright or inverted.

[Rear storage](#) area accommodates two narrow single gang box/cover plates, and six conduit knock outs.

## Expansion Kit Specification

Product Weight	18 lbs.
Warranty	1 year
Knock Outs	2 plates, each plate; two 0.75" conduit, one 1" conduit, and 1 gang knock outs
Box Size (Overall)	19.03"w x 13.27"h x 3.9"d
Camera Space	18.76"w x 9.44"h x as required
Camera Mounting Plate	Included (made to order)

Camera mounting plate made to order. Contact us for sizes outside the standard option.

## Wallmate C-CU2H-WH Model Numbers

Wallmate RPWM-C-CU2H-WH Kit with Universal Mounting Plate (as shown in images)

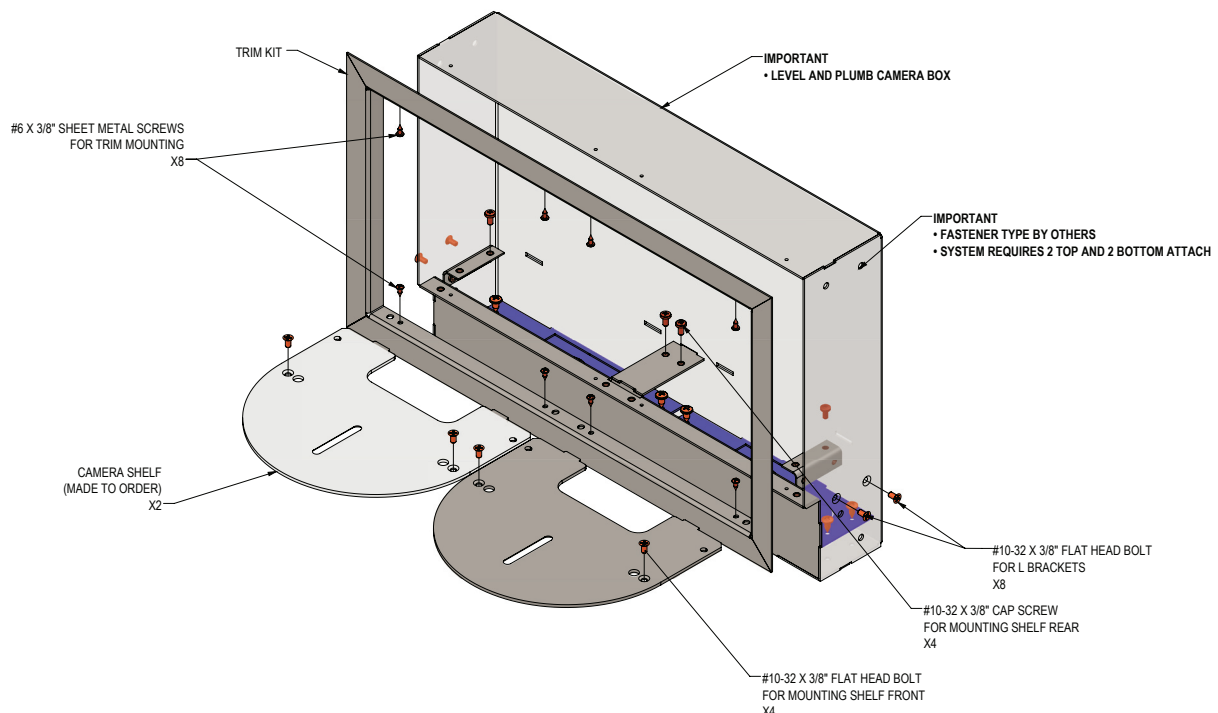
Part Number	Description	Typical Purchaser
RPWM-C-CU2H-WH	In wall PTZ camera mount system for side by side PTZ camera includes trim, in wall box, two single gang box inserts, and a pair of camera shelves. Has 2 single gang knock out, 2x 1" knock outs, and 4 x 3/4" knock outs in the bottom. - WHITE	Integrator
RPWM-C-CU2H-BOX-KIT-WH	In wall PTZ camera box kit for side by side PTZ cameras, includes trim, in wall box, and a pair of box inserts. Has 2 single gang knock out, 2x 1" knock outs, and 4 x 3/4" knock outs in the bottom. Requires camera plates sold separately - WHITE	General or electrical contractors (Split scope part 1 of 2)
RPWM-C-CU-PLATE-WH	Camera mounting plate for in wall PTZ single C-CU, C-CU2, and C-CU2H camera mount systems - WHITE	Integrator (Split scope part 2 of 2)

## Wallmate C-CU2H-BK Model Numbers

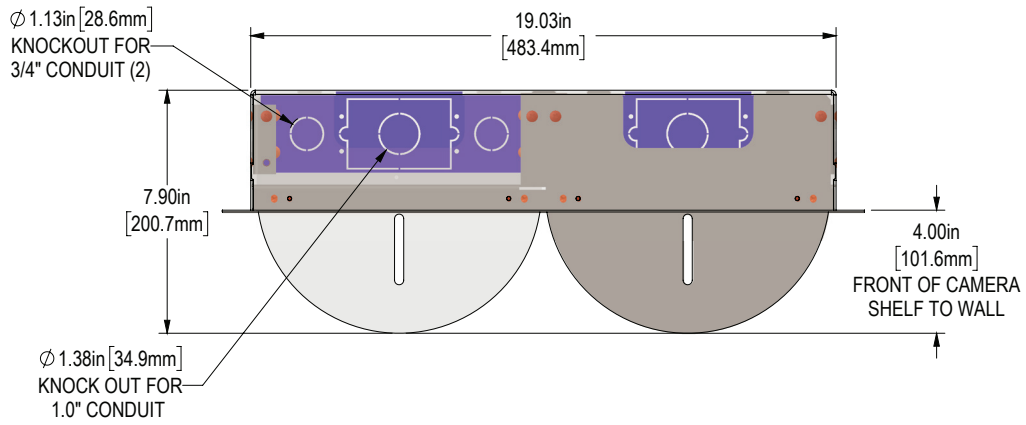
Wallmate RPWM-C-CU2H-BK Kit with Universal Mounting Plate (as shown in images)

Part Number	Description	Typical Purchaser
RPWM-C-CU2H-BK	In wall PTZ camera mount system for side by side PTZ camera includes trim, in wall box, two single gang box inserts, and a pair of camera shelves. Has 2 single gang knock out, 2x 1" knock outs, and 4 x 3/4" knock outs in the bottom. - BLACK	Integrator
RPWM-C-CU2H-BOX-KIT-BK	In wall PTZ camera box kit for side by side PTZ cameras, includes trim, in wall box, and a pair of box inserts. Has 2 single gang knock out, 2x 1" knock outs, and 4 x 3/4" knock outs in the bottom. Requires camera plates sold separately - BLACK	General or electrical contractors (Split scope part 1 of 2)
RPWM-C-CU-PLATE-BK	Camera mounting plate for in wall PTZ single C-CU, C-CU2, and C-CU2H camera mount systems - BLACK	Integrator (Split scope part 2 of 2)

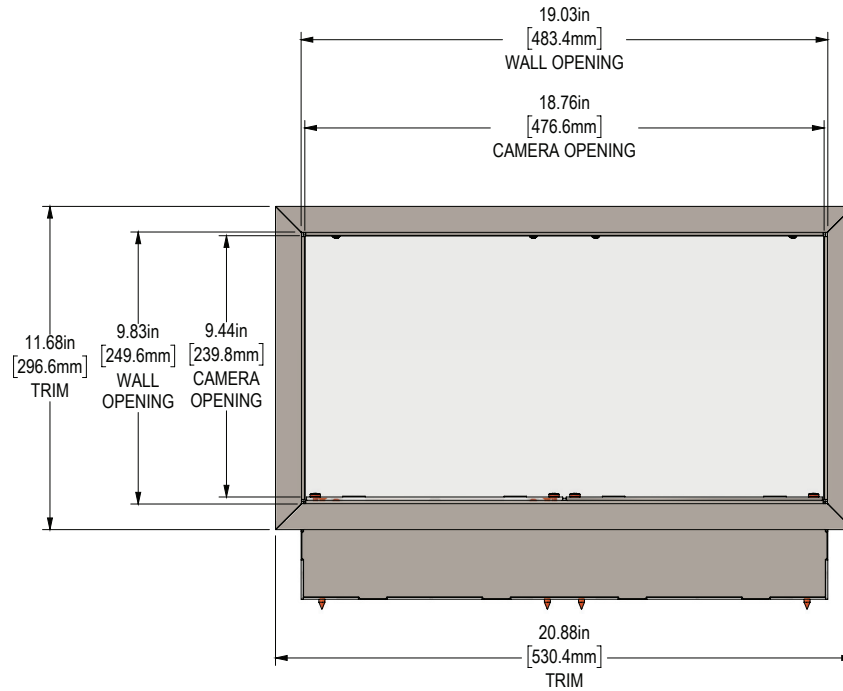
## Inside the Camera box C-CU2H



**BOTTOM VIEW**



**FRONT VIEW**



**SIDE VIEW**

