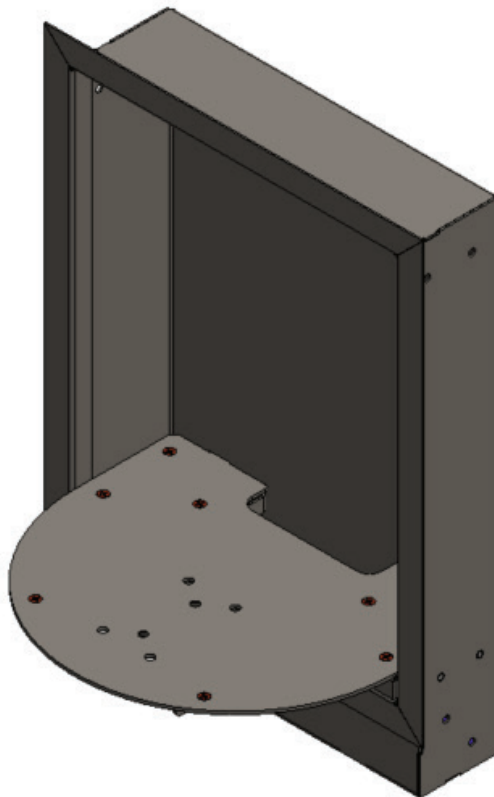


# CAMERA BOX

## Recessed Camera Mount FOR SINGLE LARGE CAMERA PTZ CAMERAS

The recess camera box holds a single PTZ camera to be mounted with a reduced depth and clean appearance.

- 3.825" recess allows for reduced in room depth of PTZ cameras.
- Ultra clean appearance with single piece bezel, recessed and flush screws and fastener, and cavity space for transmitters and cabling.
- Available in black/white powder coat, or primer finish for on site painting.



**Separate in wall box** allows for preinstall during dirty construction.

**Removable device mount plates** allows for camera flexibility and future replacements and model changes.

**Orientation:** able to be install upright or inverted.

**Oversized rear openings** accommodate two 1-gang box knockouts

## Expansion Kit Specification

Product Weight	17 lbs.
Warranty	1 year
Knock Outs	1 gang with 1.25" conduit knock out, and two 0.75"
Box Size (Overall)	12.7"w x 18.52"h x 3.9"d
Camera Space	12.43"w x 13.94"h x as required
Camera Mounting Plate	Included (made to order)

Camera mounting plate made to order. Contact us for sizes outside the standard option.

## Wallmate CL-CU-WH Model Numbers

Wallmate RPWM-CL-CU-WH Kit with Universal Mounting Plate (as shown in images)

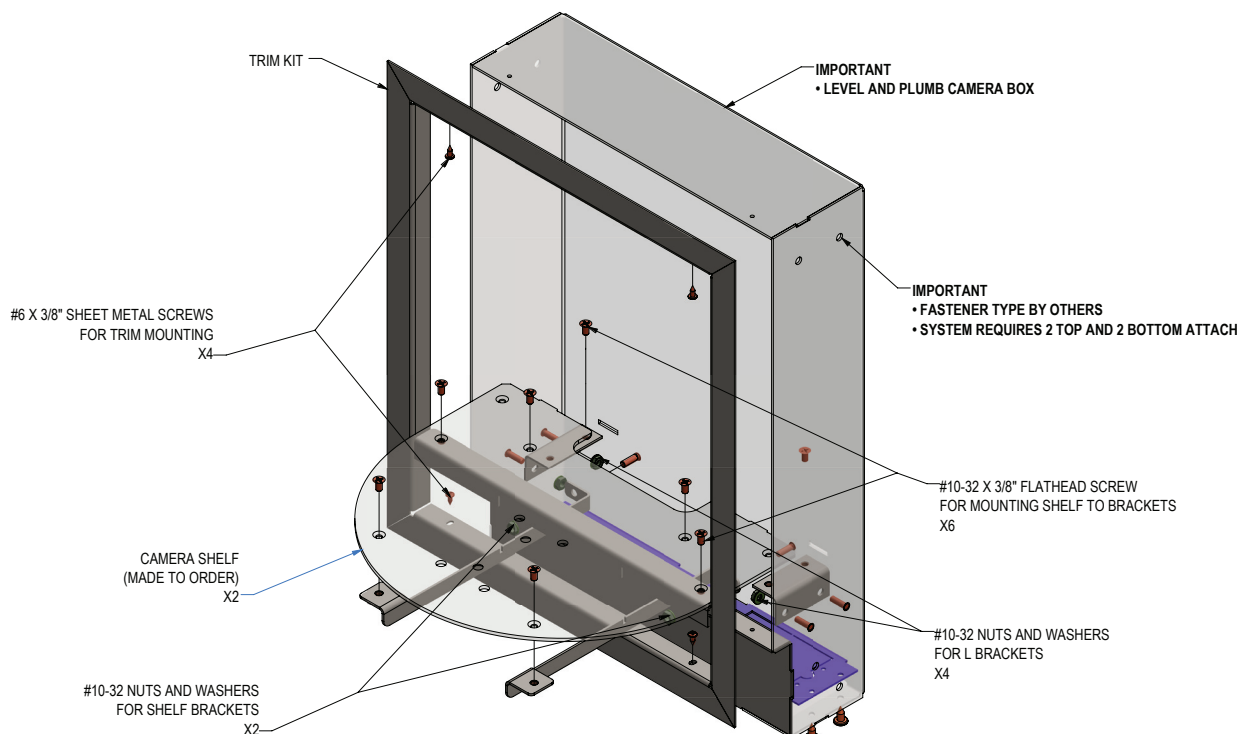
Part Number	Description	Typical Purchaser
RPWM-CL-CU-WH	In wall PTZ camera mount system for single large PTZ camera includes trim, in wall box, box insert, and camera shelf. Has 2 single gang knock outs, and 2x 1" conduit knock outs. - WHITE	Integrator
RPWM-CL-CU-BOX-KIT-WH	In wall PTZ camera box kit for single large PTZ camera includes trim, in wall box, and box single gang insert. Has 1 single gang knock out, and dual 3/4" knock outs. Requires camera plate sold separately - WHITE	General or electrical contractors (Split scope part 1 of 2)
RPWM-CL-CU-PLATE-WH	Camera mounting plate for in wall single large PTZ camera in CL-CU systems - WHITE	Integrator (Split scope part 2 of 2)

## Wallmate CL-CU-BK Model Numbers

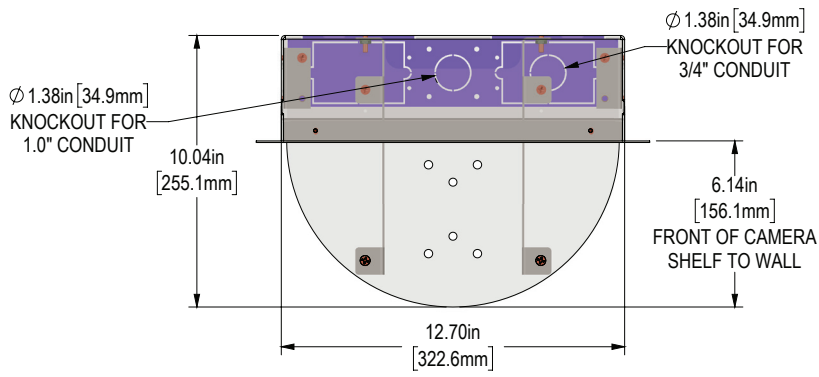
Wallmate RPWM-CL-CU-BK Kit with Universal Mounting Plate (as shown in images)

Part Number	Description	Typical Purchaser
RPWM-CL-CU-BK	In wall PTZ camera mount system for single large PTZ camera includes trim, in wall box, box insert, and camera shelf. Has 2 single gang knock outs, and 2x 1" conduit knock outs. - BLACK	Integrator
RPWM-CL-CU-BOX-KIT-BK	In wall PTZ camera box kit for single large PTZ camera includes trim, in wall box, and box single gang insert. Has 1 single gang knock out, and dual 3/4" knock outs. Requires camera plate sold separately - BLACK	General or electrical contractors (Split scope part 1 of 2)
RPWM-CL-CU-PLATE-BK	Camera mounting plate for in wall single large PTZ camera in CL-CU systems - BLACK	Integrator (Split scope part 2 of 2)

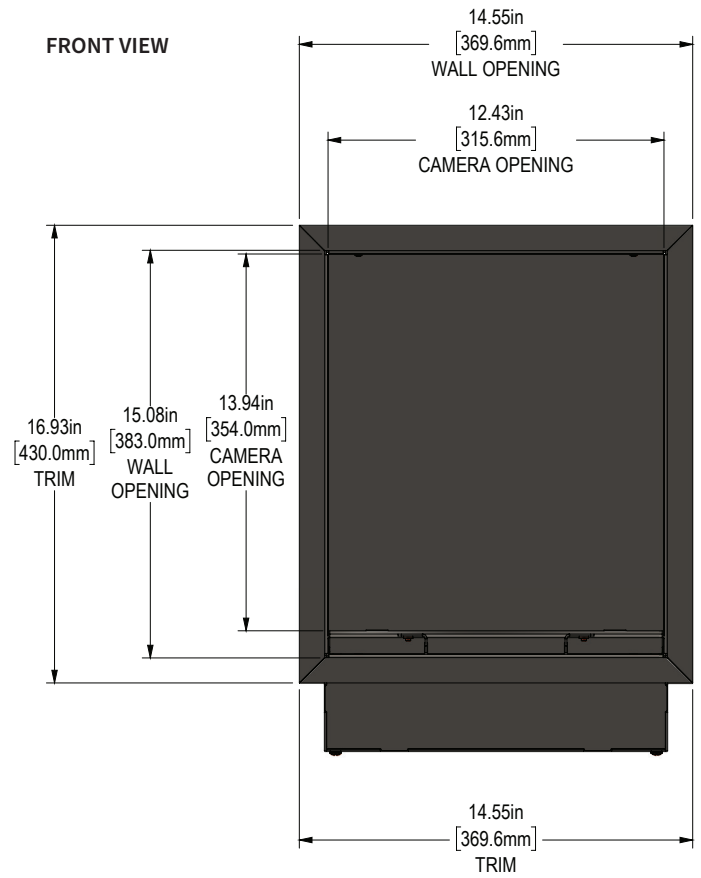
## Inside the Camera box CL-CU



**BOTTOM VIEW**



**FRONT VIEW**



**SIDE VIEW**

