

# WALLMATE ON WALL X-ARM

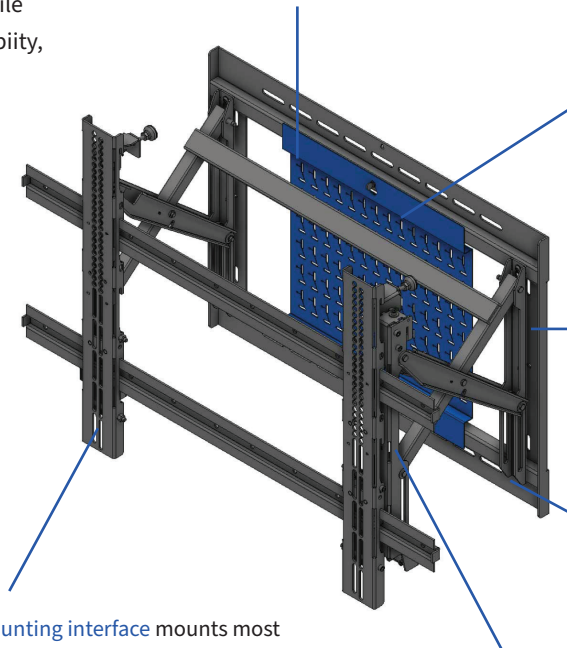
## On Wall Flat Panel Mounting System

### FOR DISPLAYS UP TO 225 LBS

The Wallmate W32B with Universal mount is an on wall system designed for flat panel displays, while maintaining the ultimate in display mount flexibility, and single person service.

- Manufactured with 11 to 14-gauge steel to create a rigid mount that will remain stable and level.
- Installation only requires simple tools such as a drill, screwdriver, and allen key.
- Mounts directly to wall surface.

Peripheral storage space makes it easy to mount AV gear behind the display.



Rapid deployment quick-remove peripheral plates enable faster and more reliable roll outs by facilitating AV equipment being pre-dressed, and pre-tested.

Wall mount plate has been designed to allow use of common standard Wallmate x-arms and accessories.

Includes lock system to hold unit closed on imperfect walls. X-arm includes plumb/leveling feature.

Universal mounting interface mounts most displays with VESA patterns, 200 x 200 to 800 x 600.

Slim X-arm system makes the display seem feather light, enabling easy, and safe service.

## Wallmate W32MAXB-XMS-UNV Product Specification

Min. Landscape or Portrait Panel Size	50" L / 65" P
Max Recommended Display Size Dia. 16:9	75" <sup>3</sup>
X-arm Opening Distance (wall to back of display)	14.4"
X-arm Closed Distance (wall to back of display)	4.87"
Horizontal Shift	+/-9.4" H <sup>6</sup>
Vertical Shift	+5.02"/-9.09" V <sup>6</sup>
Rotation of Display	0-6.5mm height adjust per VESA location
X-arm Plumb Alignment	-1.03° to 0
Display Weight Capacity	225 lbs.
Internal Mount Space X-arm (WxHxD)	23.75" x 10.5" x 3.68"
Peripheral Plate Dim (WxHxD inches)	16.5" x 17.4" x 0.75"
Wall Plate External Dimensions (WxHxD)	30" x 21.75" x 0.88"

Plate Attach Pattern to X-arm (WxH)	26.5" x 11"
Default VESA Pattern Width	200-800
Default VESA Pattern Height	200-600
Max Horizontal or Vertical	800 x 600
System Weight	57 lbs. (25.91 kg)

## Wallmate W32B-XMS-UNV Model Numbers

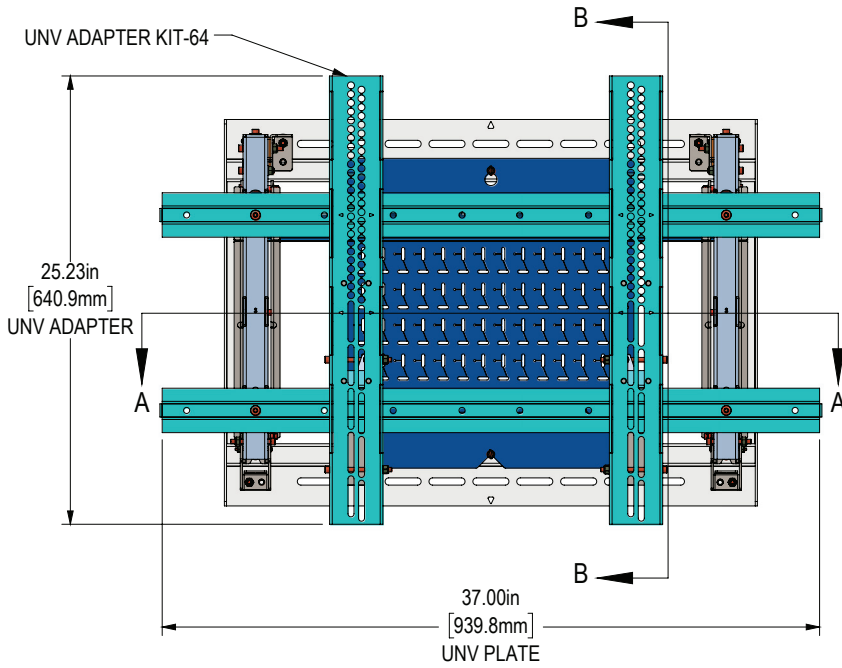
Wallmate RPWM-W32B-XMS-UNV Kit with Universal Mounting Plate (as shown in images)

Part Number	Description	Typical Purchaser
RPWM-W32B-XMS-UNV	Surface mounted W32B series system for 225 lbs. displays. Includes wall attach bracket, peripheral mount plate, Slim x-arm, touch kit, and Universal mount.	Integrator

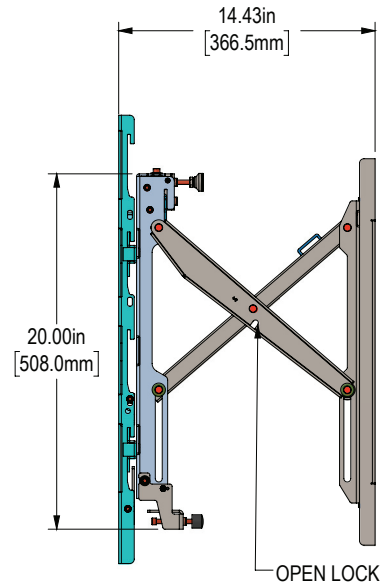
Additional Wallmate 32BF Accessories and Kits

Part Number	Description
RPWM-UNV-64	Universal mount assembly
RPWM-32B-FLIP	FLIP up addition for Wallmate 32/32MAX series - Holds an offset plate or unv mount
RPWM-32B-PM	Wallmate 32B series peripheral device mounting plate
RPWM-32BF-PM2	Dual layer peripheral device mounting plate for Wallmate 32BF and 32BS
RPWM-32BF-PMFLX-1	Wallmate 32BF peripheral device mounting plate for Crestron Flex systems
RPWM-32BF-PMFLX2-1	Dual layer peripheral device mounting plate, Wallmate 32BF for Crestron Flex systems
RPWM-LOCK-S	Wallmate Slim x-arm lock Kit
RPWM-TOUCH-S	Wallmate Slim x-arm touch kit
RPWM-TILT	Wallmate B tilt brackets
RPWM-SPCR-(S, M, L or OFFSET)	Pair of spacers for Wallmate x-arms (small, medium, large, or custom)
RPWM-UNV64-C#	VESA converter
RPWM-UC-SPK-(A, B, or L/R)	Wallmate (above, below, or left/right) display loudspeaker mount kit for Universal mount
RPWM-UC-UNVS-KCAM	Universal mount camera kit. Call for matching number.
Kits	Description
RPWM-W32B-XMS-OFFSET	Wallmate 32B Surface mount system with offset plate

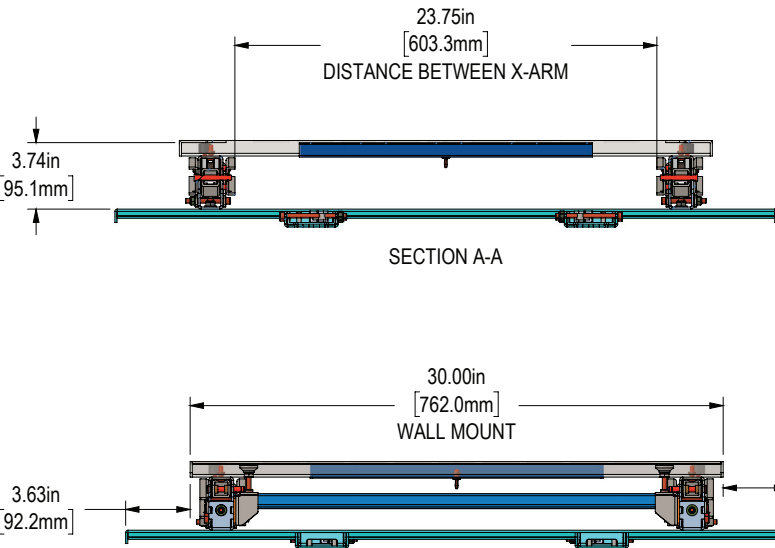
FRONT VIEW



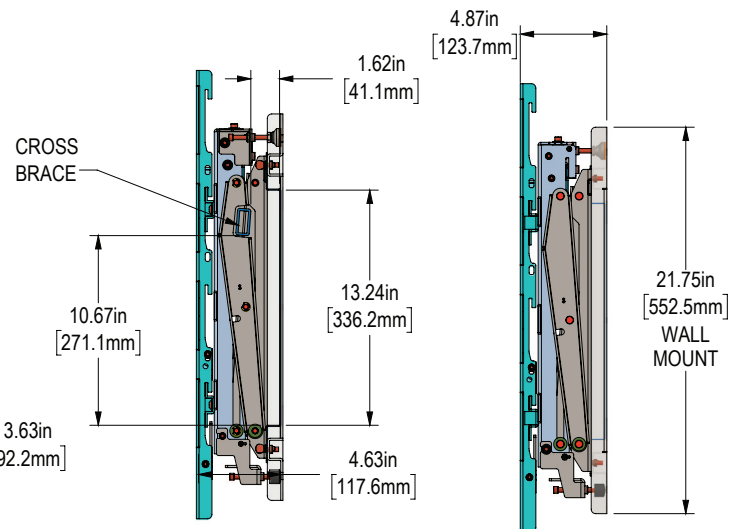
SIDE VIEW (X-ARMS OPEN)



TOP VIEW



SIDE VIEW (X-ARMS CLOSED)



TOP VIEW

\*3: Larger display sizes are possible but may impede access to the peripheral.  
 \*6: Shift range based on 600mmW x 400mmH hole pattern.  
 For UNVM based on 300mmW x 300mmH holes pattern.  
 For UNV-158 based on 900mmW x 600mmH holes pattern.

CONTACT US

rpvisuals.com/wallmate  
 info@rpvisuals.com  
 (714) 991-6400

