

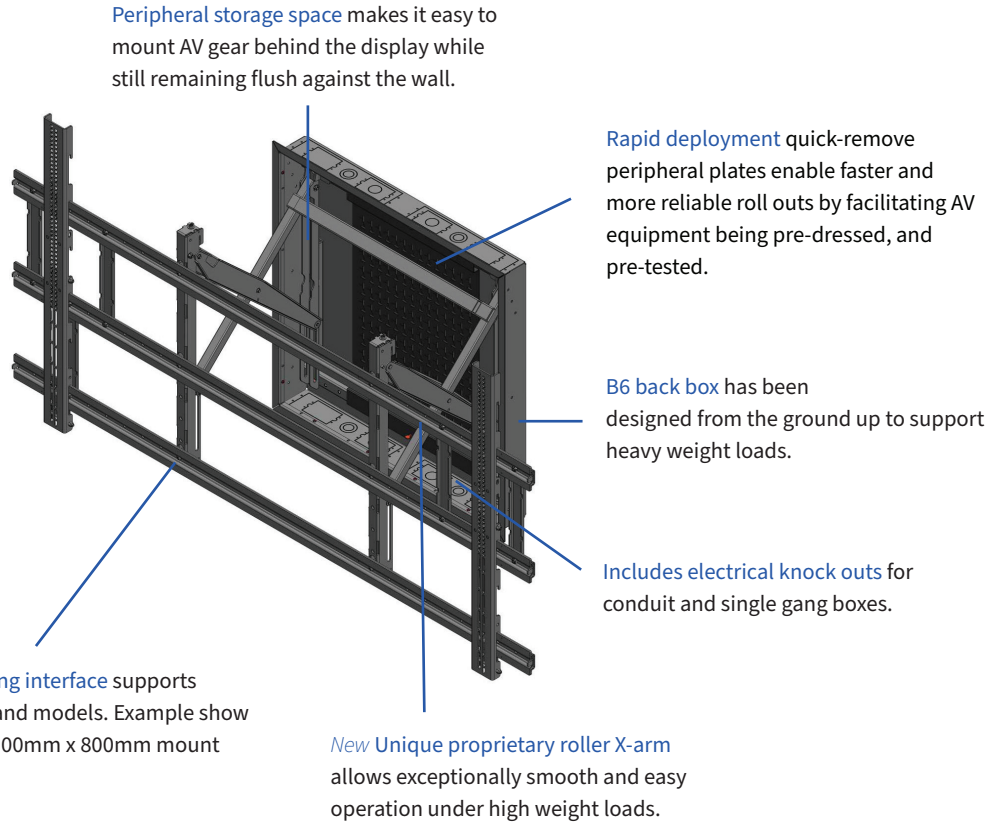
WALLMATE B6

In-Wall Flat Panel Mounting System

FOR DISPLAYS UP TO 425 LBS*¹⁰

The Wallmate 32MAXB6 with the Large Display Universal mount, UNV-158, is a double stud bay system designed to hold almost every flat panel display above 85", while maintaining a low profile from the wall and position adjustment.

- X-arm has been redesigned to enable close as low as 1.78".
- Manufactured with 11 to 14-gauge steel to create a rigid mount that will remain stable and level.
- Installation only requires simple tools such as a drill, screwdriver, and Allen key.



Wallmate 32MAXB6-XMR-UNV-158 Product Specifications

Structure In Wall	Required. Back box is capable of 820 lbs. load. (recommend RPV H-frame)
Min. Landscape Size	85"
Max Recommended Display Size Dia. 16:9	120"
Max Display Size Dia. 21:9	110"
Max Display Thickness to Hit ADA	2.29"
X-arm Opening Distance (wall to back of display)	16.71" ^{*9}
X-arm Closed Distance (wall to back of display)	1.77"
Horizontal Shift	+/- 12.5" H ^{*6}
Vertical Shift	+/- 7.38"/-9.71" V ^{*6}
Rotation of Display	0-6.5mm height adjust per VESA location
X-arm Plumb Alignment	-0.62° to 0°
Display Weight Capacity of UNV-158	425 lbs.* ¹⁰

Internal Mount Space X-arm (WxHxD)	23.75" x 19.44" x 3.68"
Peripheral Plate Dim (WxHxD inches)	17.5" x 26.75" x 0.75"
Box External Dimensions – no trim (WxHxD)	30.38" x 30.38" x 3.81"
Box & Trim External Dimensions (WxHxD)	32.1" x 32.1" x 3.88"
Plate Attach Pattern to X-arm (WxH)	26.5" x 11" x 11"
1-Gang Box Positions (top and bottom)	4 each
Conduit Knock Outs (top)	4 (qty. 2 x 1", qty. 2 x combo 0.75"/1.25")
Conduit Knock Outs (bottom)	4 (qty. 2 x 1", qty. 2 x combo 0.75"/1.25")
AUX Tray Position	2
1" Metal Multi-Piece Trim	Included with back box
System Weight	152 lbs.

Wallmate 32MAXB6-XMR-UNV-158 Model Numbers

Wallmate RPWM-32MAXB6-XMR-UNV-158 Kit with Universal 158 Mounting Plate (as shown in images)

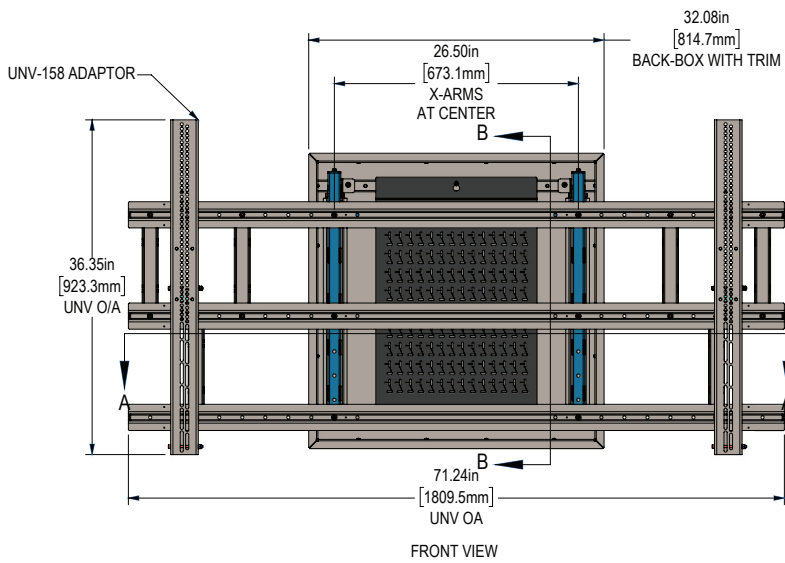
Part Number	Description	Typical Purchaser
RPWM-32MAXB6-XMR-UNV-158	Wallmate 32MAXB6 system, includes B6 back box, peripheral plate, box trim bezel, heavy duty roller x-arm, and Universal 158 mounting system. 425 lbs. capacity. For displays 85" up to 110", with VESA up to a max of 1700 x 800. Closes 1.77" back of display to wall.	Integrator
RPWM-32MAXB6-BOX-KIT	Metal back box for Wallmate 32MAXB6 systems. Mounts in 3.5" depth. Includes black peripheral plate and black trim bezel. Integrated XMR heavy duty x-arm mounting points, 8 single gang box knock outs, 4 multi size conduit knock outs, 4 1" conduit knock outs, 2 knock outs for bottom auxiliary tray. Refer to structural engineer for wall build out. Gray box color. Up to 820 lbs. (372.7kg) on x-arm. X-arm and interface sold separately.	General or electrical contractors (Split scope part 1 of 2)
RPWM-32MAXB6-XMR-UNV-158-NB	Wallmate 32MAXB6 system, includes heavy duty roller x-arm and Universal 158 mounting system. 425 lbs. capacity. For displays 85" up to 110", with VESA up to a max of 1700 x 800. Closes 1.77" back of display to wall. Back box kit sold separately.	Integrator (Split scope part 2 of 2)

Additional Wallmate 32MAXB6 Accessories and Kits

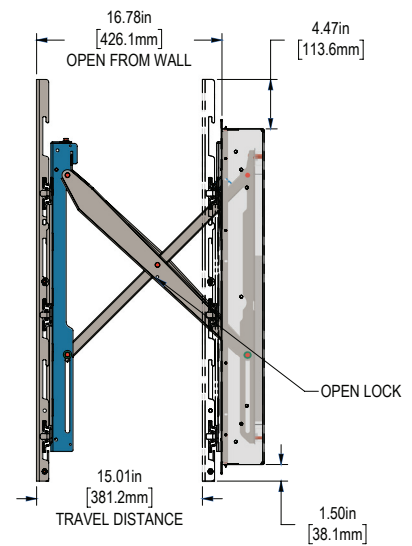
Part Number	Description
RPWM-32MAXB6-HFRAME	Wallmate 32MAXB6 in wall tube steel H-frame structure
RPWM-UNV-158	Wallmate B6-XMR Universal mount
RPWM-32MAXB6-PM	Peripheral device mounting plate for Wallmate 32MAXB6
RPWM-32MAXB6-PM2	Dual layer peripheral device mounting plate for Wallmate 32MAXB6
RPWM-32MAXB-BZL#	Wallmate 32MAXB deep trim
RPWM-32MAXB-CVR	Blank back box cover plate for Wallmate 32MAXB series
RPWM-LOCK-R	Wallmate B6 XMR x-arm lock Kit
RPWM-32MAXB6-HSB-BEARING	Roller bearing B6 series easy roll shift system
RPWM-32MAXB6-FLIP	FLIP up addition for Wallmate 32MAXB6 series - Holds UNV-158, or OFFSET plates
RPWM-TOUCH-R	Wallmate B6 XMR x-arm touch kit

RPWM-EUPWR	European power adapter plate with 2 openings
RPWM-EUPWR-TRI	European power adapter plate with 3 openings
RPWM-AUXBOX	Auxilliary box
RPWM-UC-SPK-(A, B, or L/R)	Wallmate (above, below, or left/right) display loudspeaker mount kit for Universal mount
RPWM-UC-UNVS-KCAM	Universal mount camera kit. Call for matching number.
Kits	Description
RPWM-32MAXB6-XMR-OFFSET	Large flat panel display OFFSET plate - Pull out Wallmate 32MAXB6 kit

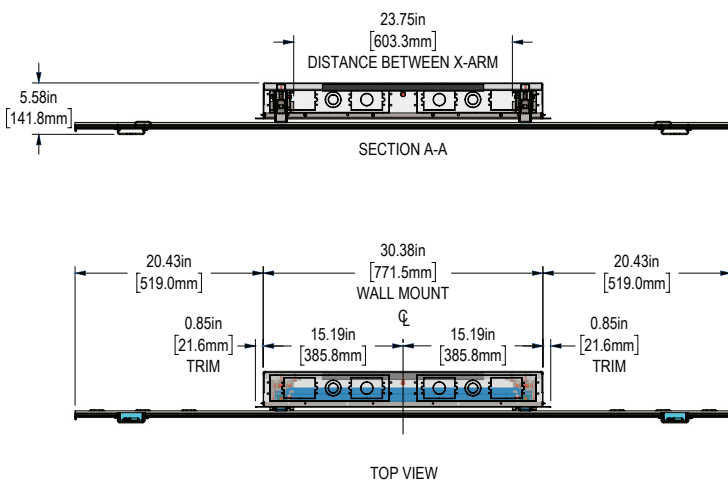
FRONT VIEW



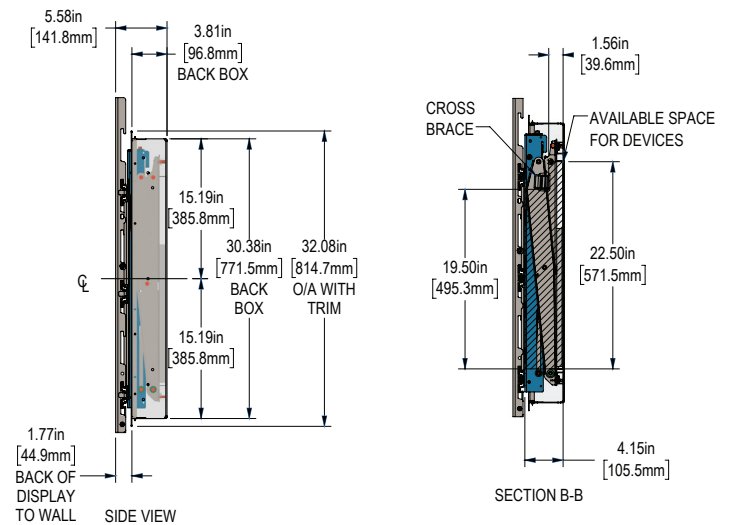
SIDE VIEW (X-ARMS OPEN)



TOP VIEW



SIDE VIEW (X-ARMS CLOSED)



*6: Shift range based on 600mmW x 400mmH hole pattern.
 For UNVM based on 300mmW x 300mmH holes pattern.
 For UNV-158 based on 900mmW x 600mmH holes pattern.
 *9: Depth may change by interface.
 *10: When 32MAX series back boxes are installed in 14 gauge studs, the weight limit is limited to 350 lbs.

CONTACT US

rpvisuals.com/wallmate
 info@rpvisuals.com
 (714) 991-6400



Wallmate 32MAXB6-XMR-UNV-158 for 110 Display

Maximum vertical & horizontal shifts (as shown in images)



Wallmate 32MAXB6-XMR-UNV-158 for 105 Display

Maximum vertical & horizontal shifts (as shown in images)



Wallmate 32MAXB6-XMR-UNV-158 for 98 Display

Maximum vertical & horizontal shifts (as shown in images)

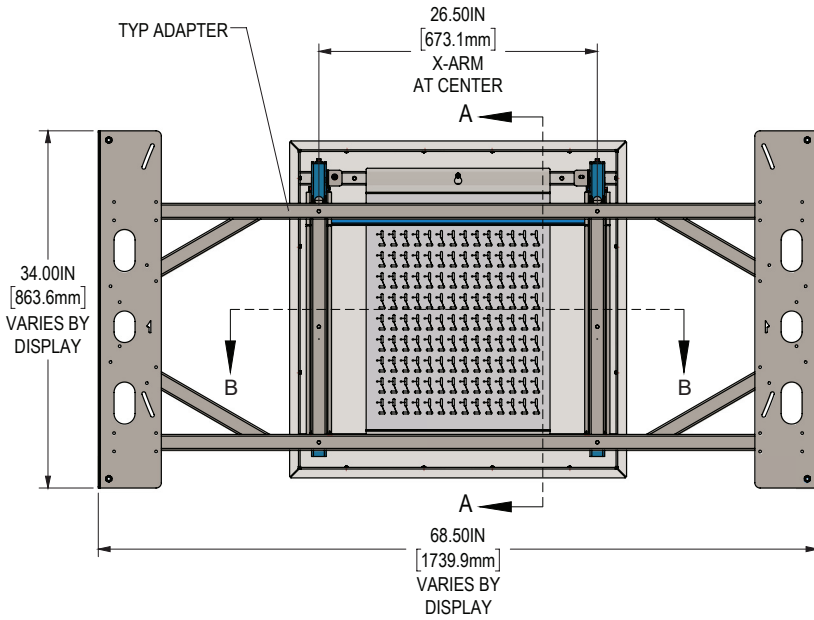


Wallmate 32MAXB6-XMR-UNV-158 for 85/86 Display

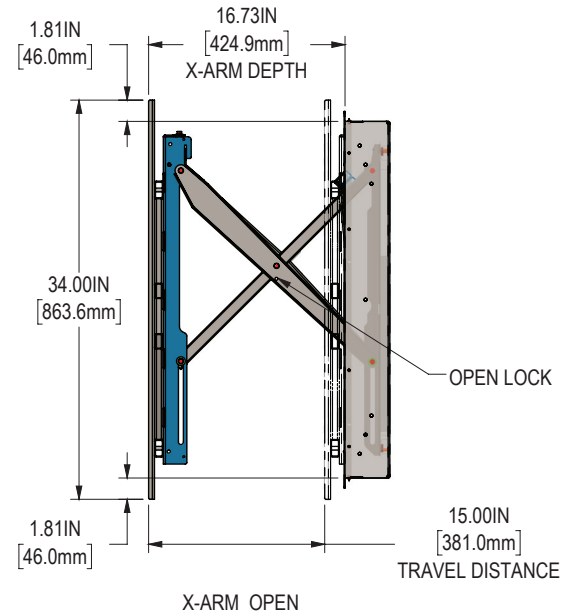
Maximum vertical & horizontal shifts (as shown in images)



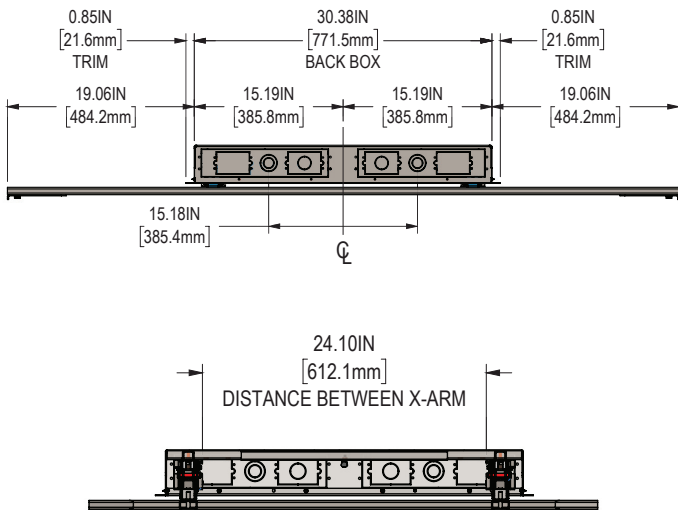
FRONT VIEW



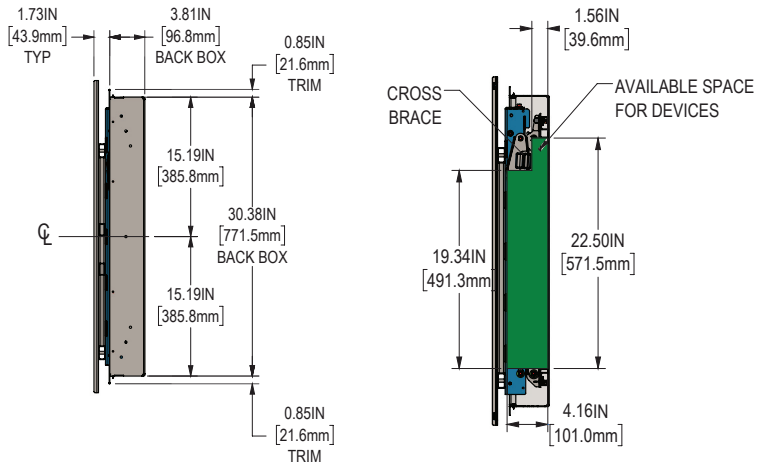
SIDE VIEW (X-ARMS OPEN)



BOTTOM VIEW



SIDE VIEW (X-ARMS CLOSED)



CONTACT US

rpvisuals.com/wallmate
 info@rpvisuals.com
 (714) 991-6400

- *1: Mounting is possible. Call 714-991-6400 for details.
- *2: Call for design assistance.
- *3: Larger display sizes are possible but may impede access to the peripheral mounting plate.
- *4: Changing from flat panels to LED systems requires a different mount interface. Call for design assistance.
- *5: LED system vary greatly for mounting requirements. Exact LED weight TBD based on mount interface requirements.
- *6: Shift range based on 600mmW x 400mmH hole pattern.
- *7: Shift based on optional ADA-HVSB mounting plate.
- *8: Estimated weight, weight varies by LED. Call for specific weights.
- *9: Depth may change by interface.
- *10: When 32MAX series back boxes are installed in 14-gauge studs, the weight limit is limited to 350 lbs.

