

# WALLMATE FLUSH

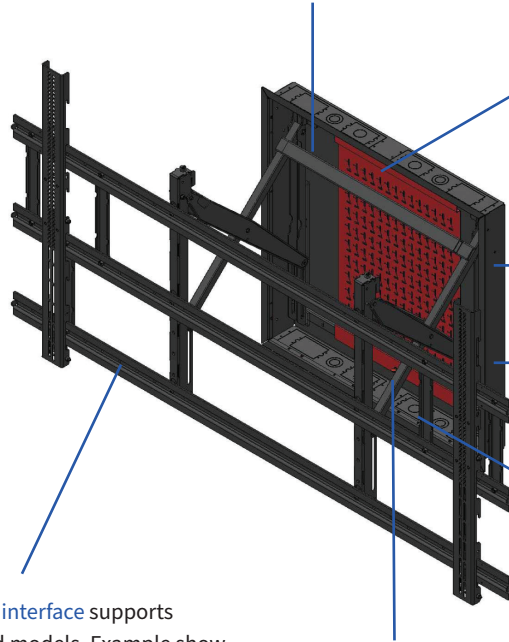
## Flush In-Wall Flat Panel Mounting System

### FOR DISPLAYS UP TO 350 LBS

The Wallmate 32MAXBF with the Large Display Universal mount, UNV-158, is a double stud bay system designed to hold almost every flat panel display above 85", while maintaining a low profile from the wall and position adjustment.

- Manufactured with 11 to 14-gauge steel to create a rigid mount that will remain stable and level.
- Installation only requires simple tools such as a drill, screwdriver, and Allen key.
- X-arm has been redesigned to enable close as low as 1.78".

Peripheral storage space makes it easy to mount AV gear behind the display while still remaining flush against the wall.



Rapid deployment quick-remove peripheral plates enable faster and more reliable roll outs by facilitating AV equipment being pre-dressed, and pre-tested.

Flush back box can be install in a 14-gauge stud wall.

Low profile Flush back box enables x-arm front to close 0.48" from the wall.

Includes electrical knock outs for conduit and single gang boxes.

UNV-158 mounting interface supports multiple makes and models. Example show is for an offset 1700mm x 800mm mount patterns.

New Unique proprietary roller X-arm system makes the display seem feather light, enabling easy, and safe service.

## Wallmate 32MAXBF-XMR-UNV-158 Product Specification

Structure In Wall	14-gauge studs or rpv HFRAME in wall structure
Stud Depth In Wall	3.5" or greater
Min. Landscape Panel Size	85"
Max Recommended Display Size Dia. 16:9	115"
Max Display Size Dia. 21:9	110"
Max Display Thickness Hit ADA - Non Shift	2.29"
X-ARM Opening Distance (wall to back of display)	16.78" <sup>9</sup>
X-ARM Closed Distance (wall to back of display)	1.77"
Horizontal Shift	+/- 12.5" <sup>6</sup>
Vertical Shift	+/- 7.38"/-9.71" V <sup>6</sup>
Rotation of Display	0-6.5mm height adjust per VESA location
X-ARM Plumb Alignment	-0.62° to 0°
Display Weight Capacity of System	350 lbs.

Internal Mount Space X-ARM (WxHxD)	23.75" x 19.34" x 4.16"
Peripheral Plate Dim (WxHxD inches)	17.5" x 26.75" x 0.5"
BOX External Dimensions – no trim (WxHxD)	30.38" x 30.38" x 3.81"
BOX & Trim External Dimensions (WxHxD)	32.1" x 32.1" x 3.89"
Plate Attach Pattern to X-ARM (WxH)	26.5" x 11" x 11"
Default VESA Pattern Width	200-1700
Default VESA Pattern Height	200-800
1-Gang Box Positions (top and bottom)	4 each
Conduit Knock Outs (top)	4 (qty. 2 x 1", qty. 2 x combo 0.75"/1.25")
Conduit Knock Outs (bottom)	4 (qty. 2 x 1", qty. 2 x combo 0.75"/1.25")
AUX Tray Position	2
1" Metal Multi-Piece Trim	Included with back box
System Weight	152 lbs.

## Wallmate 32MAXBF-XMR-UNV-158 Model Numbers

Wallmate RPWM-32MAXBF-XMR-UNV-158 Kit with Universal Mounting Plate (as shown in images)

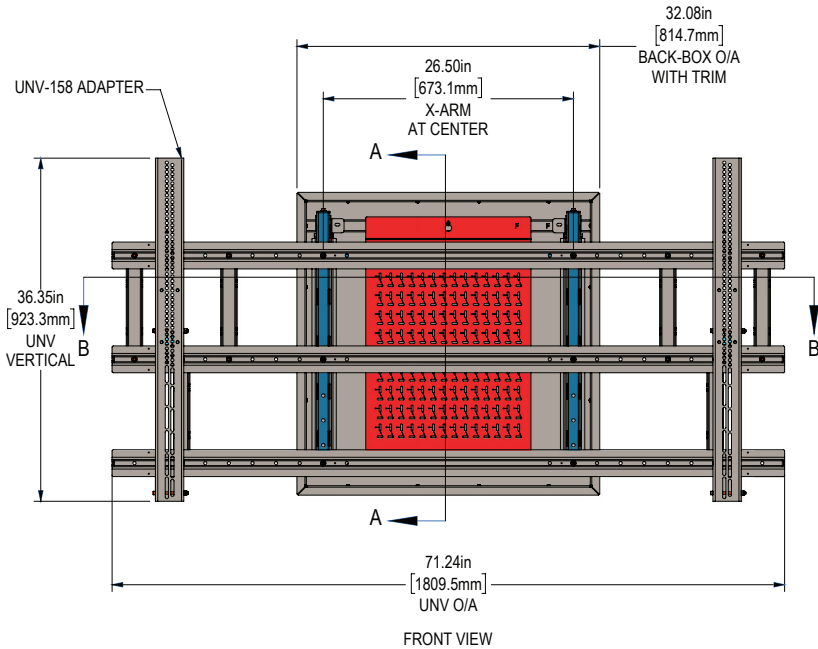
Part Number	Description	Typical Purchaser
RPWM-32MAXBF-XMR-UNV-158	Wallmate 32MAXBF system, includes BF back box, peripheral plate, box trim bezel, large display spacer kit, heavy duty roller x-arm, and Universal 158 mounting system. 350 lbs capacity. For displays 85" up to 110", with VESA up to a max of 1700 hor. x 800 vert.. Closes to 1.77" back of display to wall..	Integrator
RPWM-32MAXBF-BOX-KIT	Metal back box for Wallmate 32MAXBF systems. Mounts in standard 3.5" depth studs, includes peripheral mounting plate and trim bezel. Integrated mounting points, 8 single gang box knock outs, 4 multi size conduit knock outs, 4 1" conduit knock outs, 2 knock outs for bottom auxiliary tray. Mounts direct to 14 gauge studs. 325 lbs. capacity.	General or electrical contractors (Split scope part 1 of 2)
RPWM-32MAXBF-XMR-UNV-158-NB	Wallmate 32MAXBF system, includes large display spacer kit, heavy duty roller x-arm, and Universal 158 mounting system. 350 lbs capacity. For displays 85" up to 110", with VESA up to a max of 1700 hor. x 800 vert.. Closes to 1.77" back of display to wall. Back box sold separately.	Integrator (Split scope part 2 of 2)

### Additional Wallmate 32MAXBF Accessories and Kits

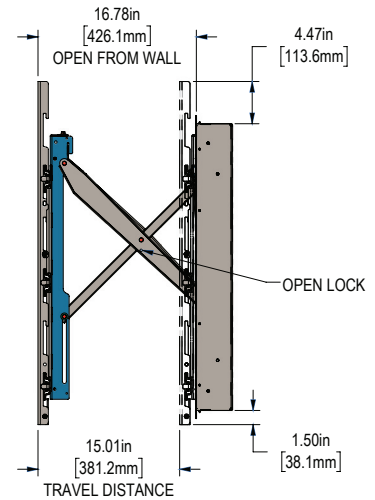
Part Number	Description
RPWM-UNV-158	Wallmate B6-XMR Universal mount
RPWM-32MAXBF-PMFLX-1	Single Layer Peripheral Plate, Wallmate 32MAXBF for Crestron Flex Systems
RPWM-32MAXBF-PMFLX2-1	Dual Layer Peripheral Plate, Wallmate 32MAXBF for Crestron Flex Systems
RPWM-32MAXBF-PM	Peripheral Plate for Wallmate 32MAXBF
RPWM-32MAXB-BZL#	Wallmate 32MAXB Deep Trim
RPWM-32MAXB-CVR	Blank back box cover plate for Wallmate 32MAXB Series
RPWM-UC-UNVS-KCAM	Universal mount, Camera mounting kit.
RPWM-UC-TNVS-KCAM	TNV plate Camera mounting for Wallmate 32/32MAX systems.

RPWM-AUXBOX	Auxiliary box
RPWM-AUXBOX-F	Fiber access AUXBOX
RPWM-EUPWR	European Power Adapter plate
RPWM-UC-SPK-LR	Wallmate Left/Right loudspeaker mount kit for Universal mount
RPWM-UC-SPK-B	Wallmate Below display loudspeaker mount kit for Universal mount

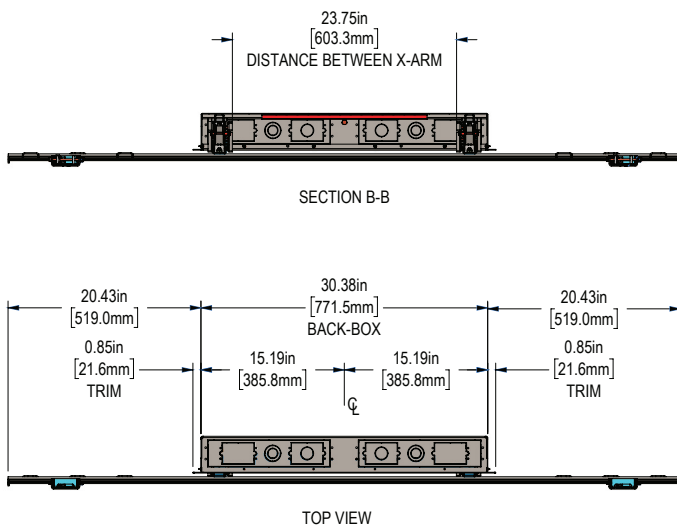
**FRONT VIEW**



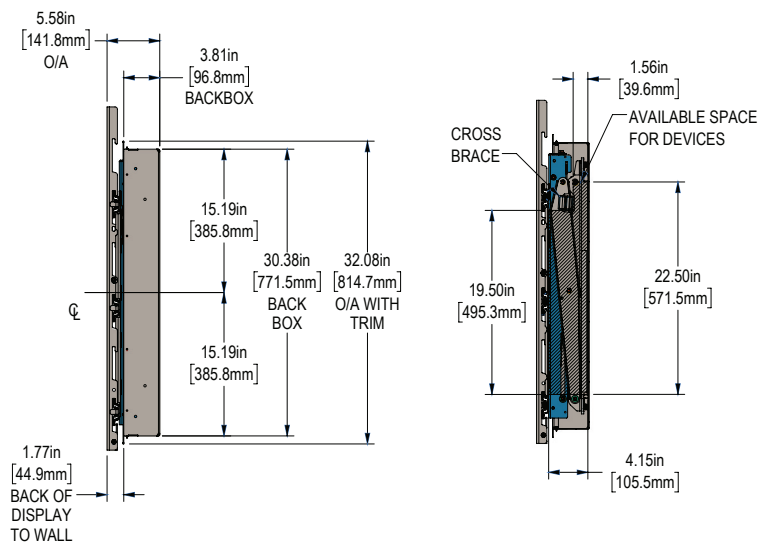
**SIDE VIEW (X-ARMS OPEN)**



**BOTTOM VIEW**



**SIDE VIEW (X-ARMS CLOSED)**



\*6: Shift range based on 600mmW x 400mmH hole pattern.  
 For UNVM based on 300mmW x 300mmH holes pattern.  
 For UNV-158 based on 900mmW x 600mmH holes pattern.  
 \*9: Depth may change by interface.

**CONTACT US**

rpvisuals.com/wallmate  
 info@rpvisuals.com  
 (714) 991-6400

